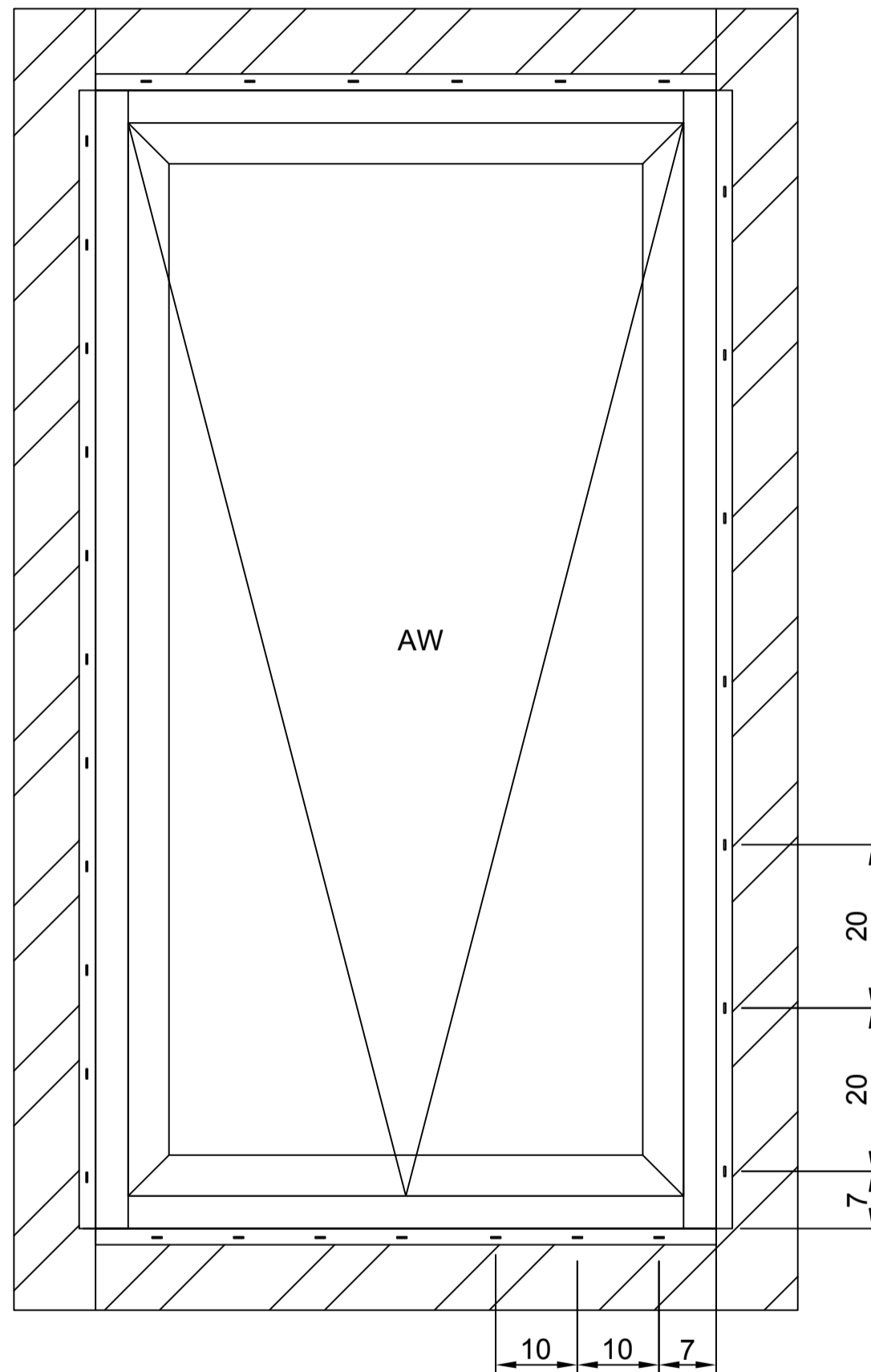


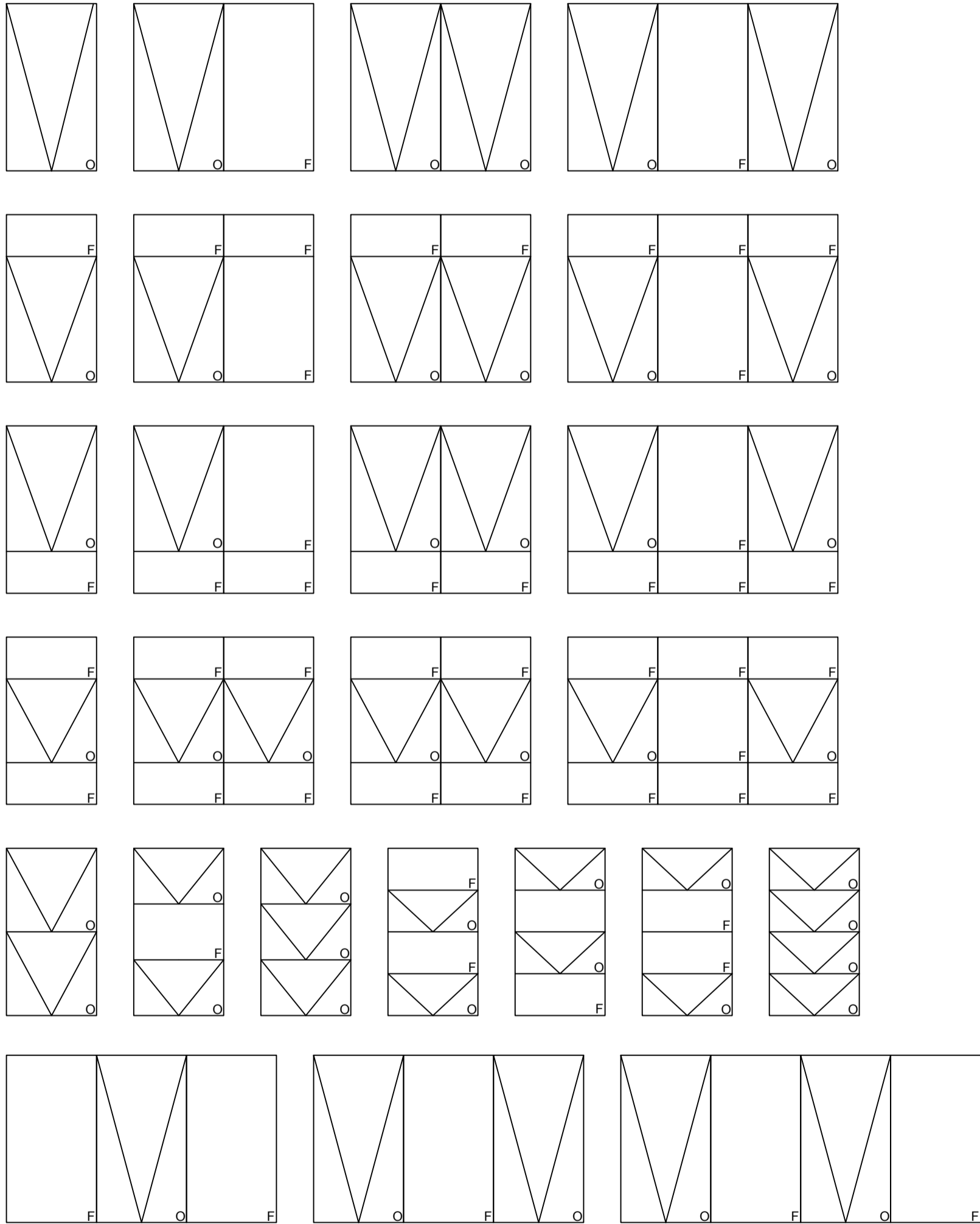
# C60 Series Awning Window

## Product Brief Introduction



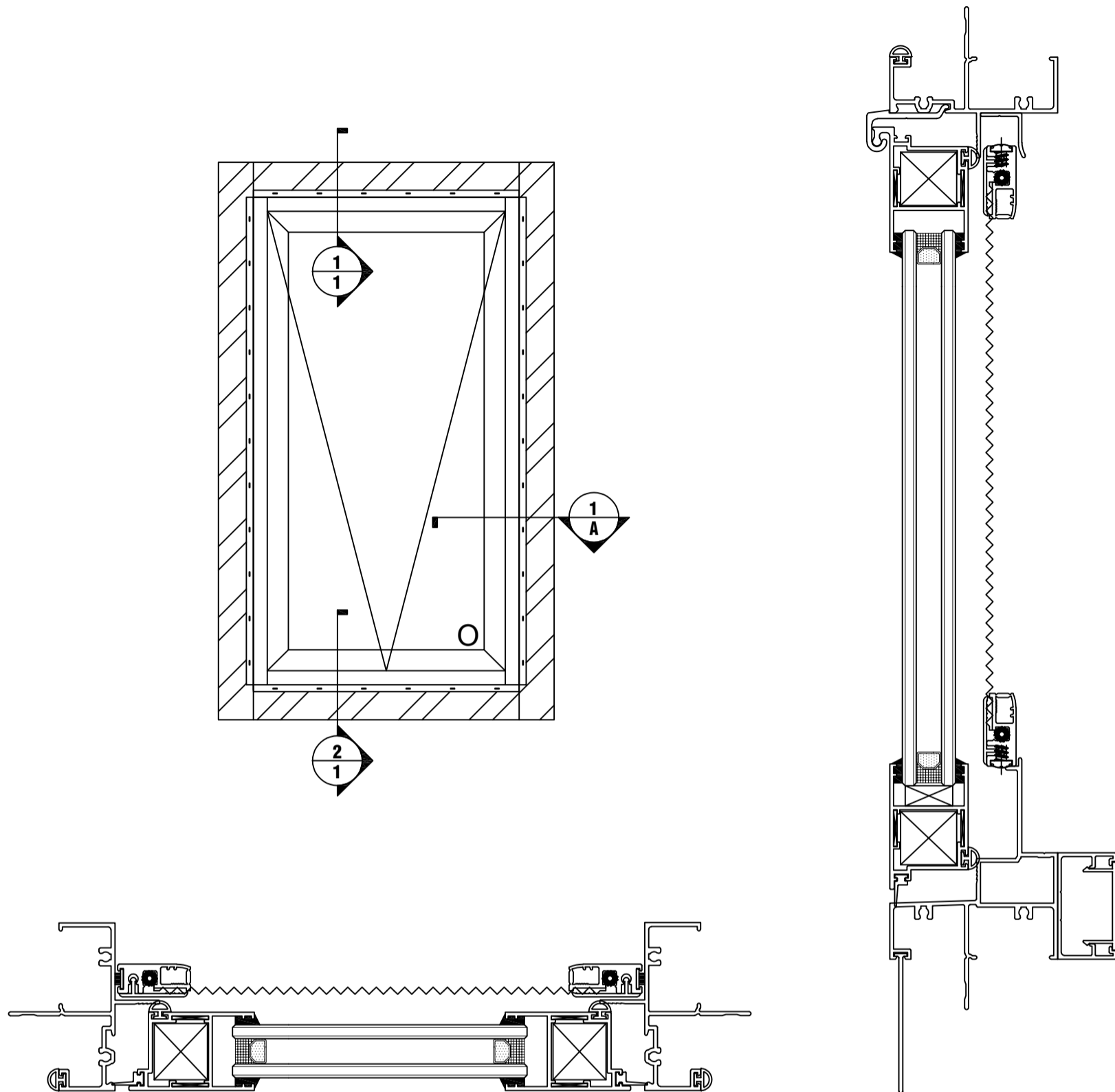
# C60 Series Awning Window

## Product Brief Introduction



# C60 Series Awning Window

## Product Brief Introduction



### COMPATIBLE WITH

- C60 Series Fix Window

### Features & Benefits

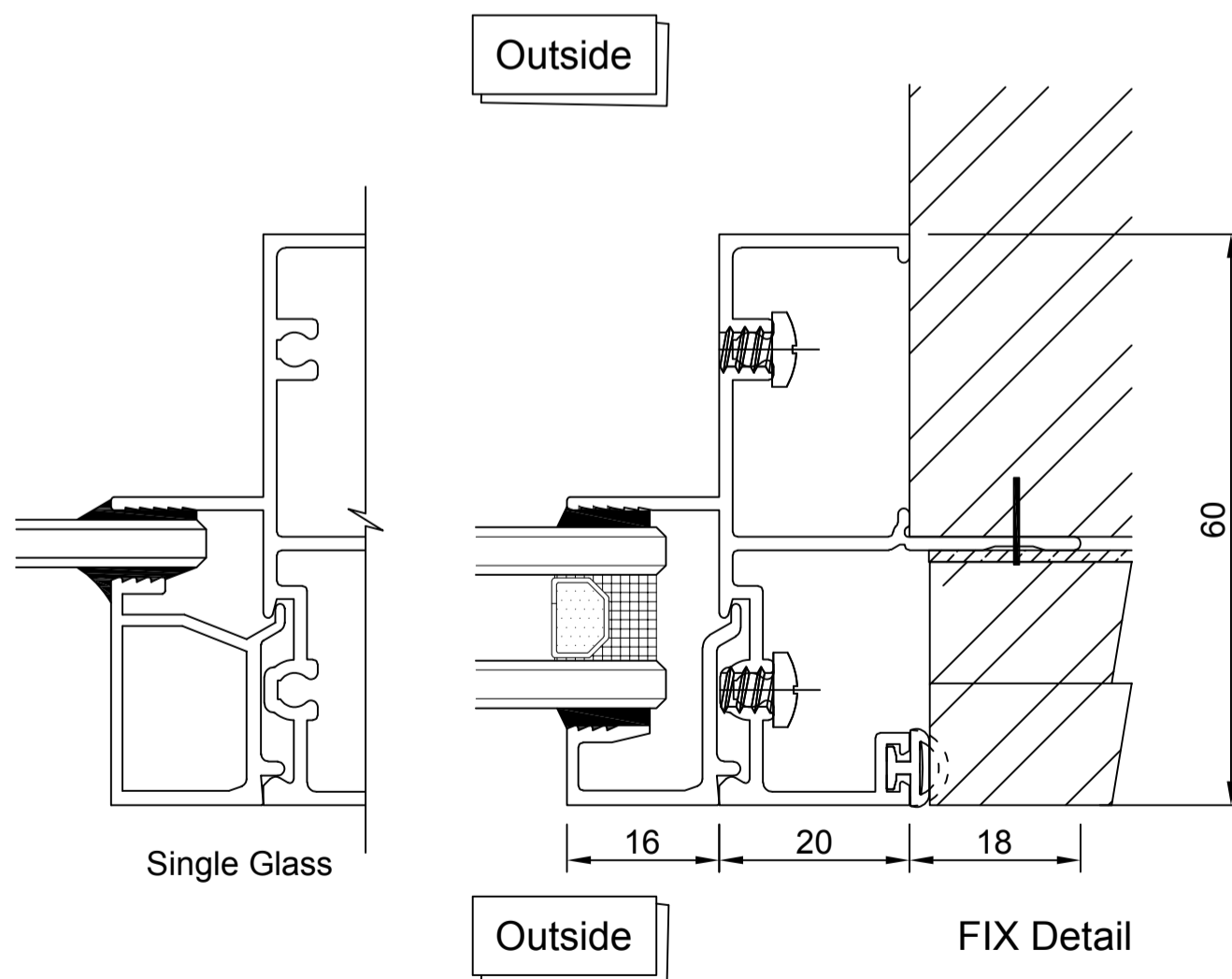
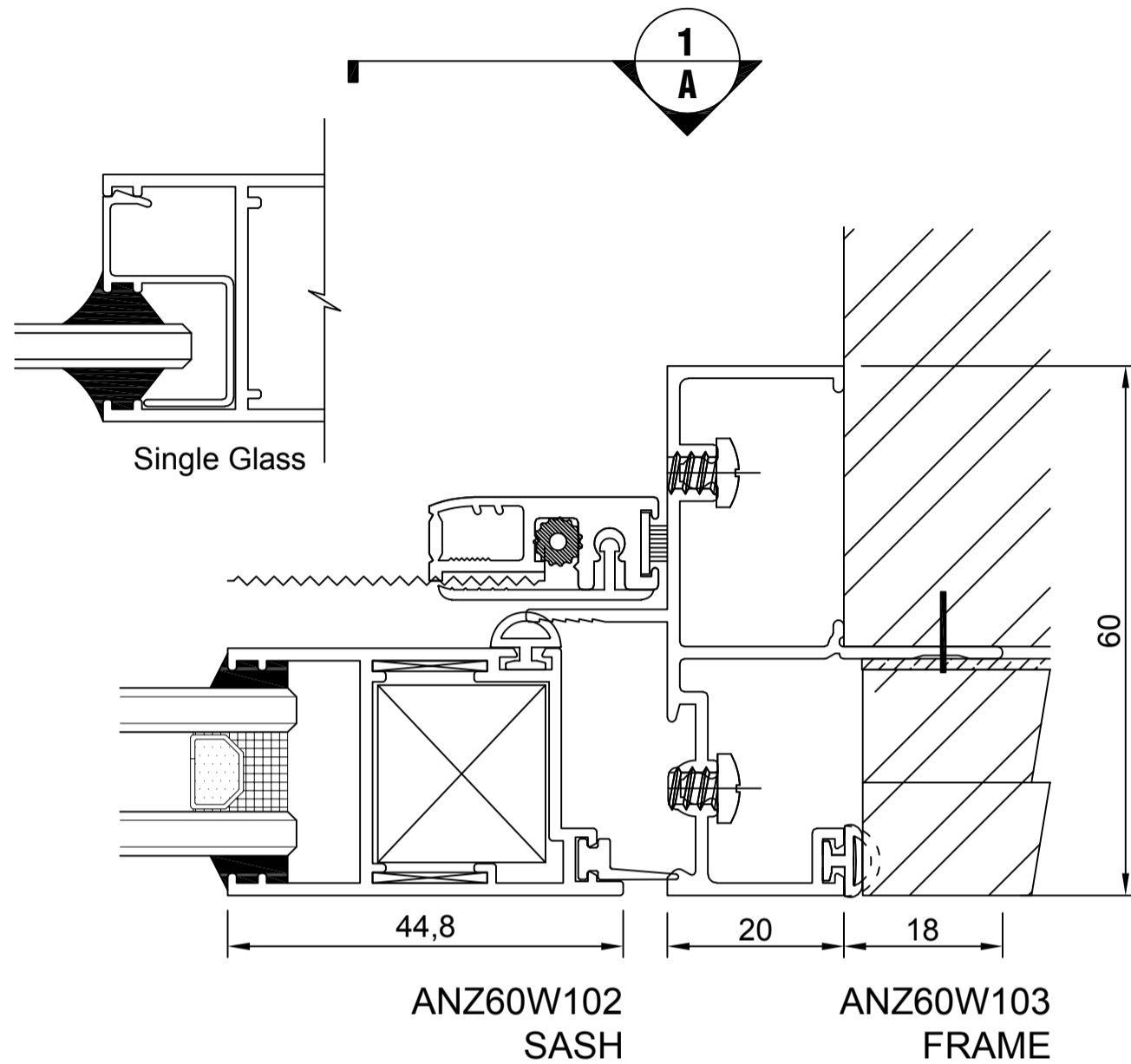
- 60mm X 20mm Frame.
- Architectural Applications.
- Supports Single Glazing.

### GLAZING DETAILS

- 10.78Lam
- 5Clr;5Obs
- 6Clr;6Obs
- 5Clr/9Ar/ 5Clr
- 5Obs /9Ar/ 5Clr
- 5Low-E/9Ar/ 5Clr

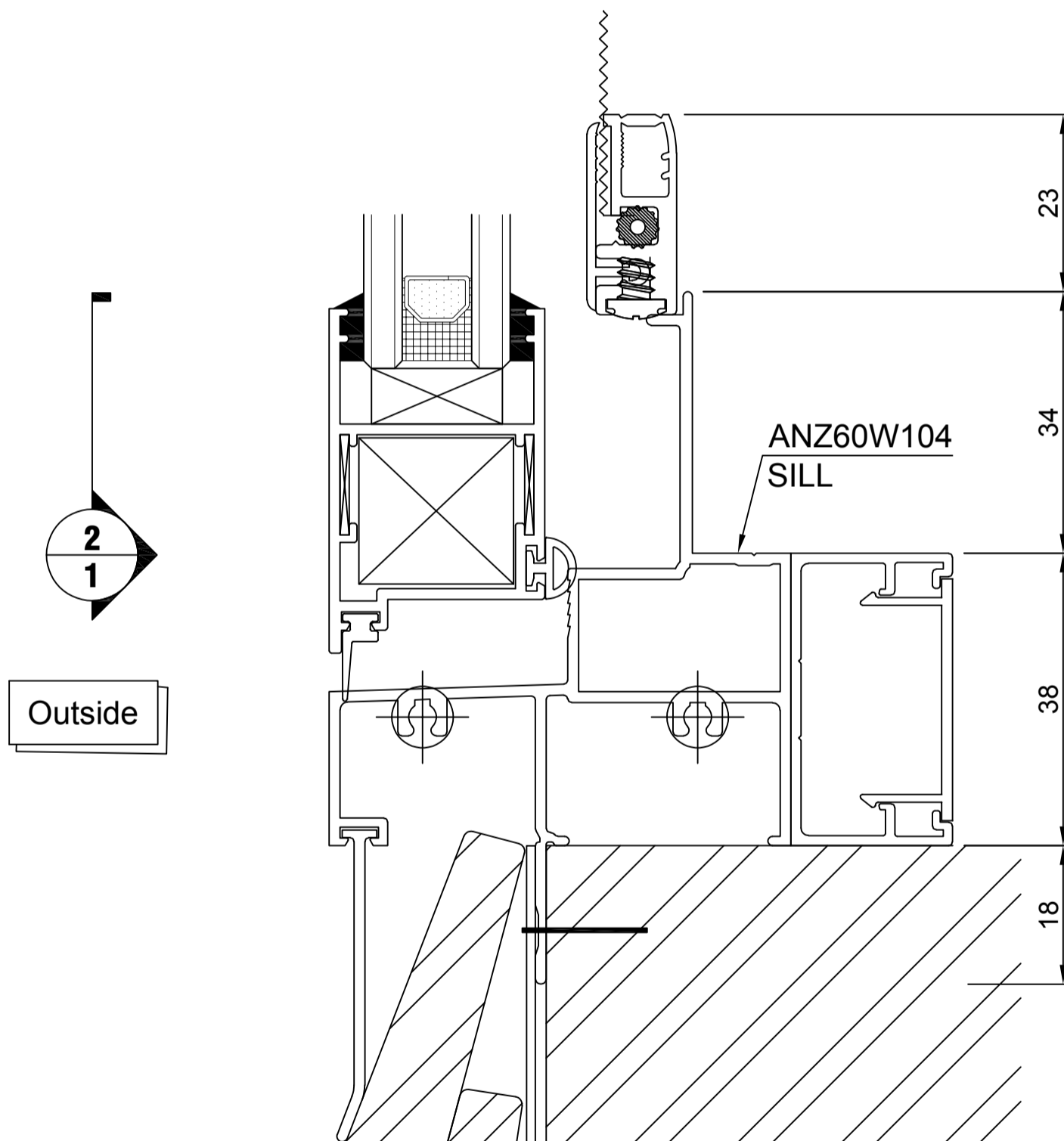
# C60 Series Awning Window

## Product Brief Introduction



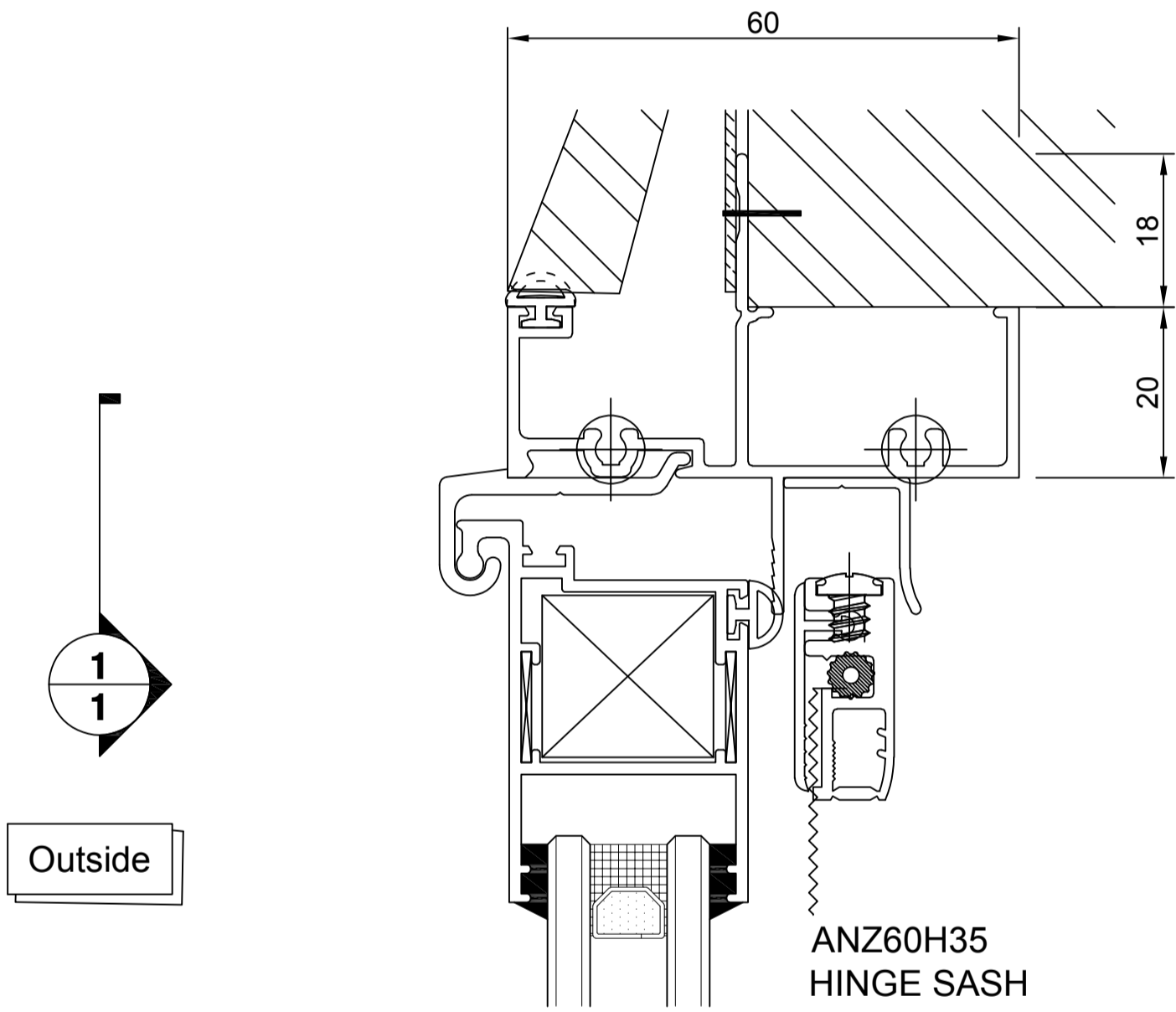
# C60 Series Awning Window

## Product Brief Introduction



# C60 Series Awning Window

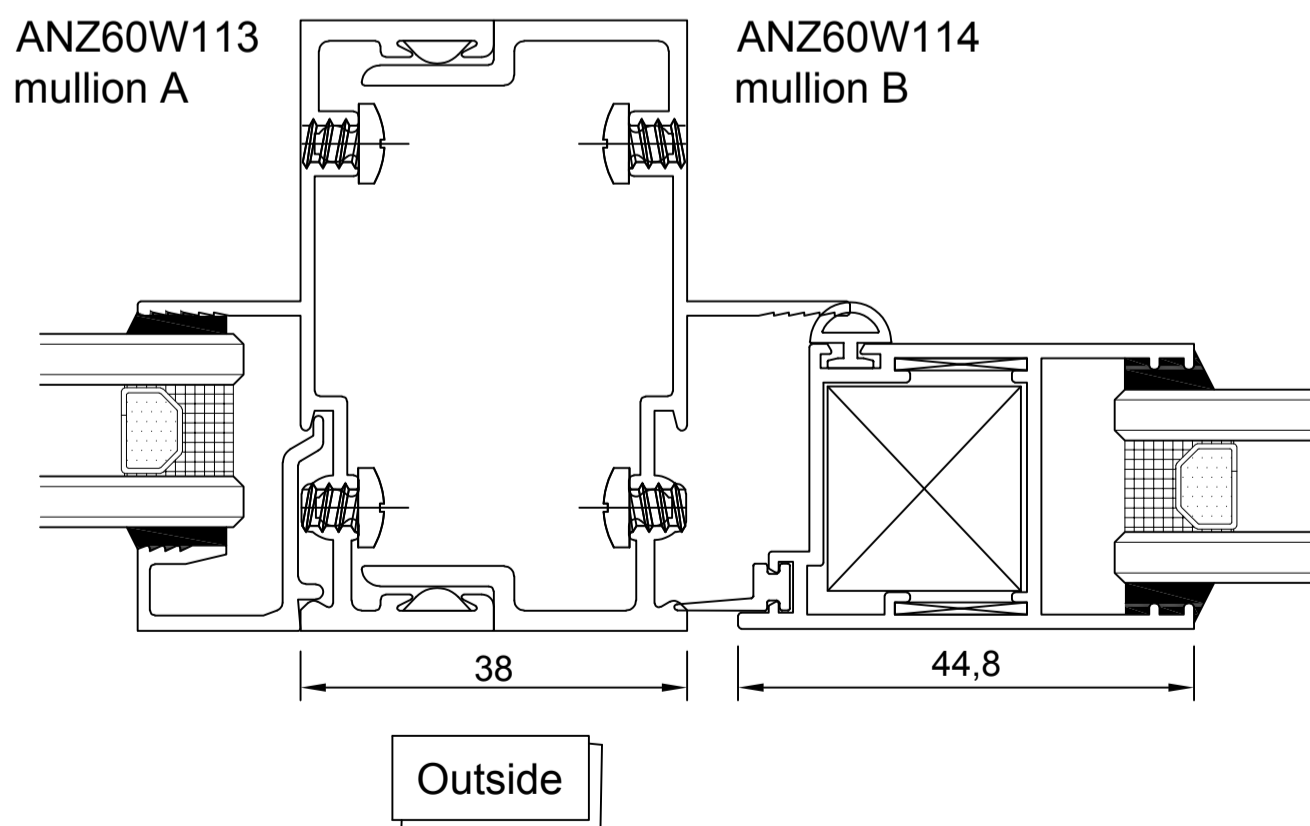
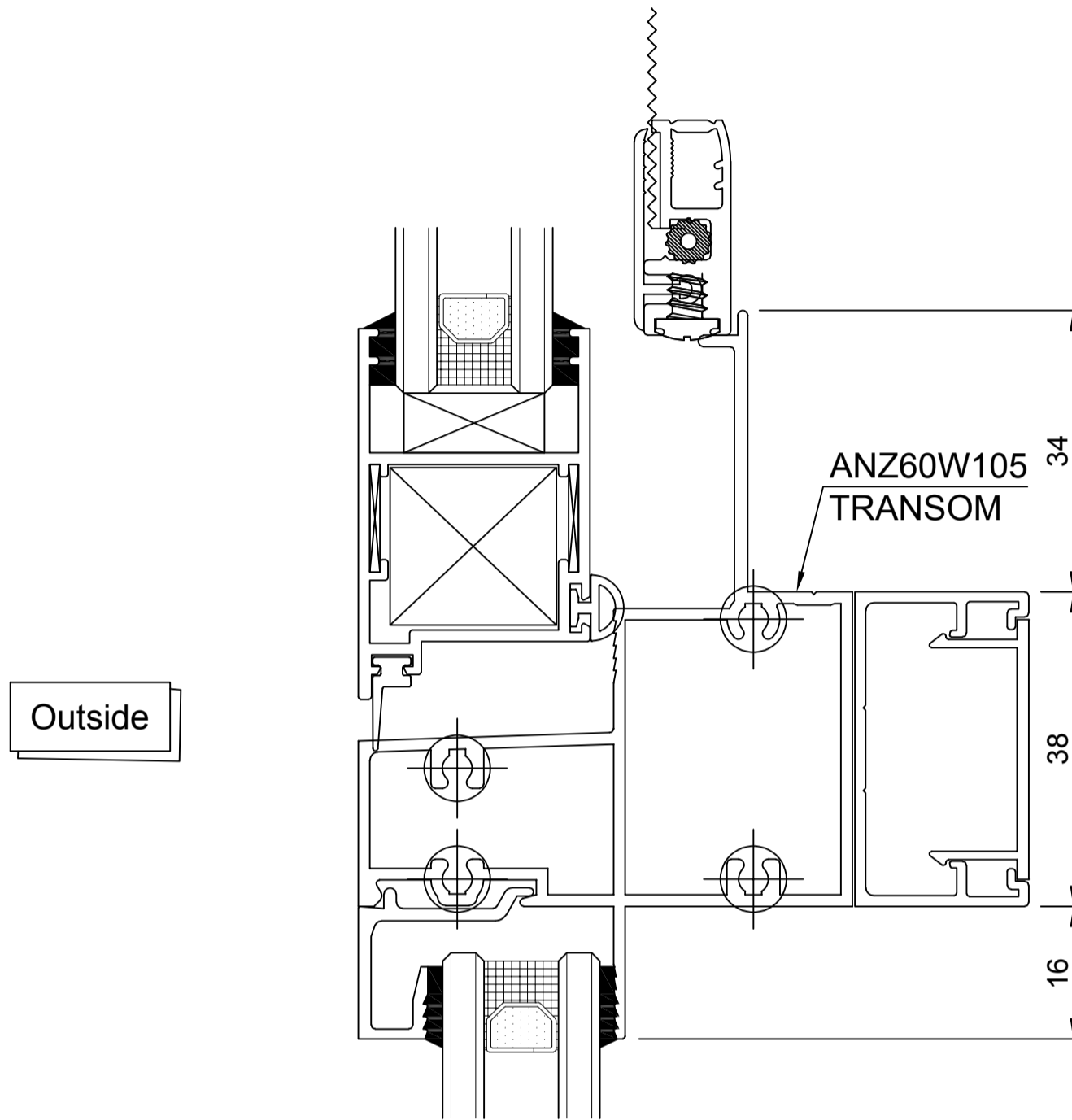
## Product Brief Introduction



# C60 Series Awning Window

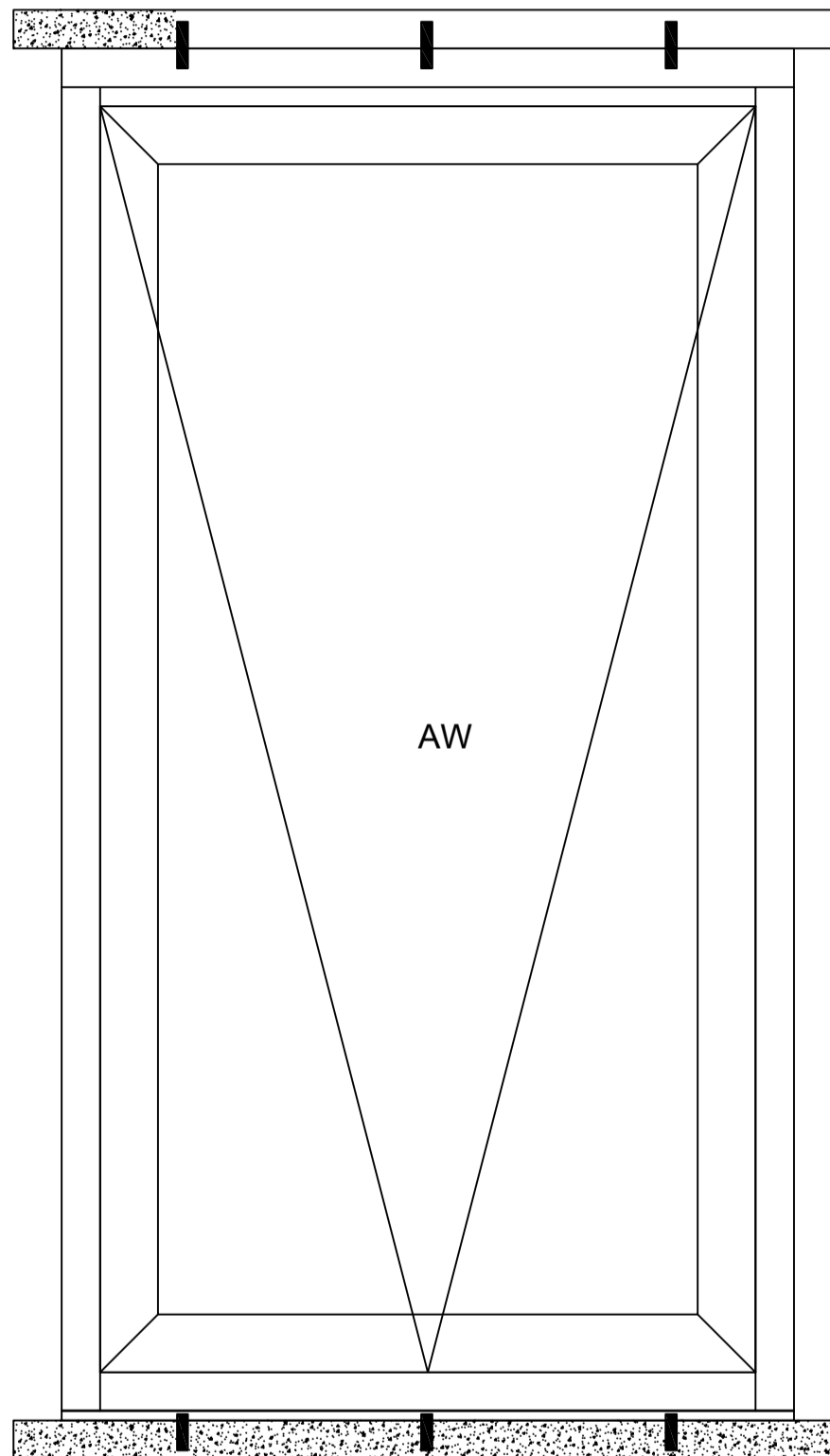
## Product Brief Introduction

### Sash and fixed connection



# C101 Series Awning Window

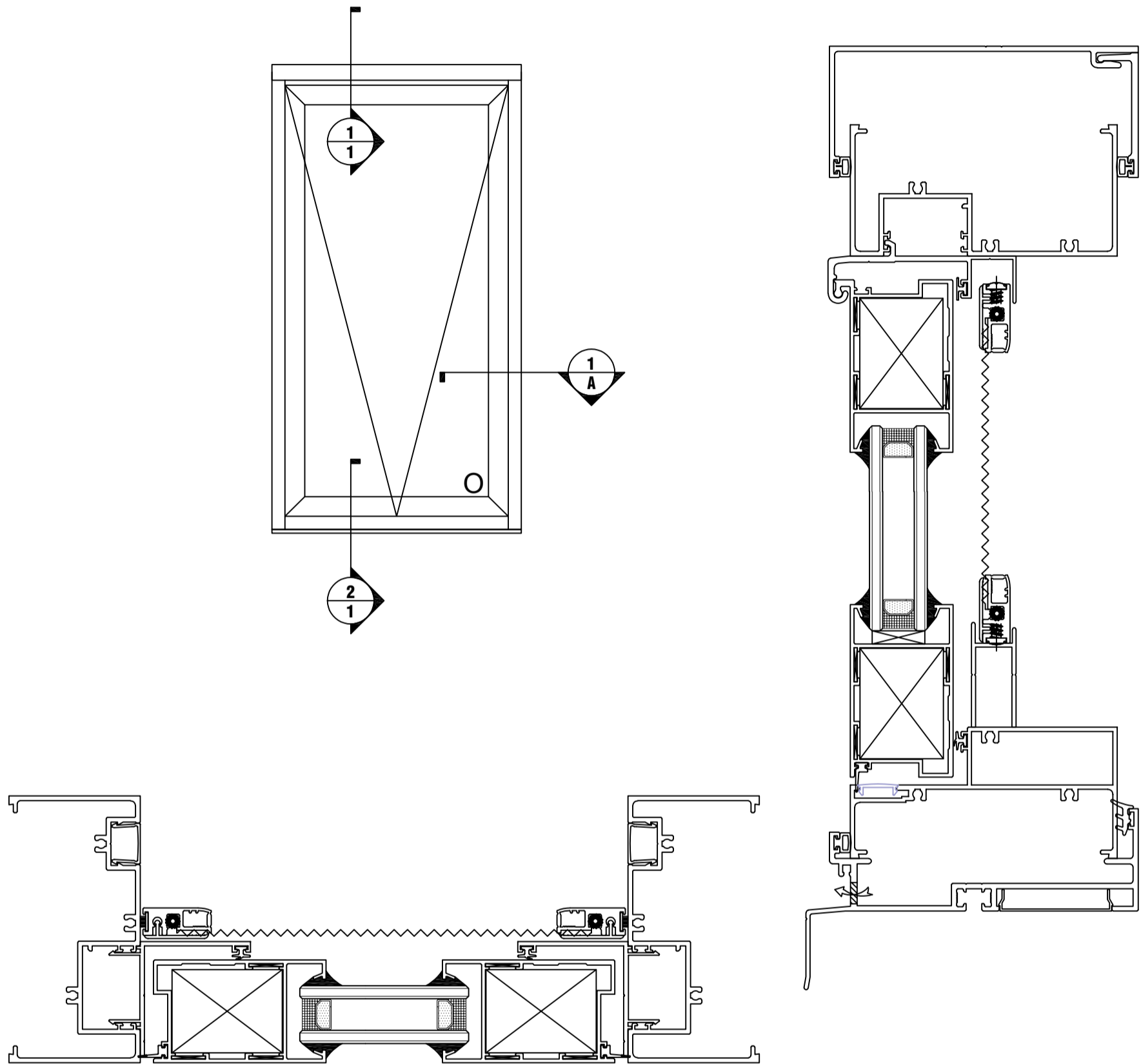
## Product Brief Introduction





# C101 Series Awning Window

## Product Brief Introduction



### COMPATIBLE WITH

- C101 Series Fix Window.
- T101 Series Sliding Door.
- H35 Series Hinged Door.
- H45 Series Hinged Door.

### Features & Benefits

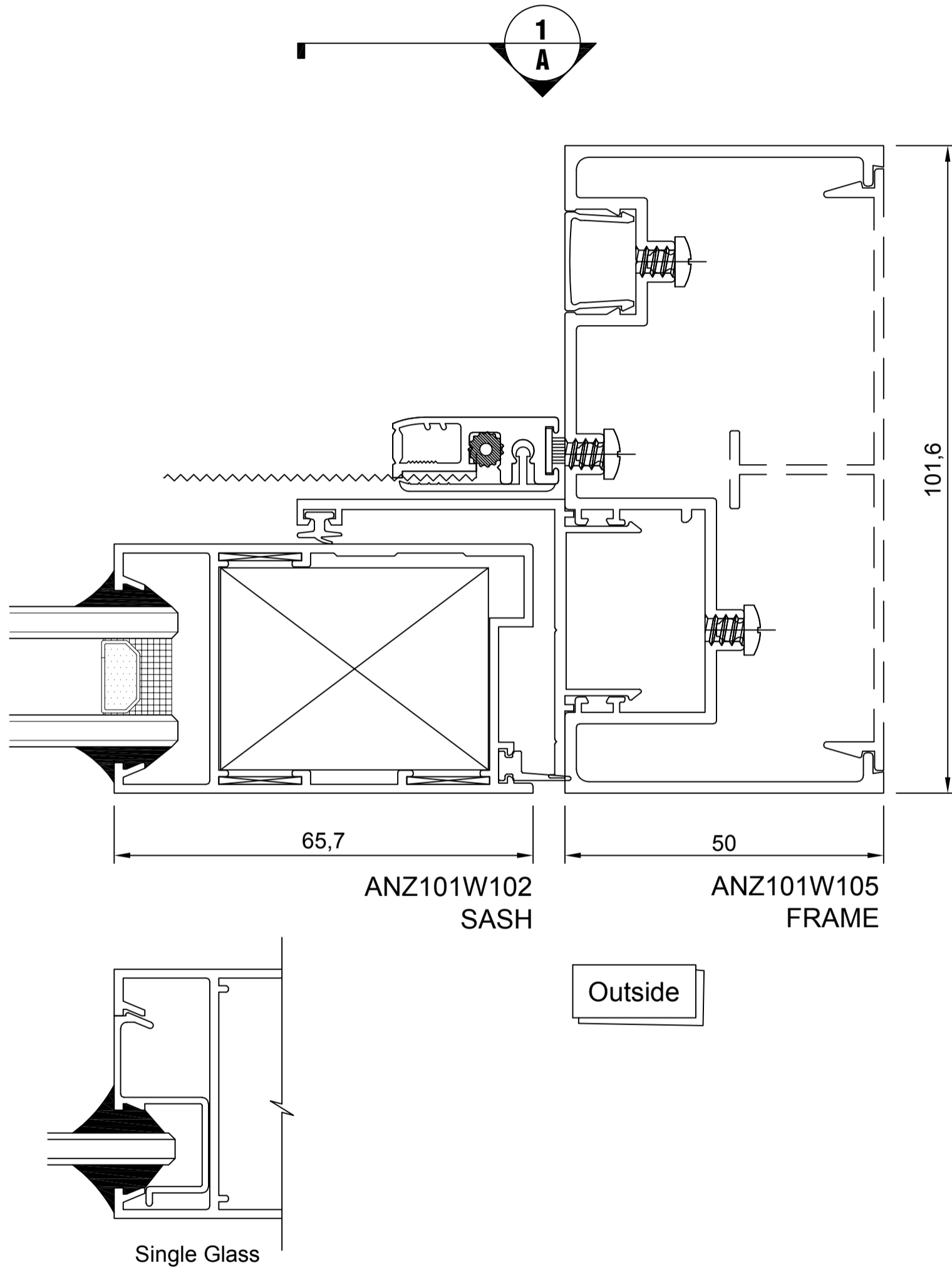
- 101.6mm X 50mm Frame.
- Architectural Applications.
- Supports Single Glazing.
- Compatible Door And Window.

### GLAZING DETAILS

- 10.78Lam
- 5Clr;5Obs
- 6Clr;6Obs
- 5Clr/12Ar/ 5Clr
- 5Obs /12Ar/ 5Clr
- 5Low-E/12Ar/ 5Clr
- 6Clr/12Ar/ 6Clr
- 6Obs /12Ar/ 6Clr
- 6Low-E/12Ar/ 6Clr

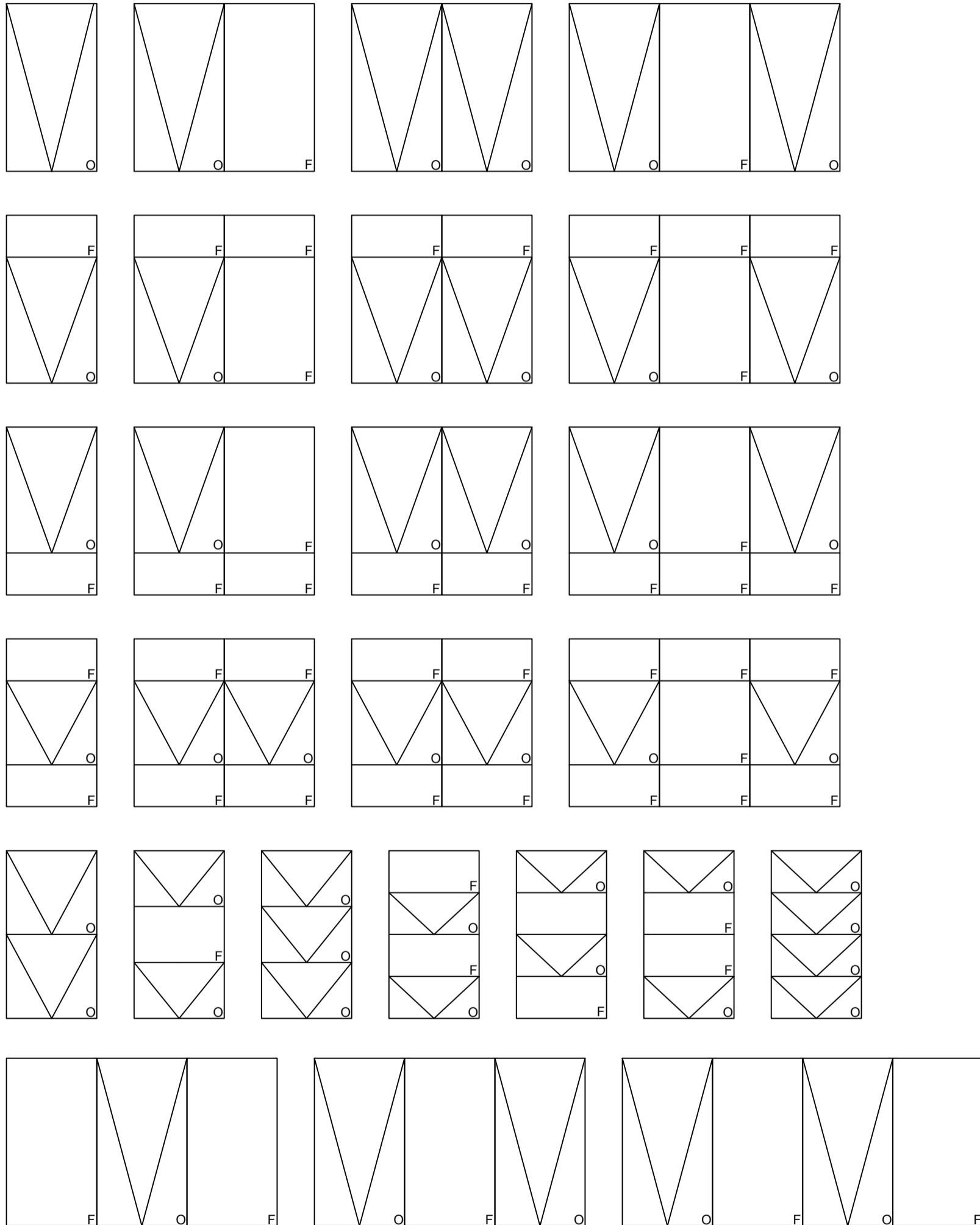
# C101 Series Awning Window

## Product Brief Introduction



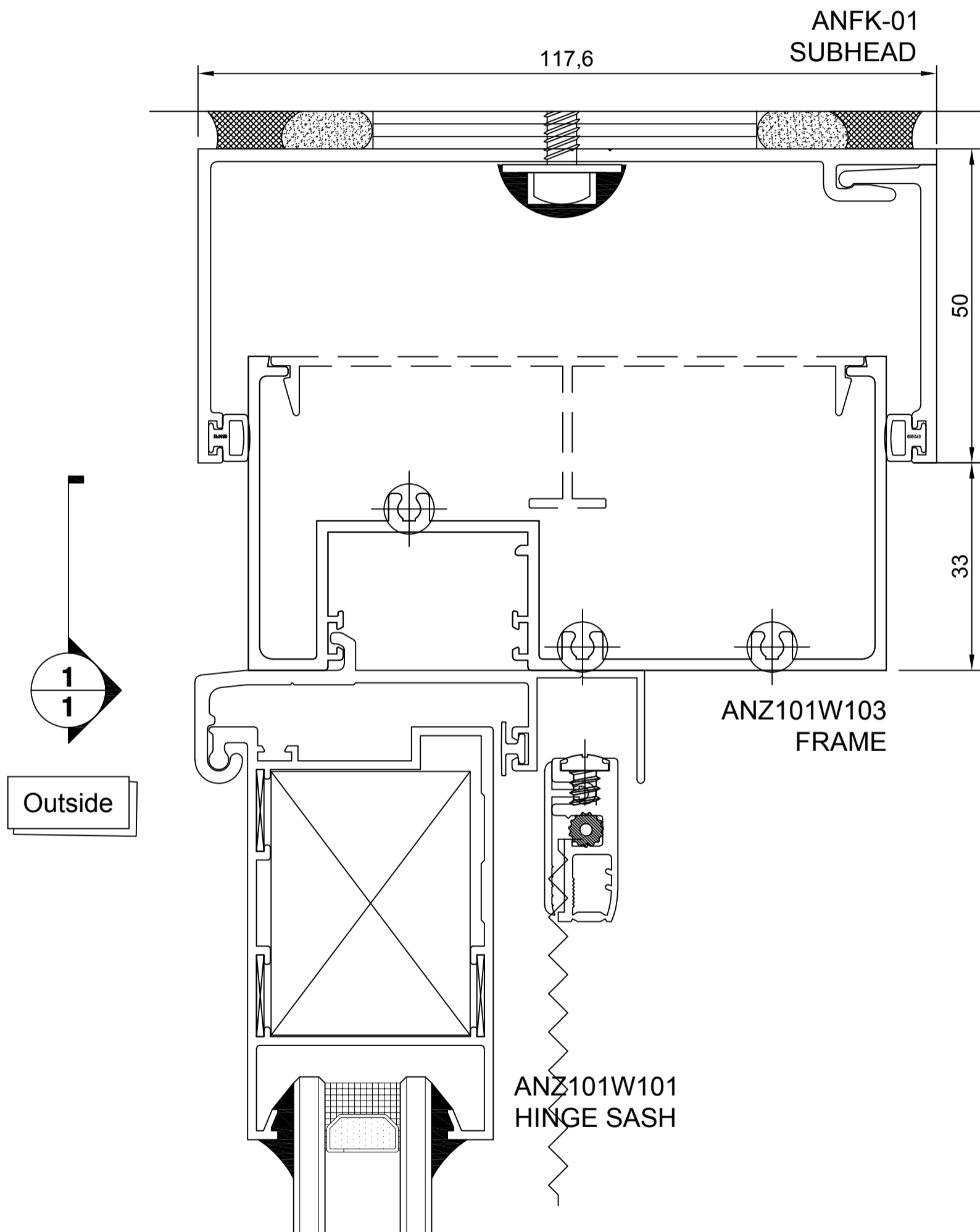
# C101 Series Awning Window

## Product Brief Introduction



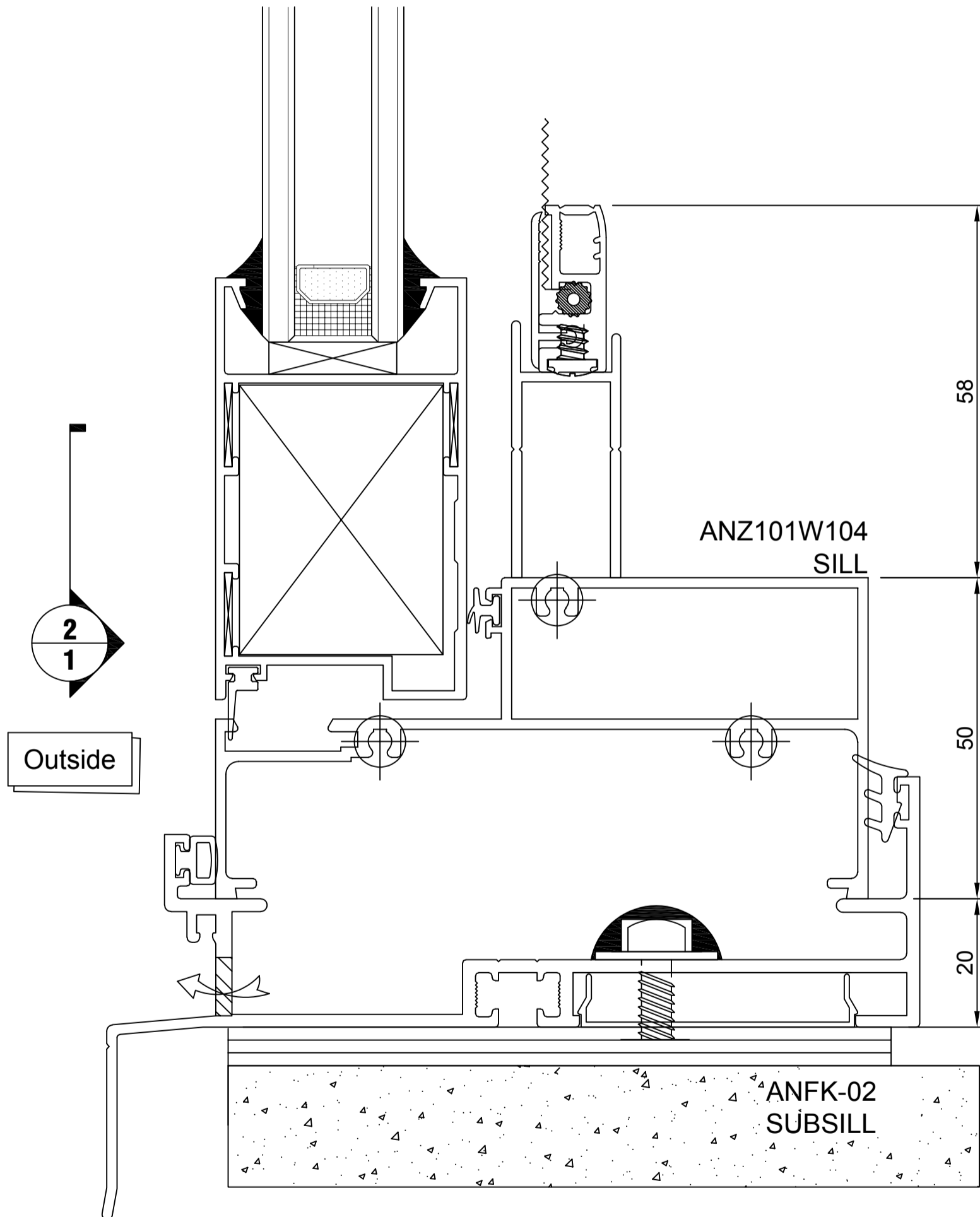
# C101 Series Awning Window

## Product Brief Introduction



# C101 Series Awning Window

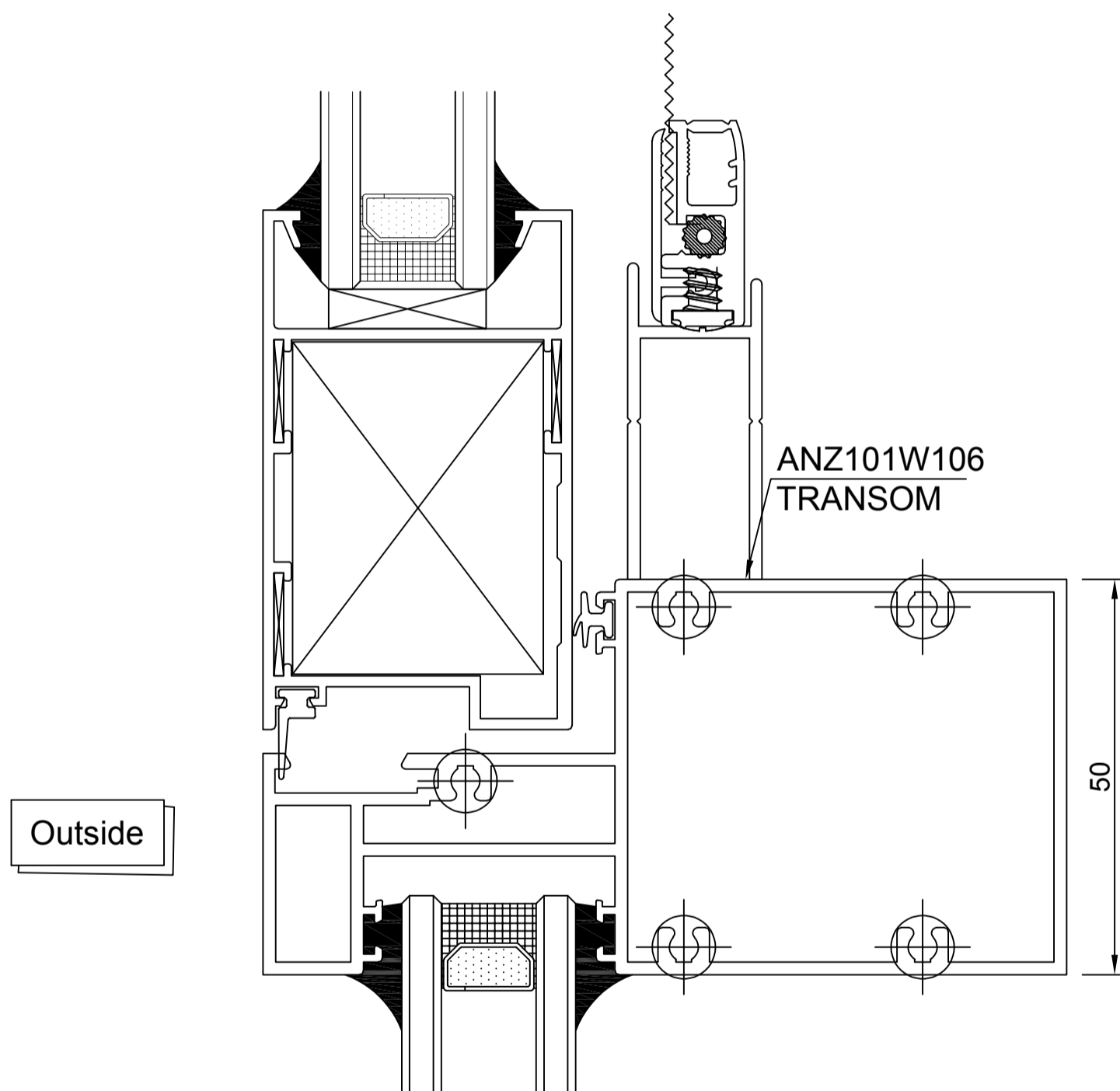
## Product Brief Introduction



# C101 Series Awning Window

## Product Brief Introduction

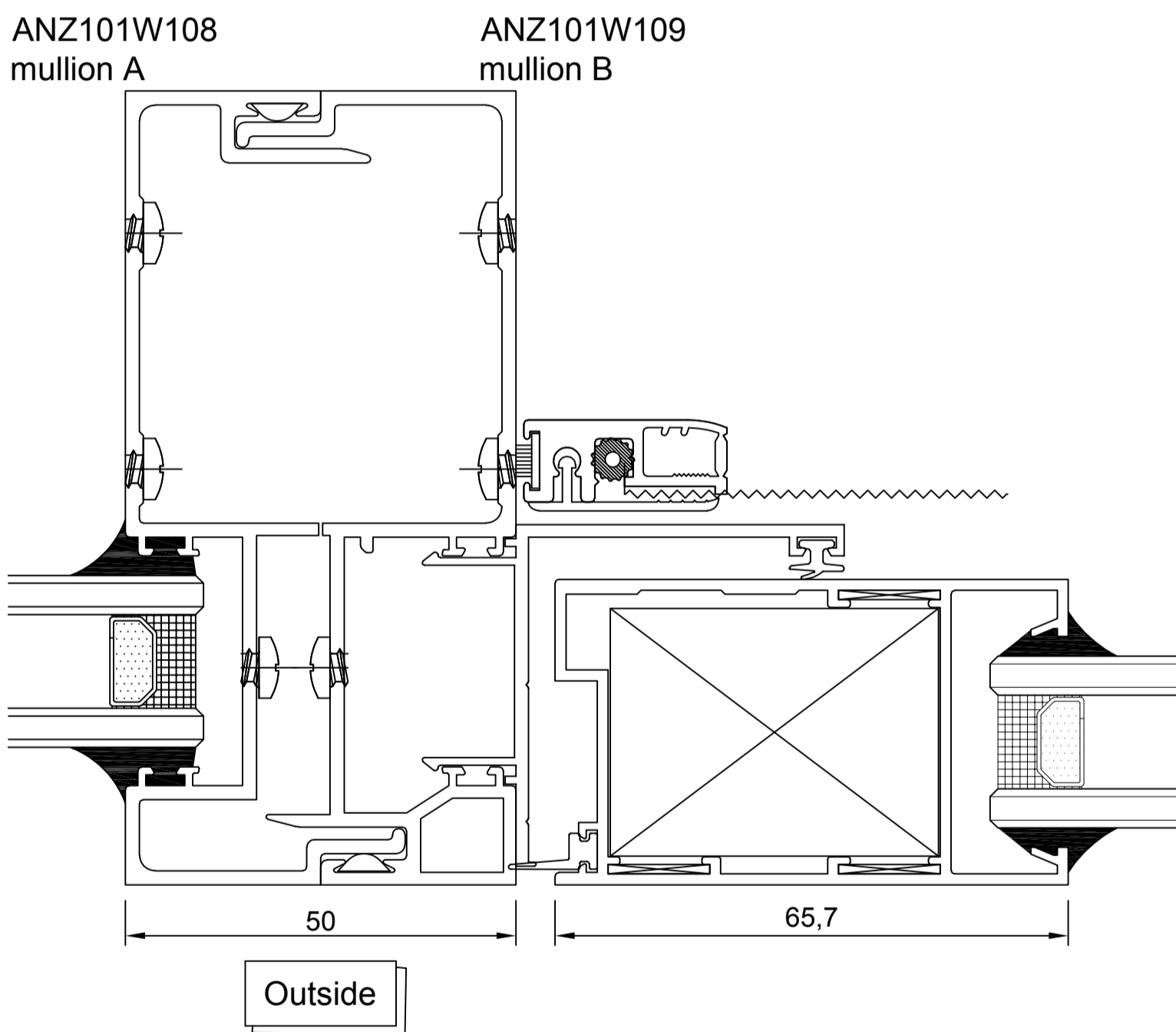
### Sash and fixed connection



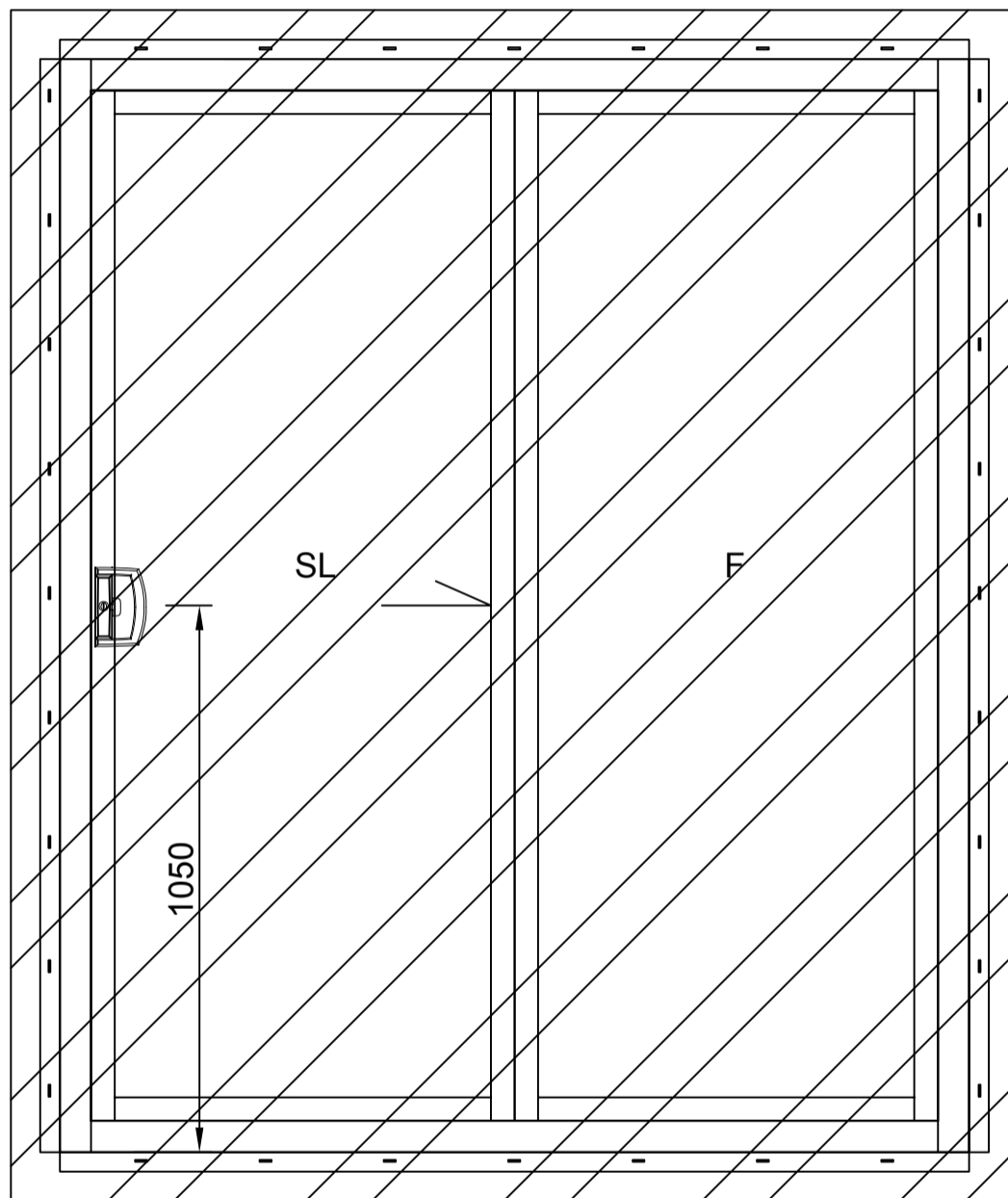
# C101 Series Awning Window

## Product Brief Introduction

### Sash and fixed connection



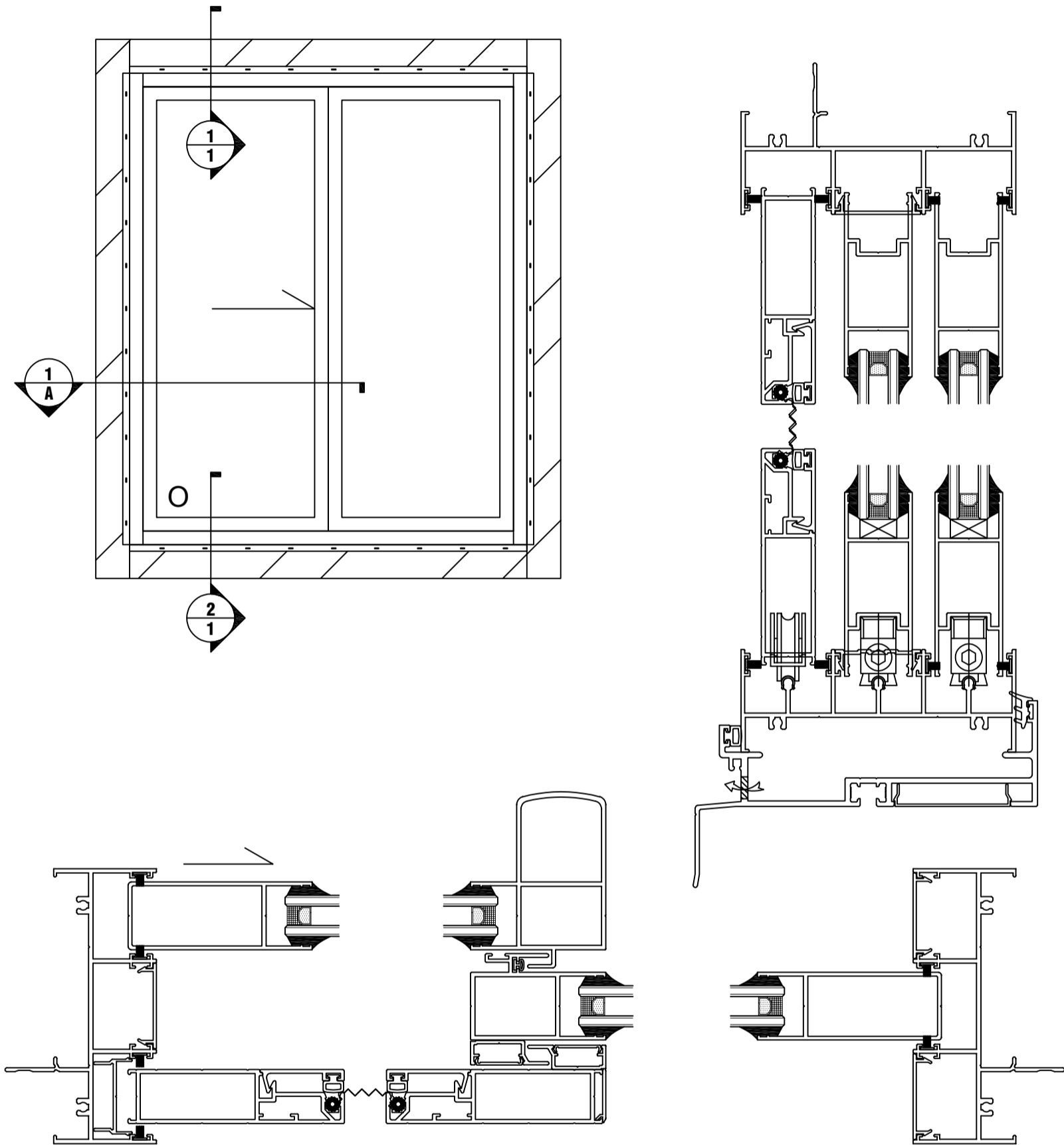
# T68 Series Sliding Door





# T68 Series Sliding Door

## Product Brief Introduction



### COMPATIBLE WITH

#### Features & Benefits

- 101.6mm X 38mm Frame.
- Architectural Applications.
- Supports Single Glazing.
- Compatible Door And Window.

### GLAZING DETAILS

10.78Lam  
5Clr;5Obs  
6Clr;6Obs  
5Clr/9Ar/ 5Clr  
5Obs /9Ar/ 5Clr  
5Low-E/9Ar/ 5Clr

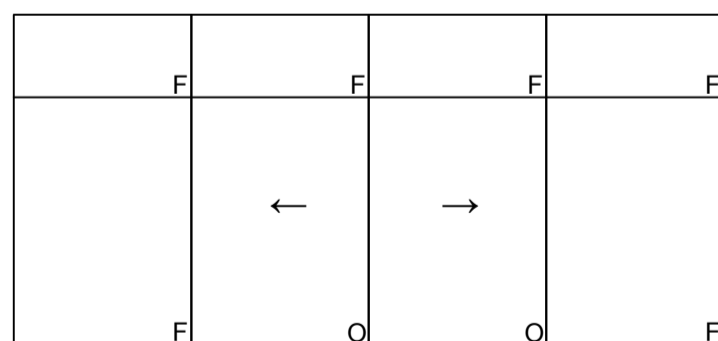
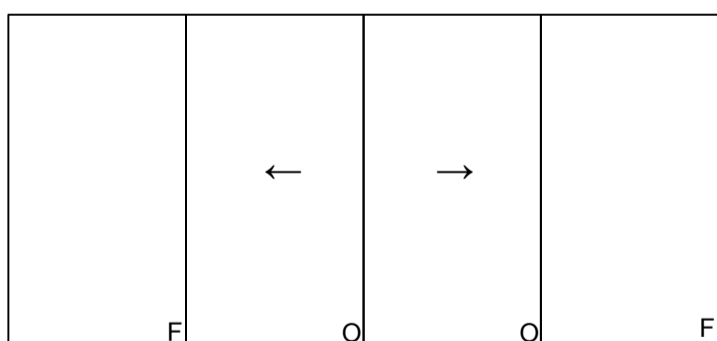
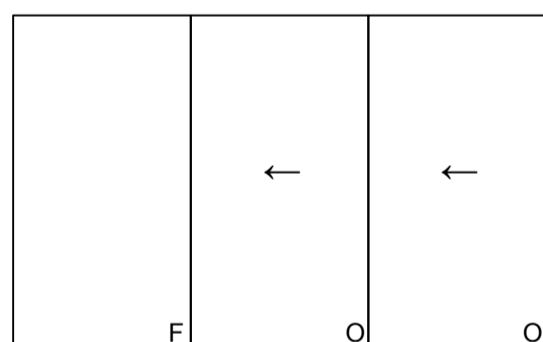
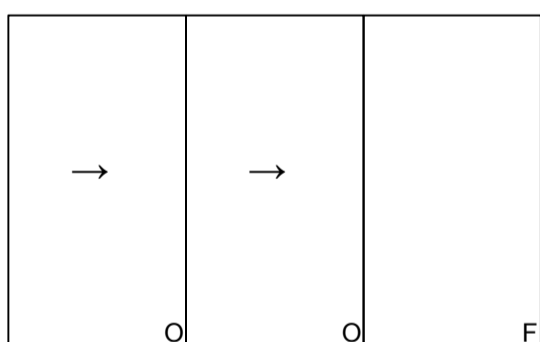
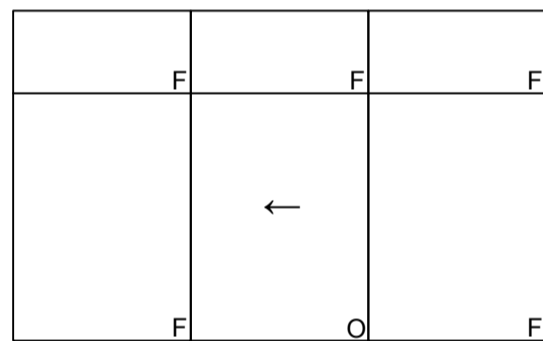
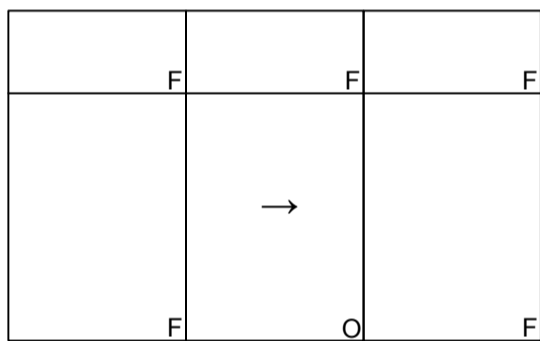
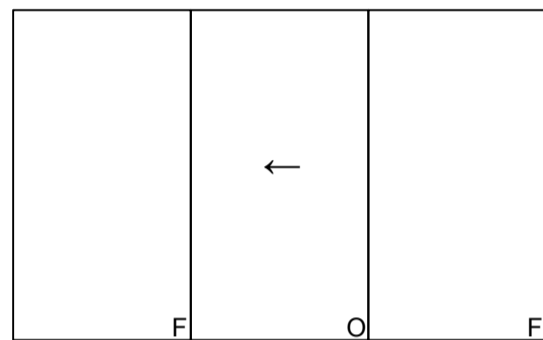
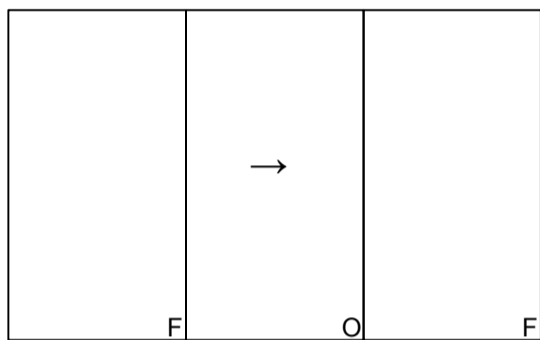
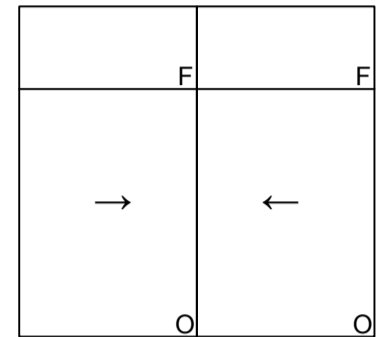
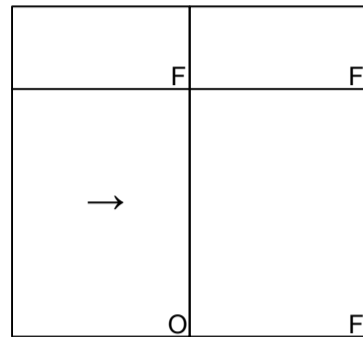
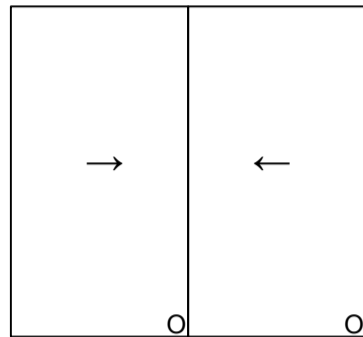
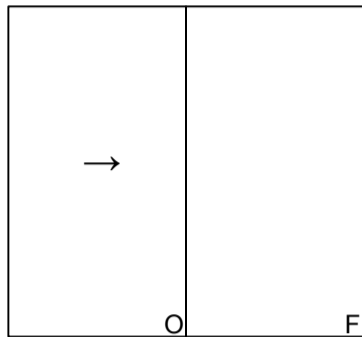
### PRODUCT SPECS

Max.Recommended Sizes

- Height: 2400
- Width: 2400

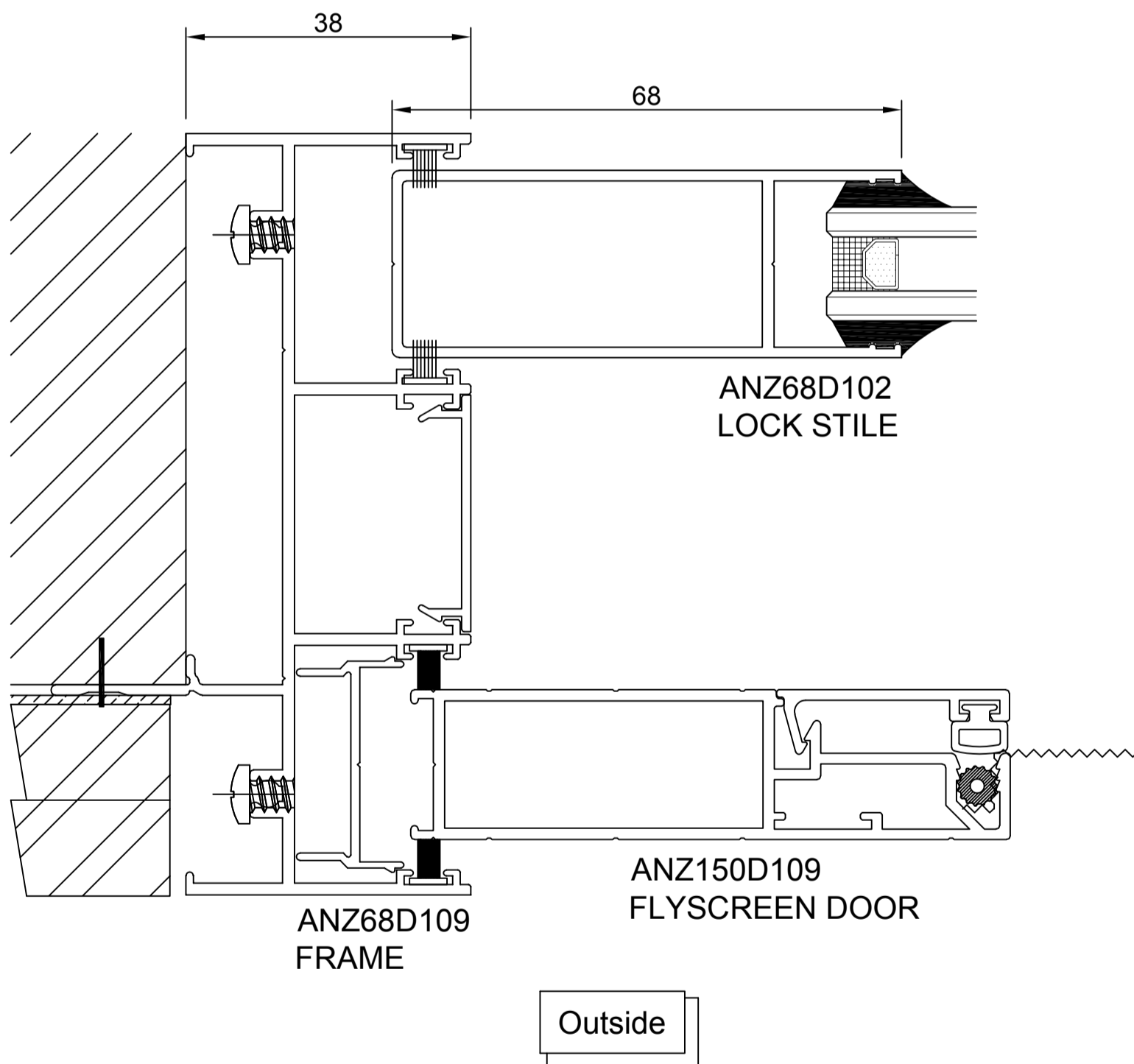
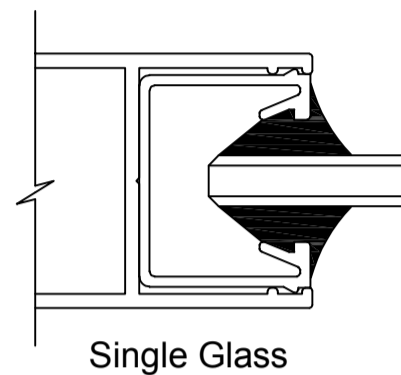
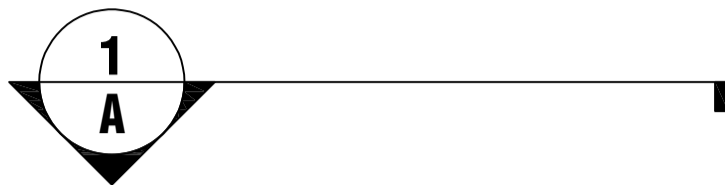
# T68 Series Sliding Door

## Product form



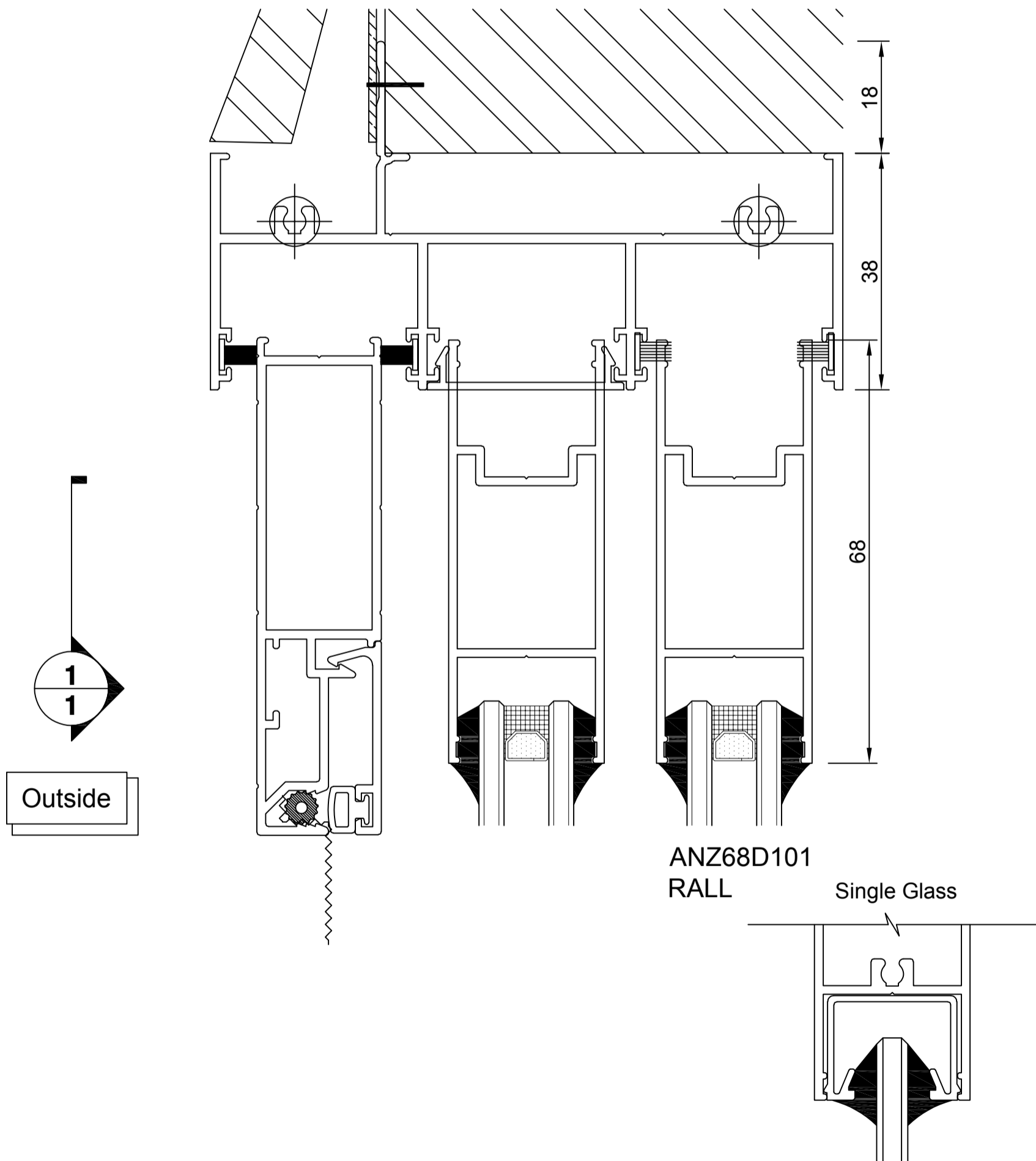
# T68 Series Sliding Door

## Product Detail



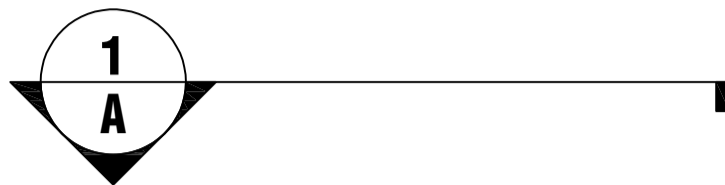
# T68 Series Sliding Door

## Product Detail

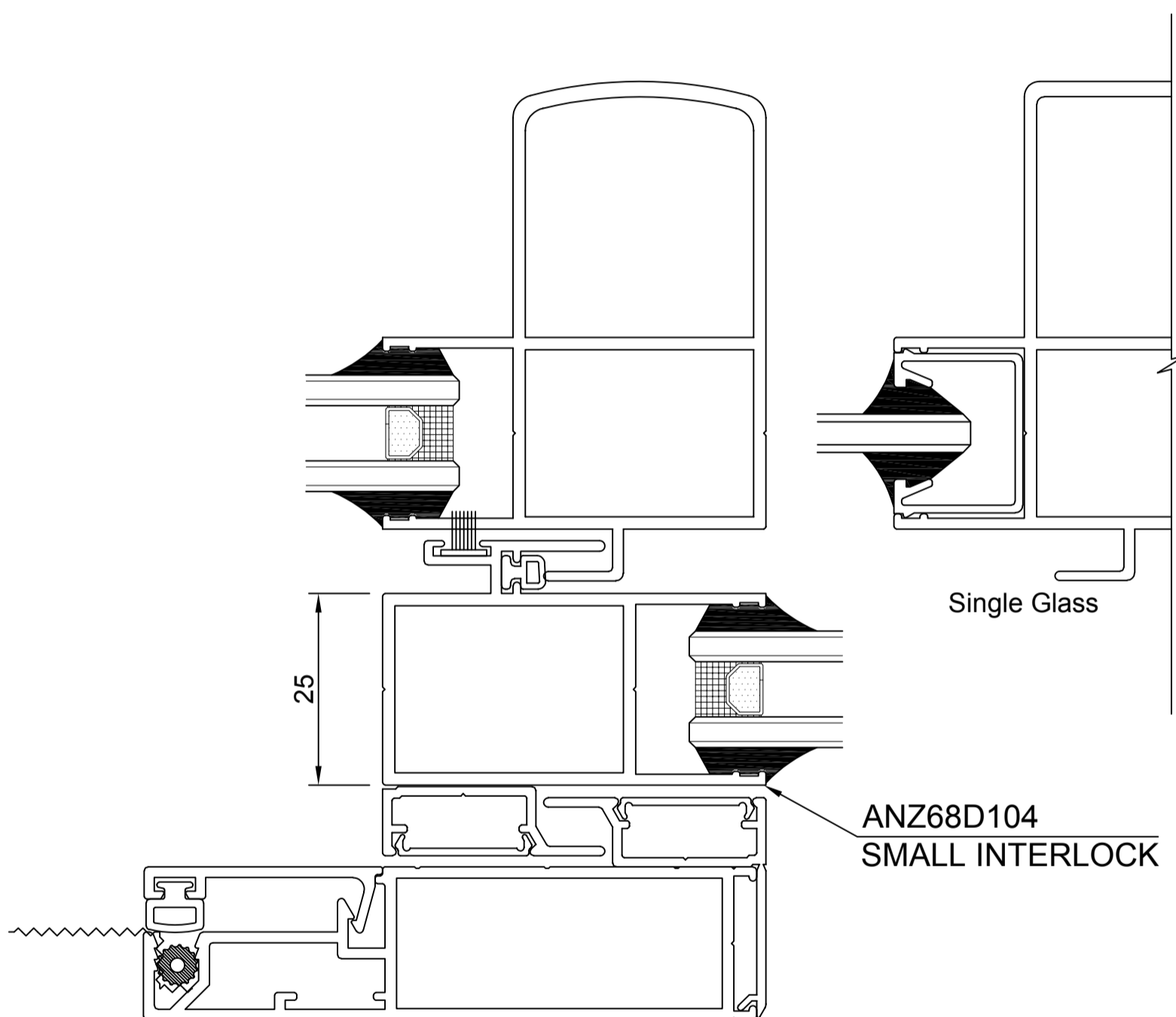


# T68 Series Sliding Door

## Product Detail

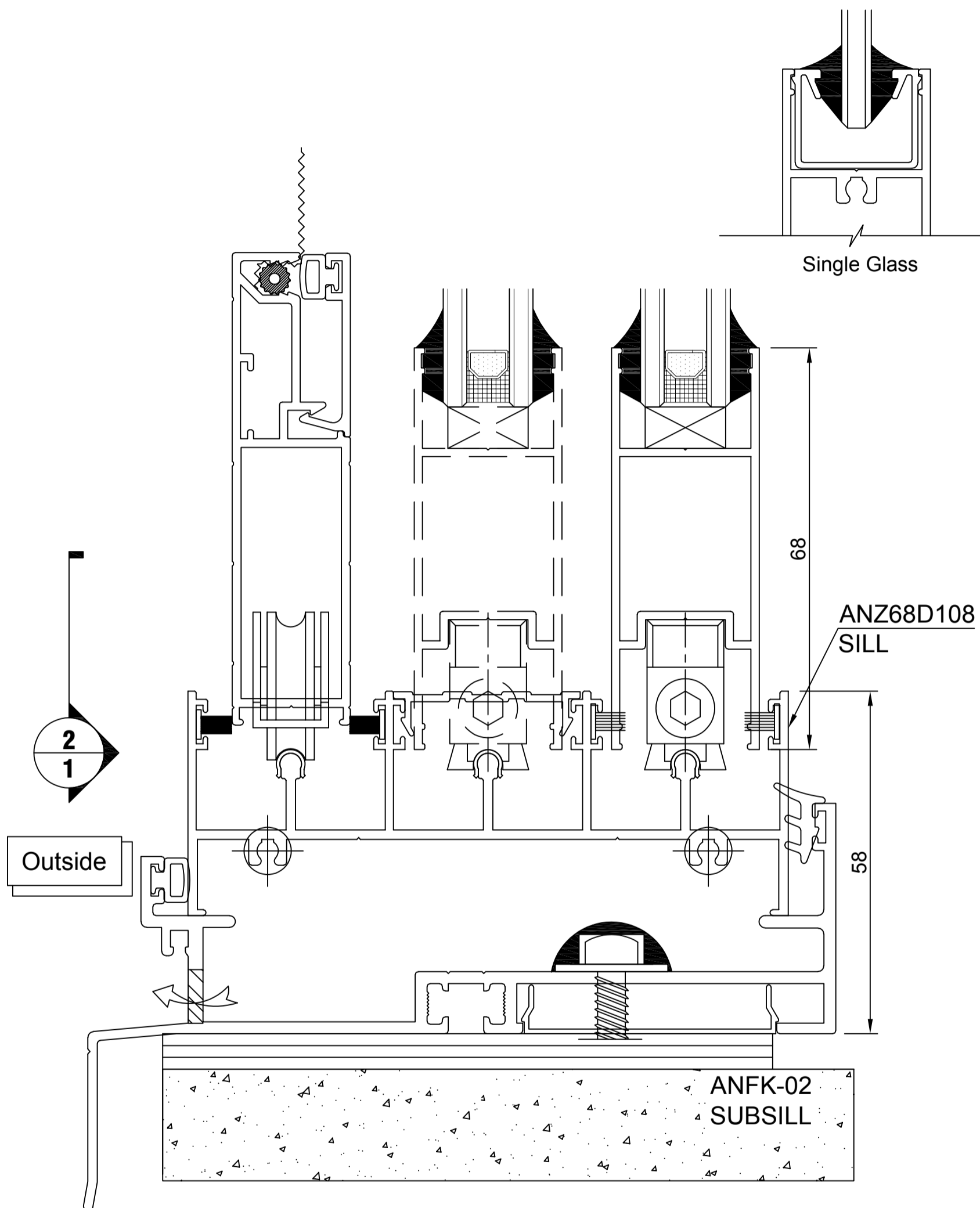


ANZ68D103  
INTERLOCK

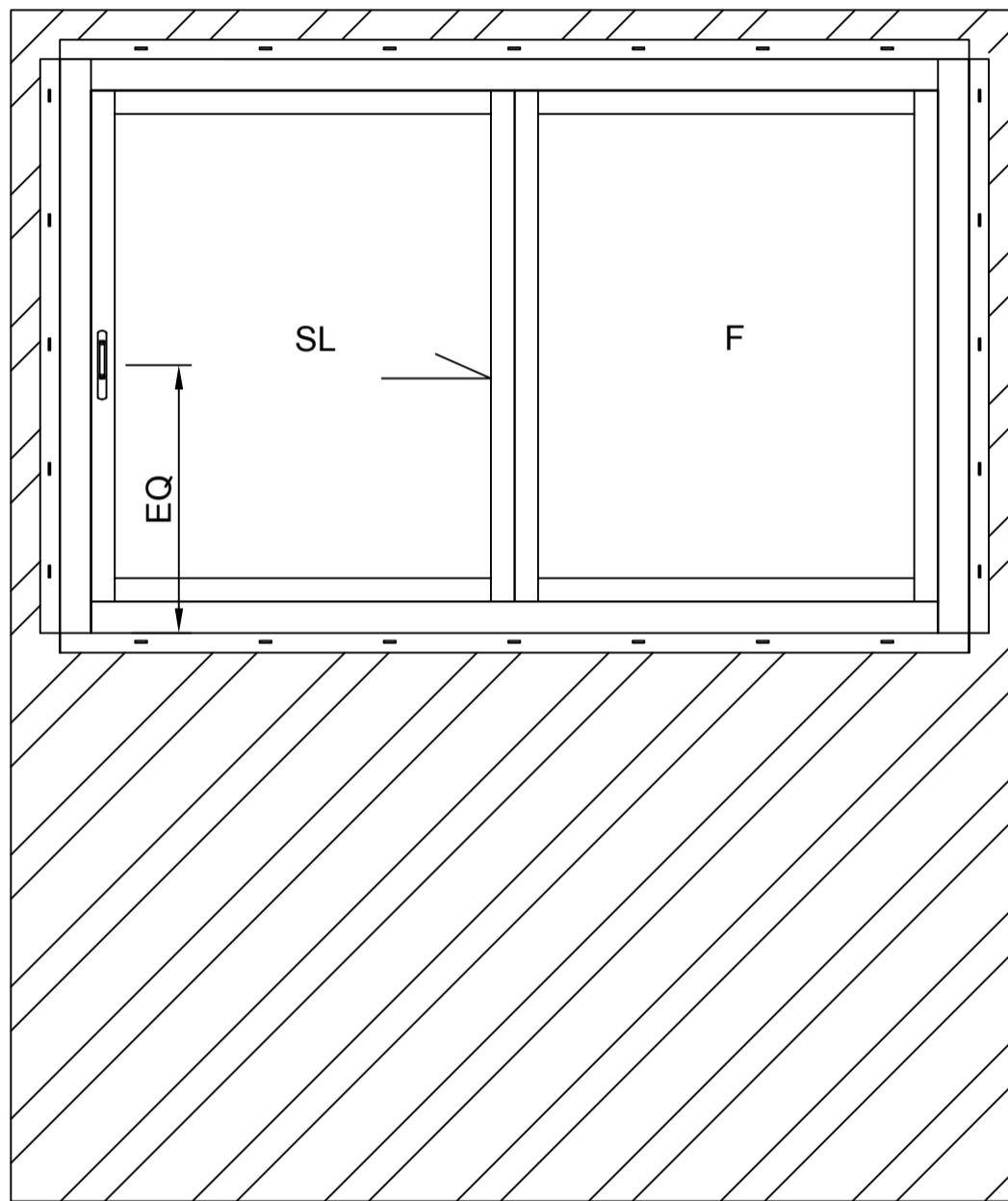


# T68 Series Sliding Door

## Product Detail

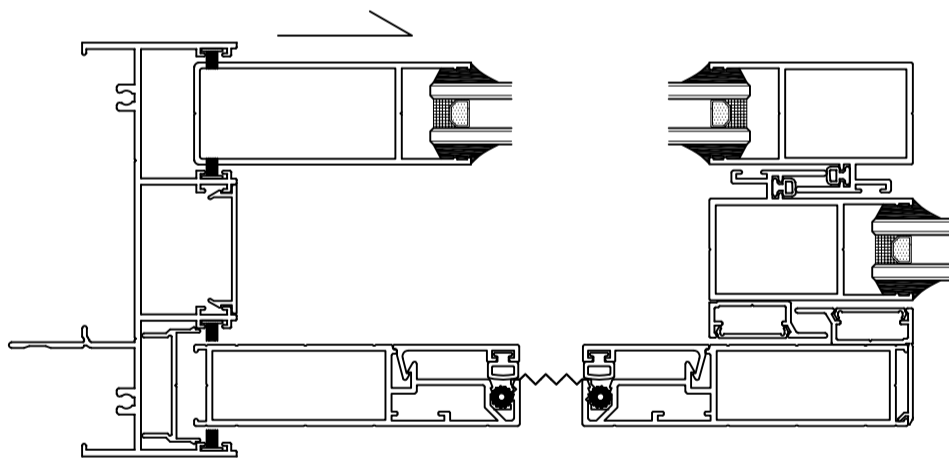
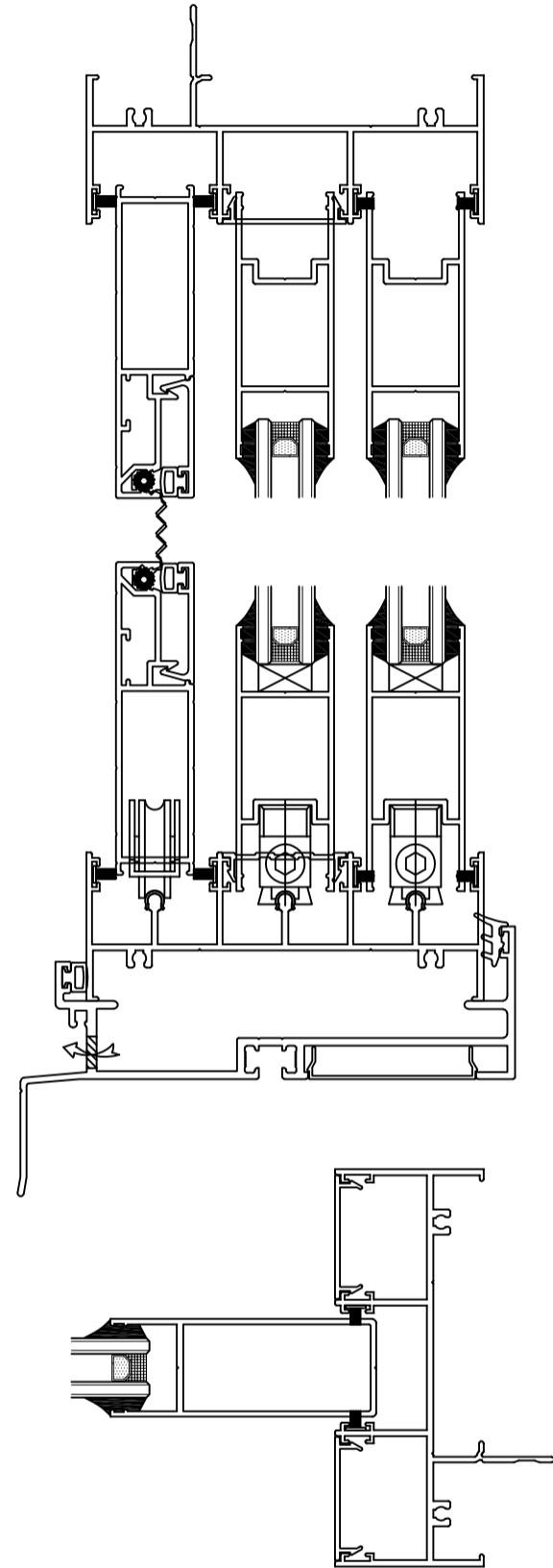
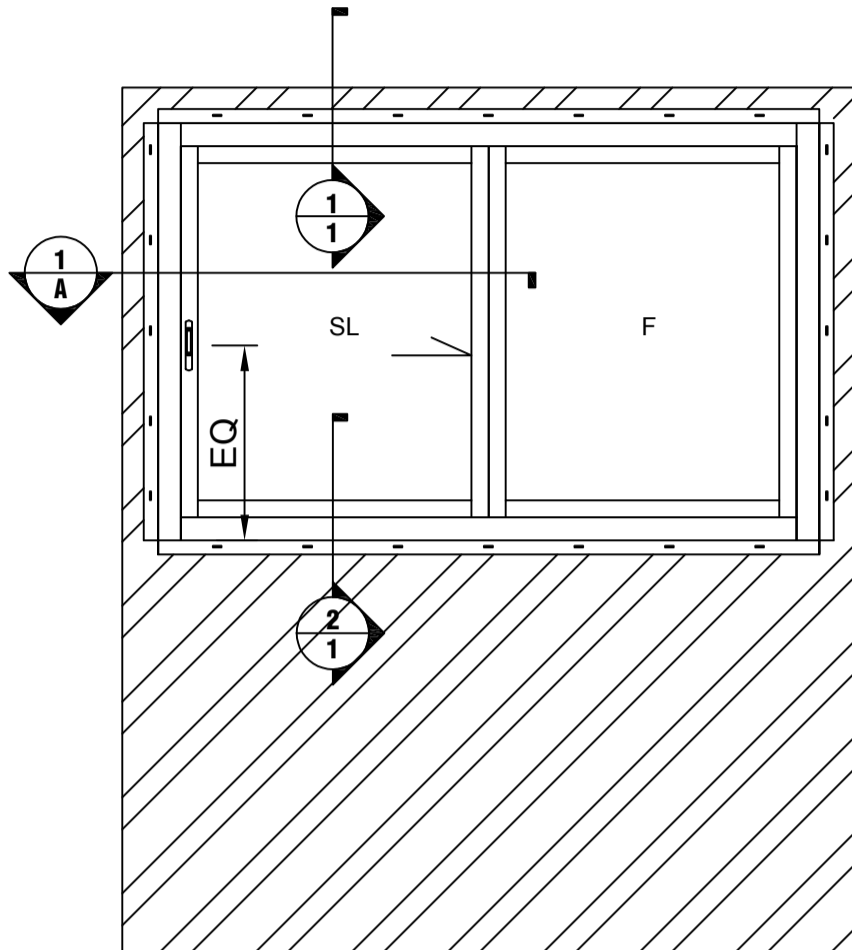


# T68 Series Sliding Window



# T68 Series Sliding Window

## Product Brief Introduction



### COMPATIBLE WITH

### Features & Benefits

- 101.6mm X 38mm Frame.
- Architectural Applications.
- Supports Single Glazing.
- Compatible Door And Window.

### GLAZING DETAILS

10.78Lam  
5Clr;5Obs  
6Clr;6Obs  
5Clr/9Ar/ 5Clr  
5Obs /9Ar/ 5Clr  
5Low-E/9Ar/ 5Clr

### PRODUCT SPECS

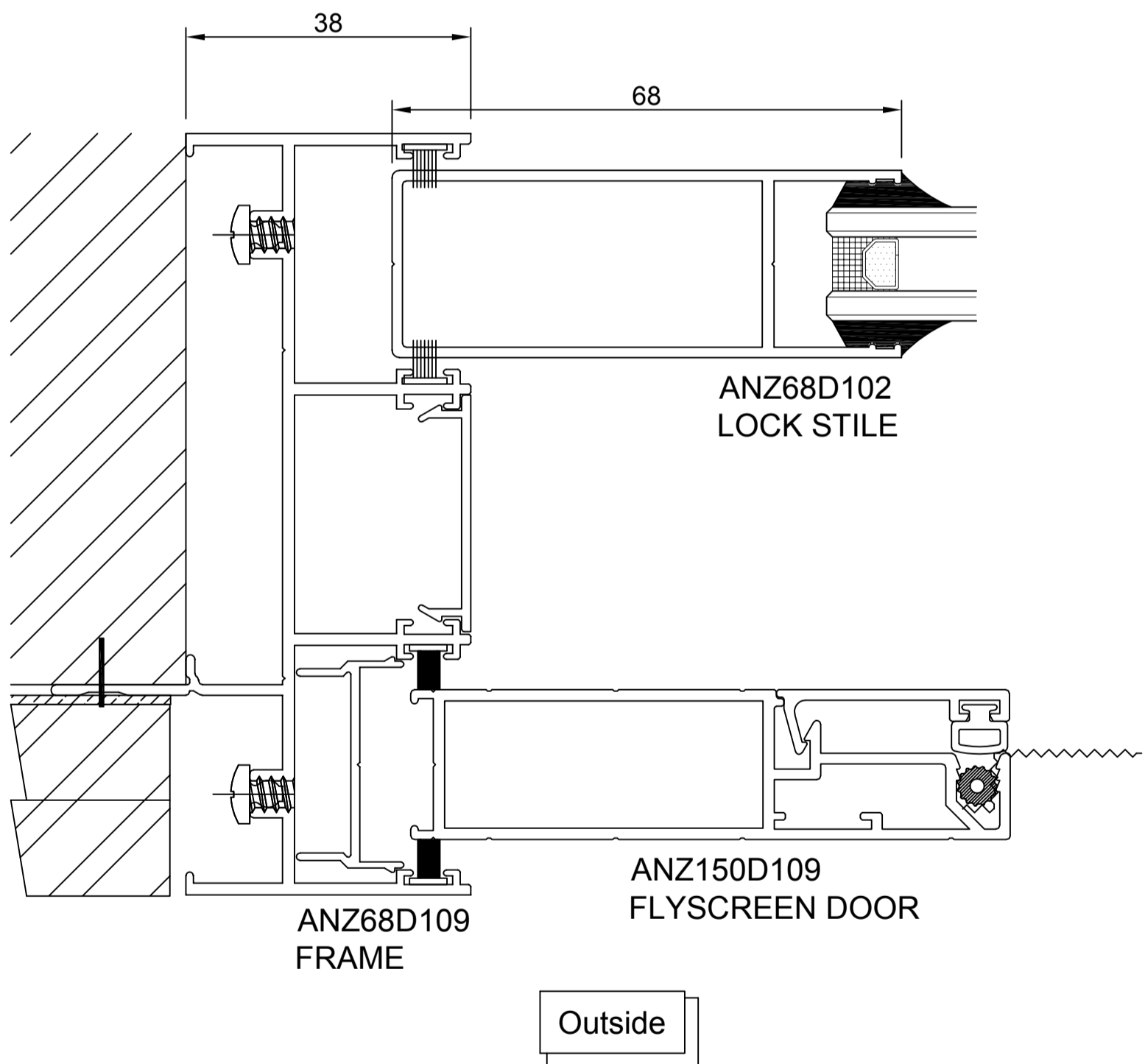
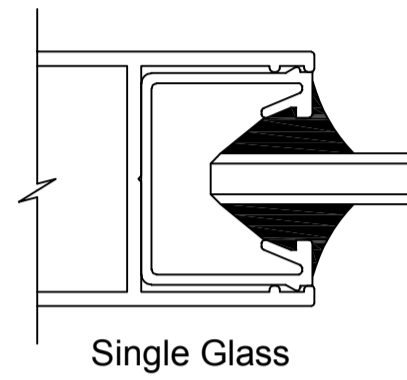
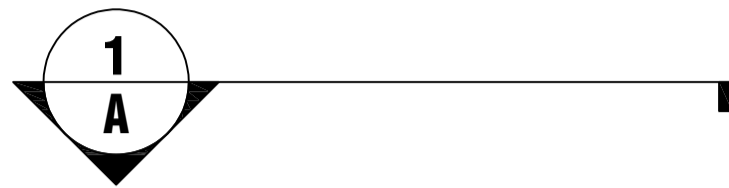
Max.Recommended Sizes

- Height: 2400
- Width: 2400



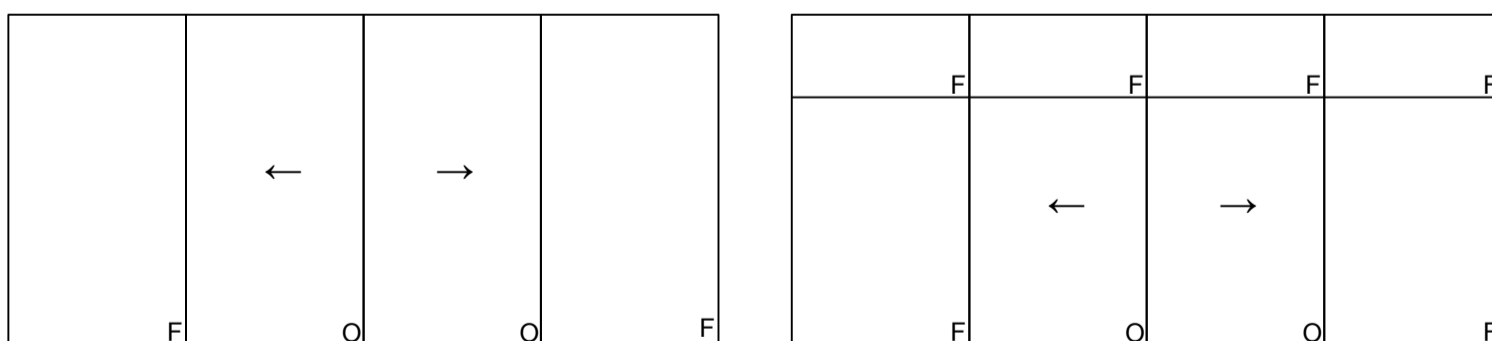
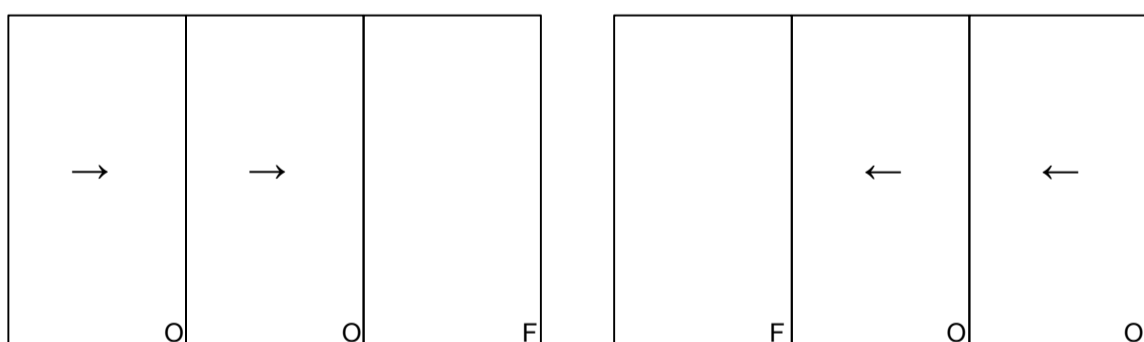
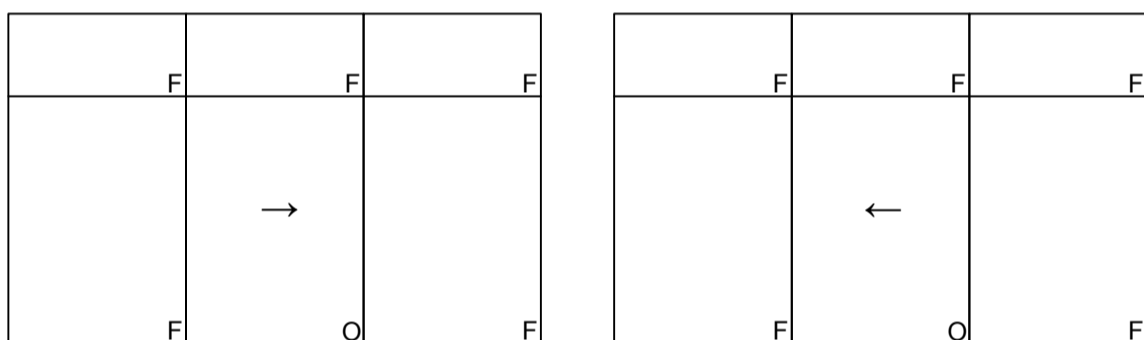
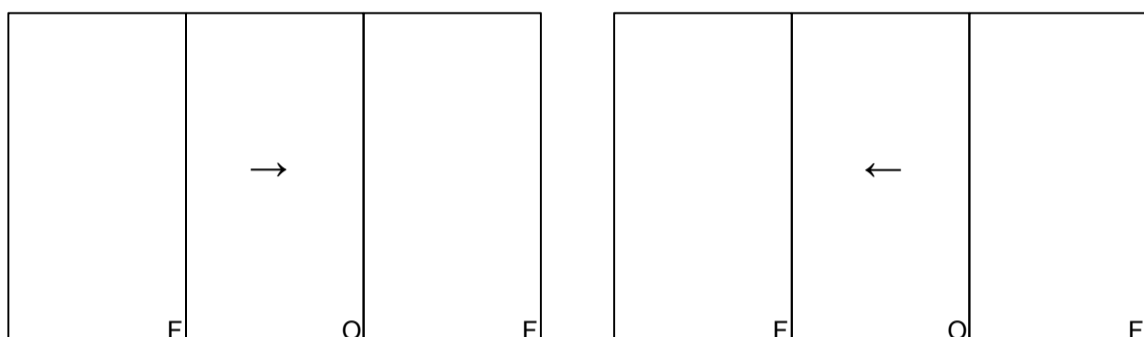
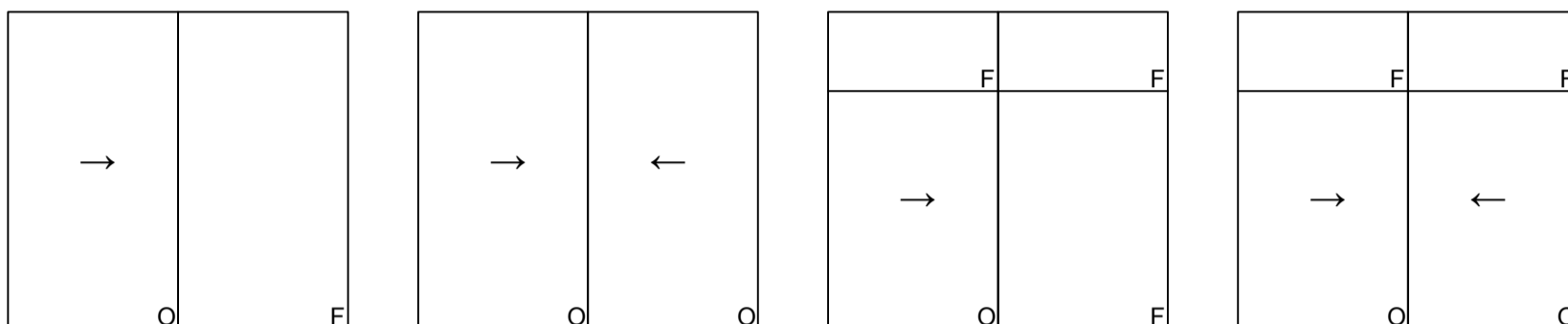
# T68 Series Sliding Window

## Product Detail



# T68 Series Sliding Window

## Product form

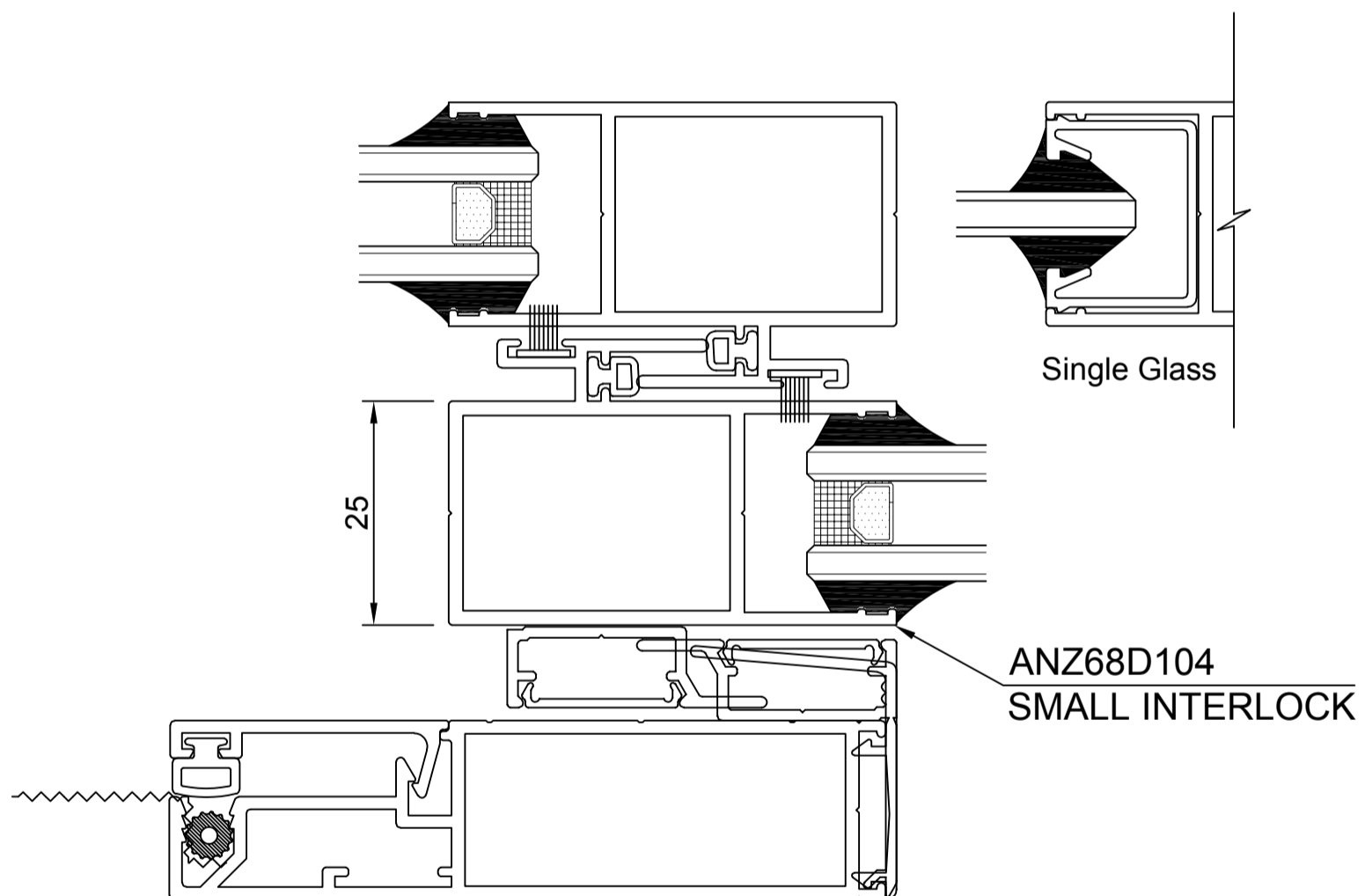


# T68 Series Sliding Window

## Product Detail



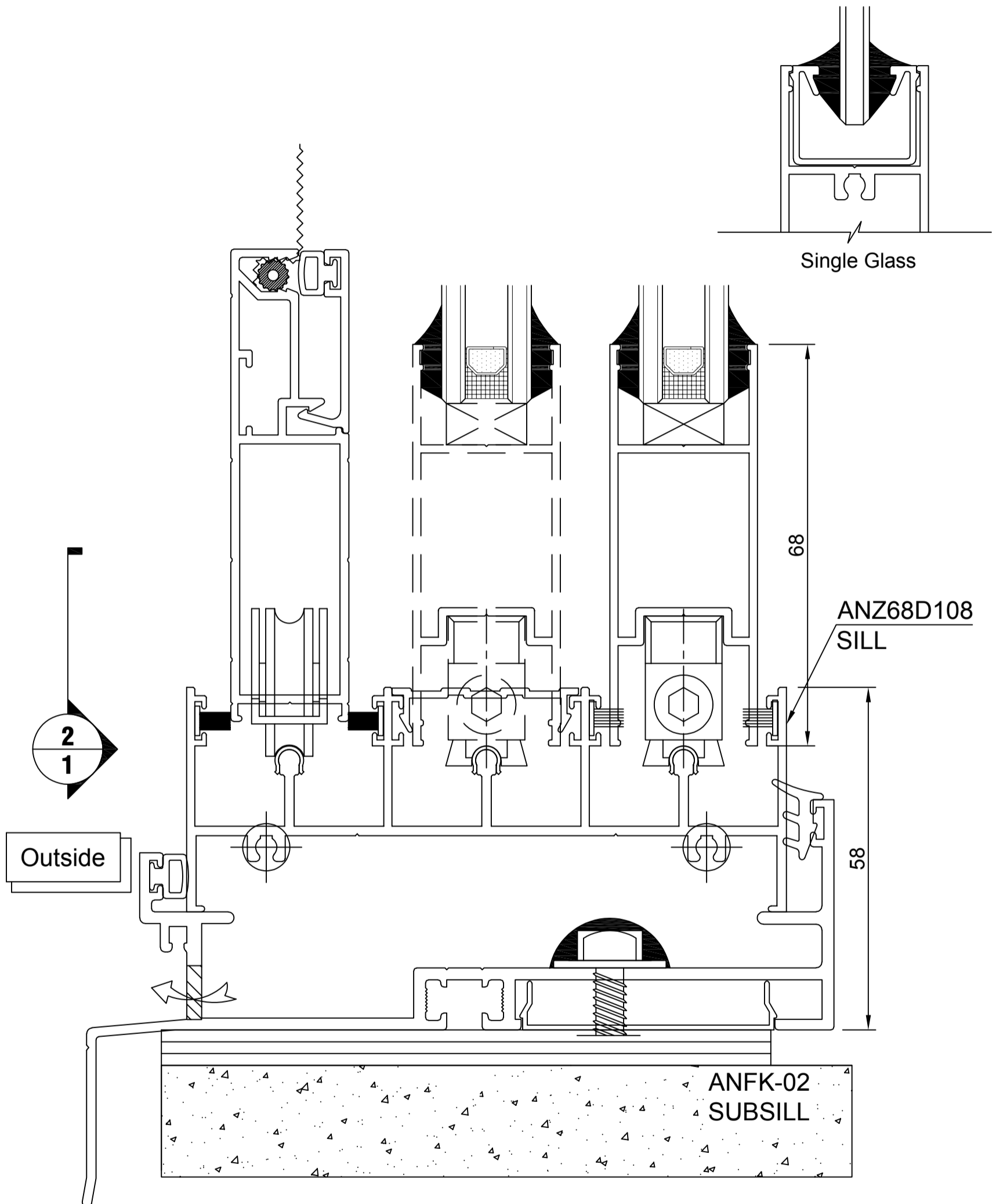
ANZ68D103  
INTERLOCK



Outside

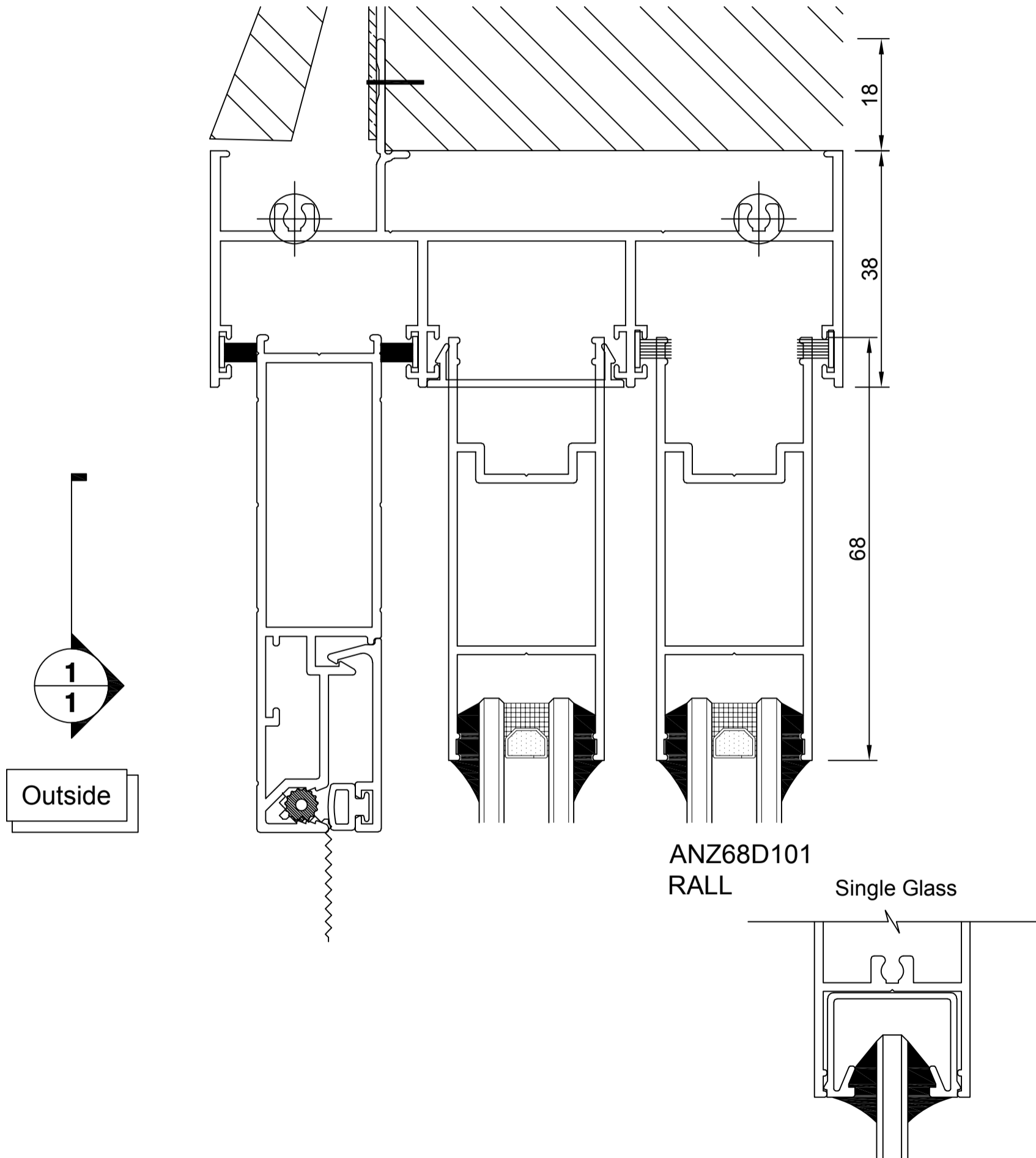
# T68 Series Sliding Window

## Product Detail



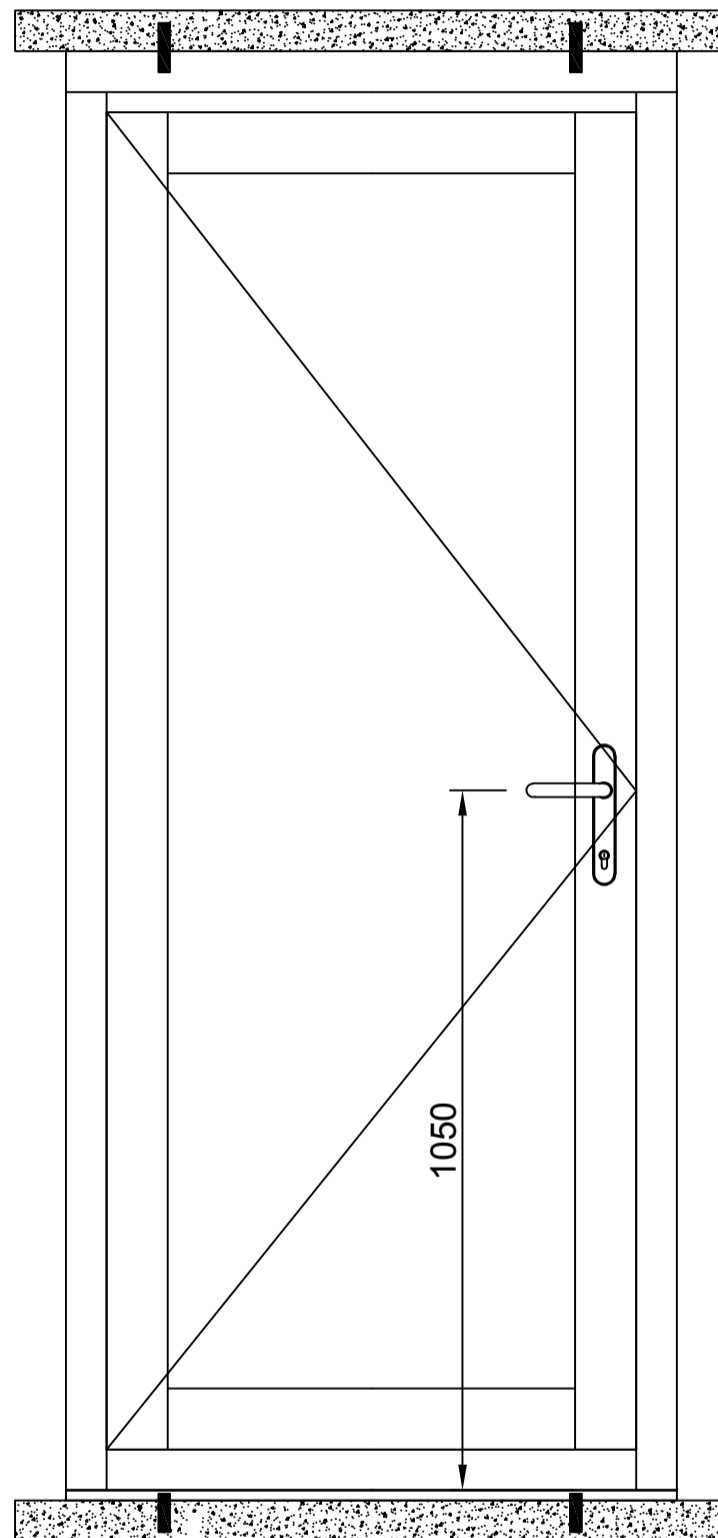
# T68 Series Sliding Window

## Product Detail



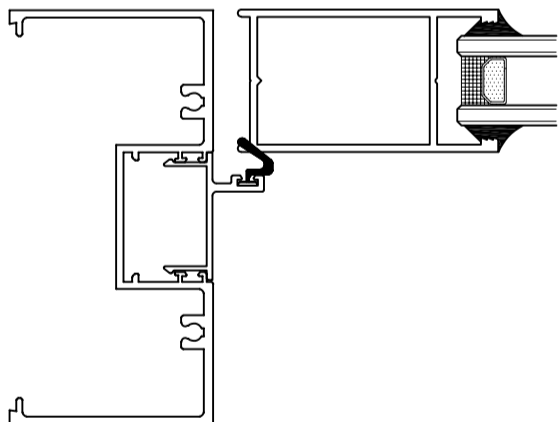
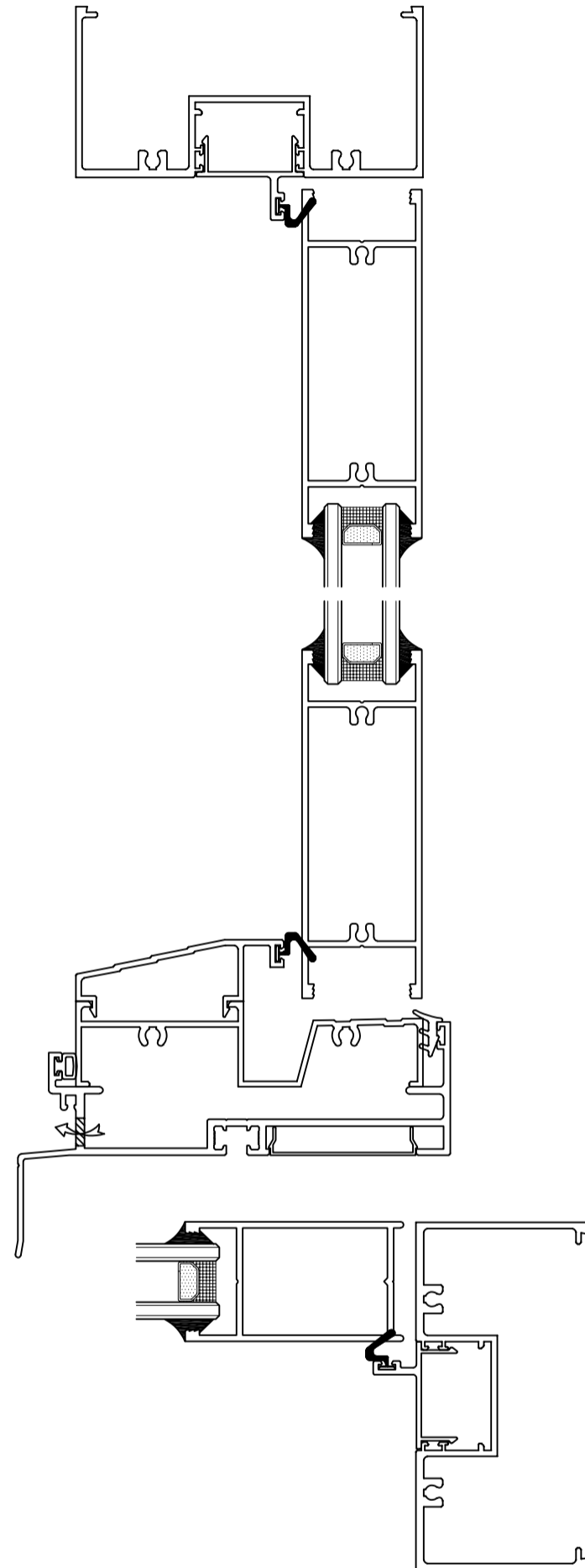
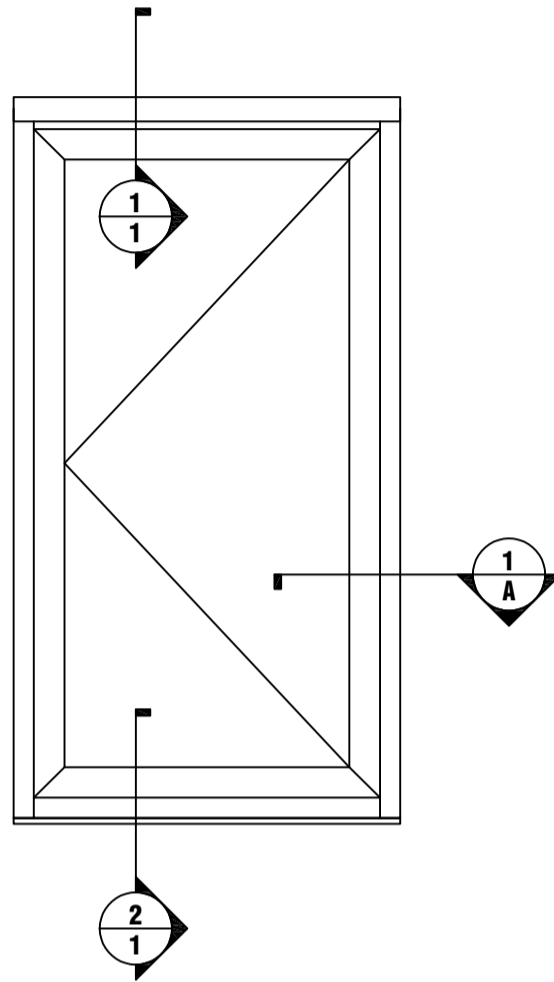
# H35 Series Hinged Door

## Product Detail



# H35 Series Hinged Door

## Product Brief Introduction



### COMPATIBLE WITH

- C101 Series Fix Window.
- T101 Series Sliding Door.
- HDT101 Series Sliding Door.

### Features & Benefits

- 101.6mm X 50mm Frame.
- Architectural Applications.
- Supports Single Glazing.
- Compatible Door And Window.

### GLAZING DETAILS

- 10.78Lam
- 5Clr;5Obs
- 6Clr;6Obs
- 5Clr/12Ar/ 5Clr
- 5Obs /12Ar/ 5Clr
- 5Low-E/12Ar/ 5Clr
- 6Clr/12Ar/ 6Clr
- 6Obs /12Ar/ 6Clr
- 6Low-E/12Ar/ 6Clr

### PRODUCT SPECS

Max.Recommended Sizes

•Height: 2400

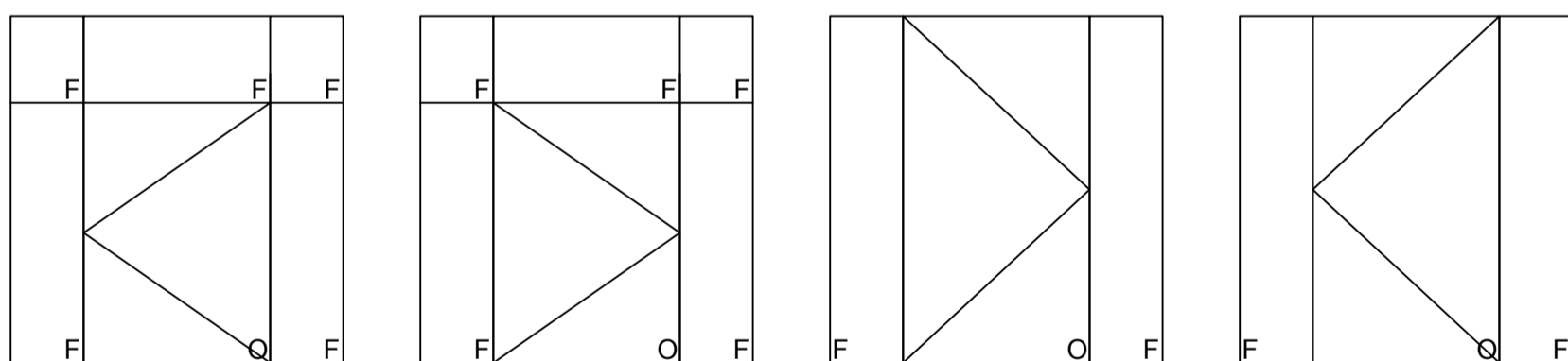
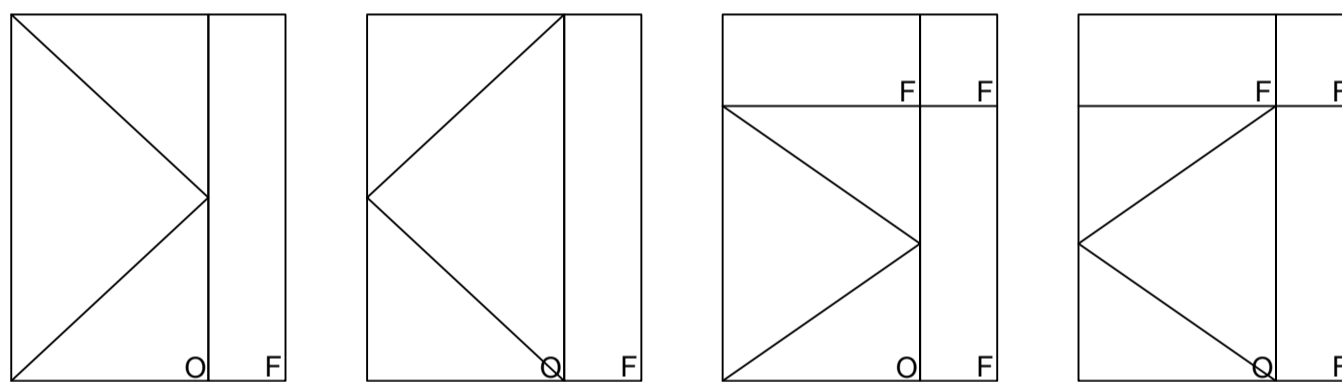
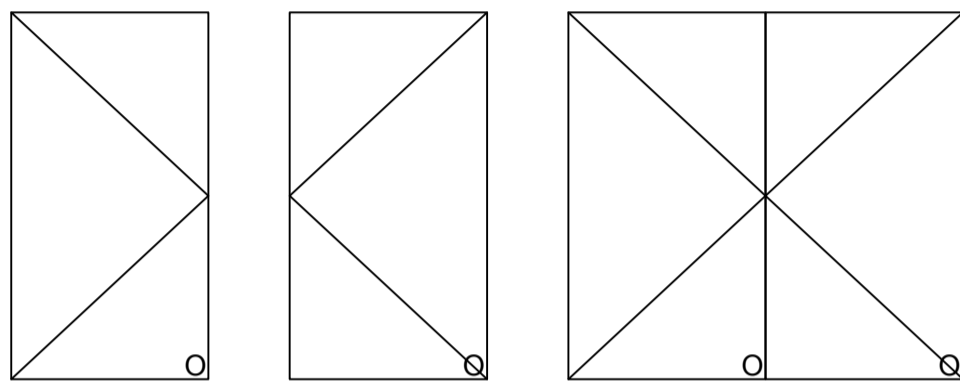
•Width: 900

Max.Product Performance

•Water (PA): 150 Pa

# H35 Series Hinged Door

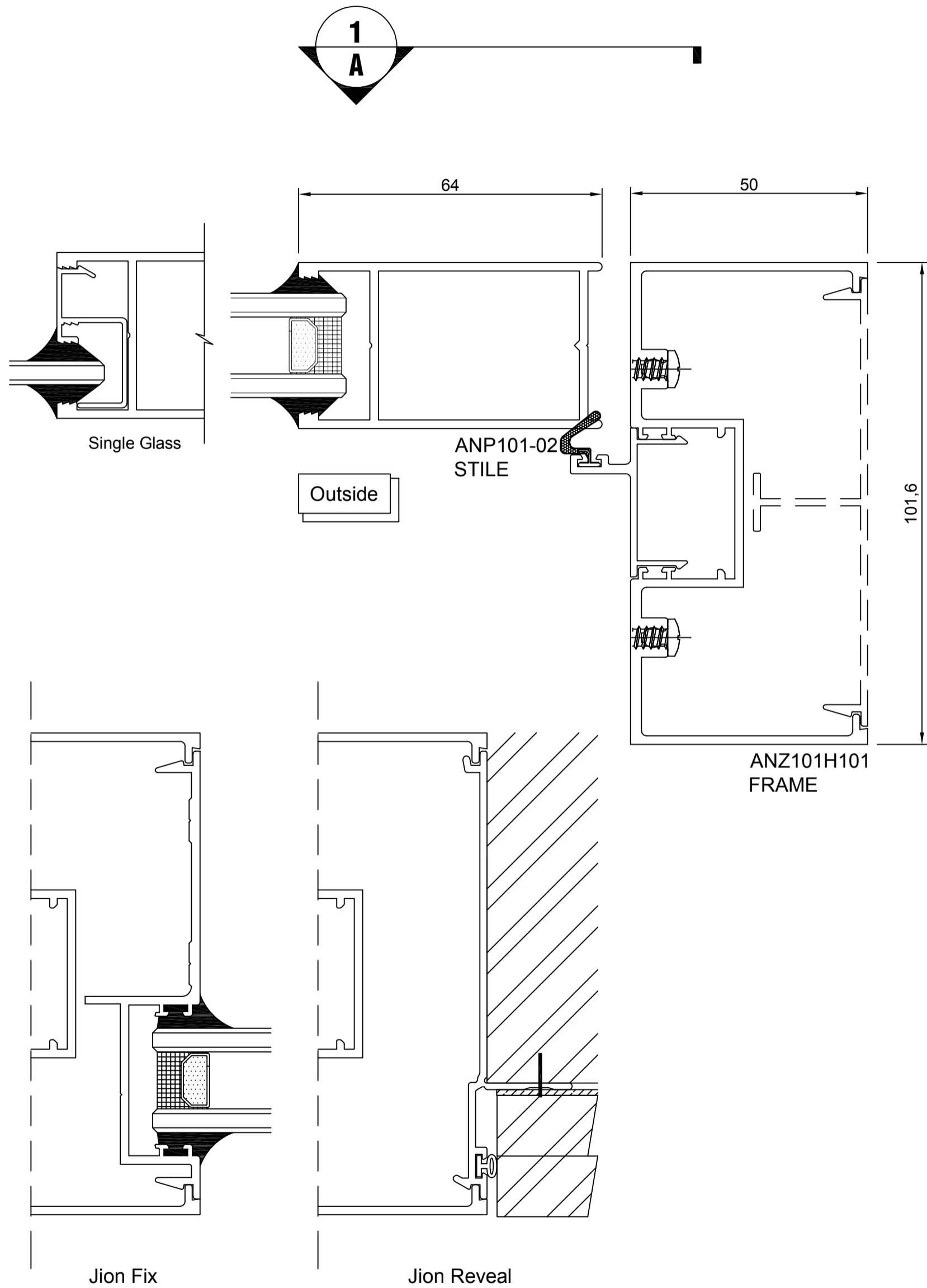
## Product form





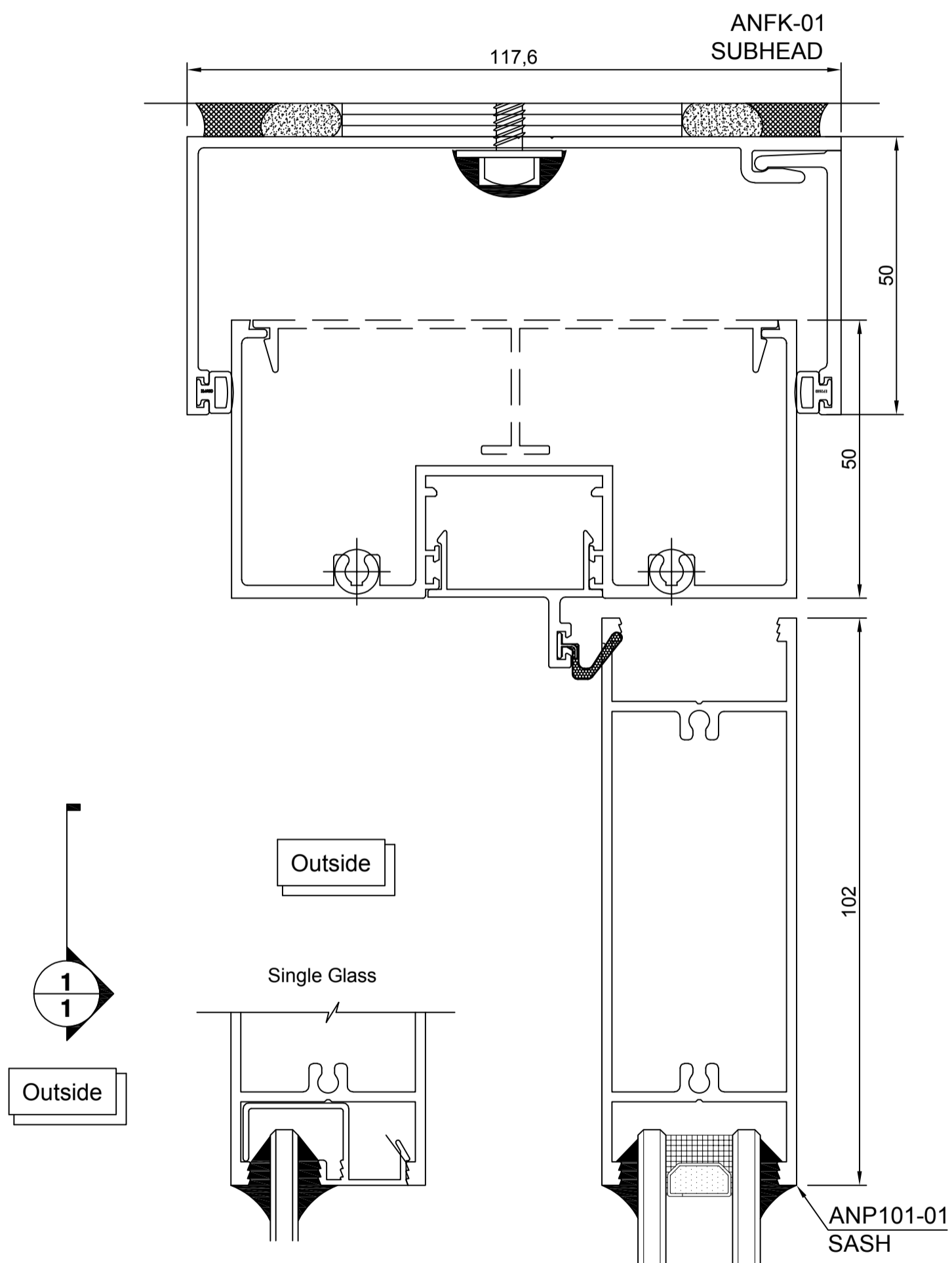
# H35 Series Hinged Door

## Product Detail



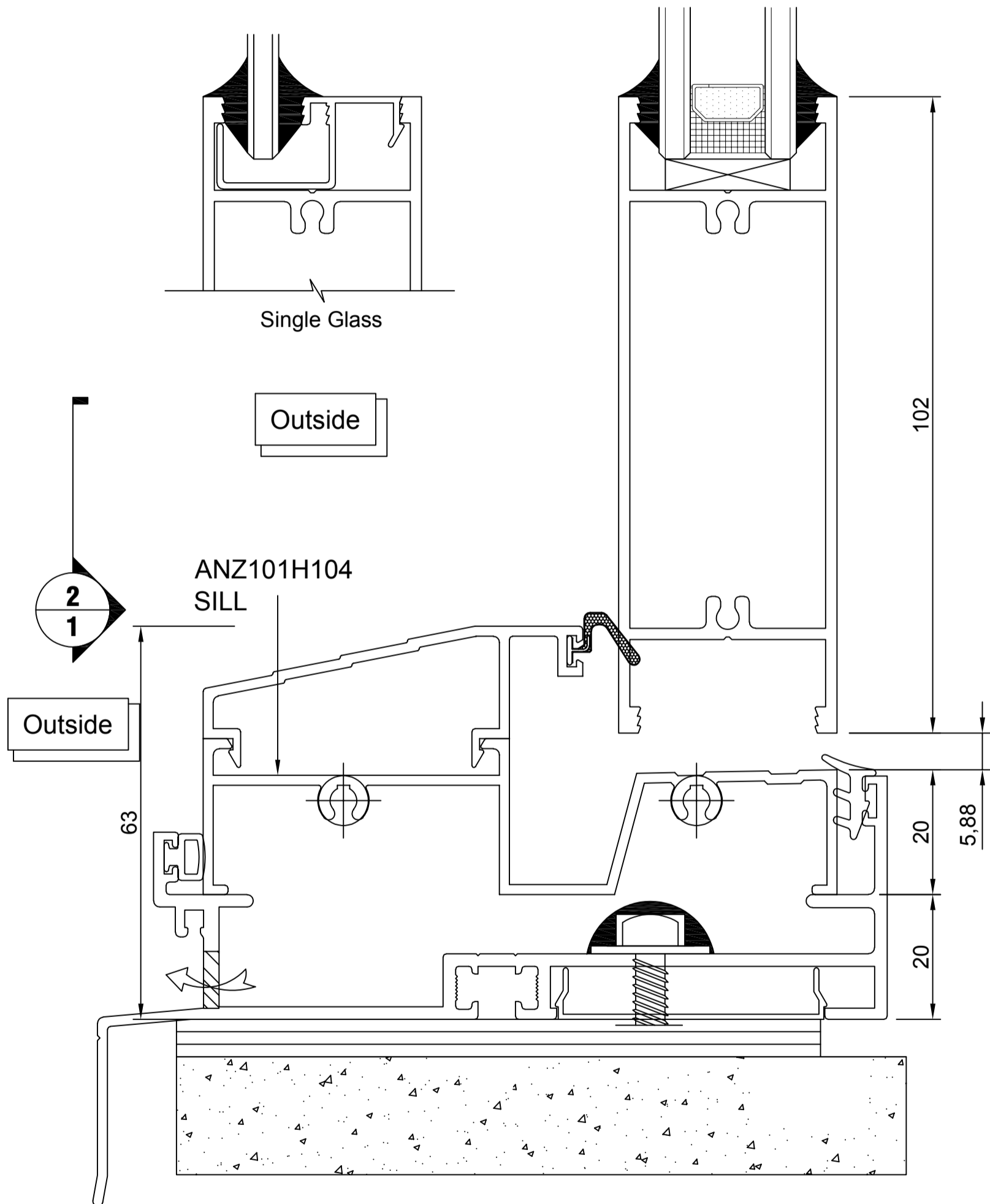
# H35 Series Hinged Door

## Product Detail



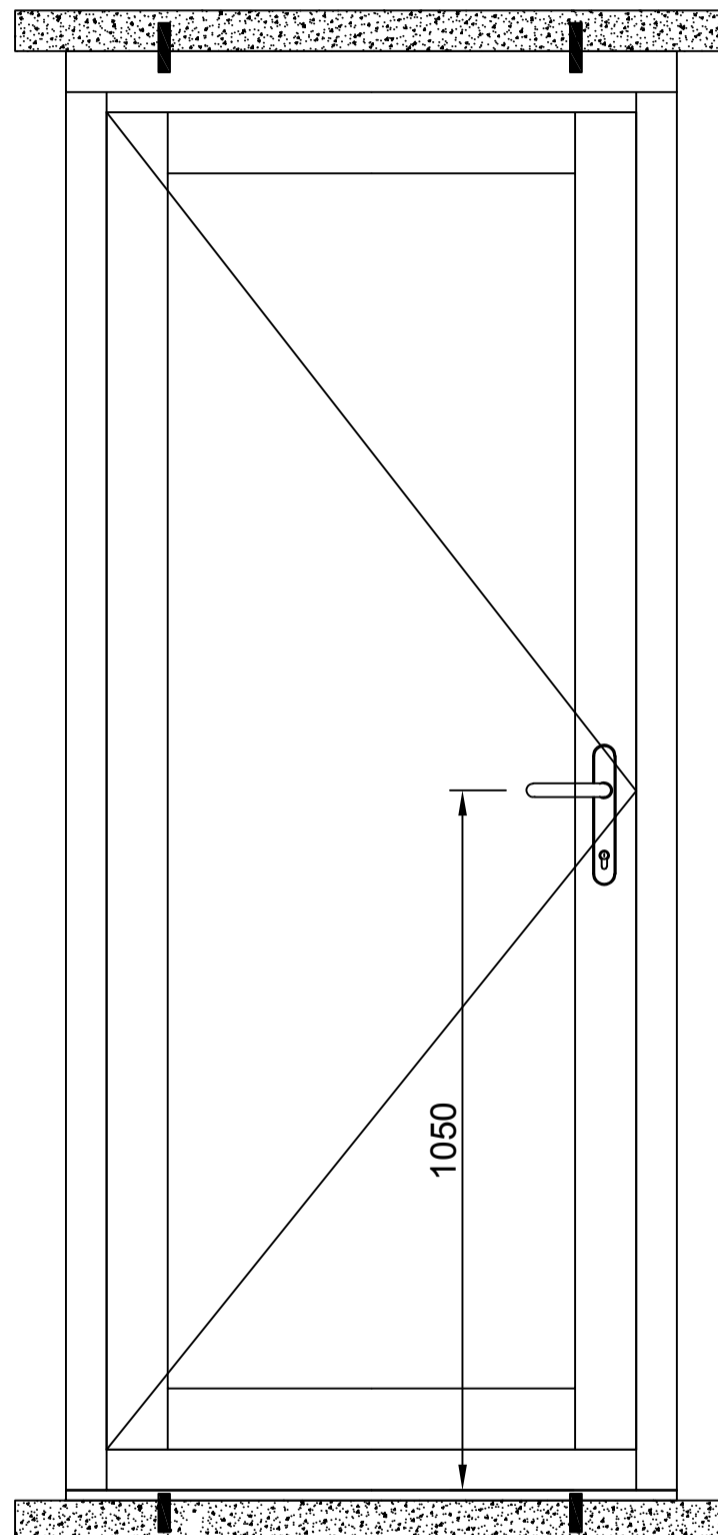
# H35 Series Hinged Door

## Product Detail



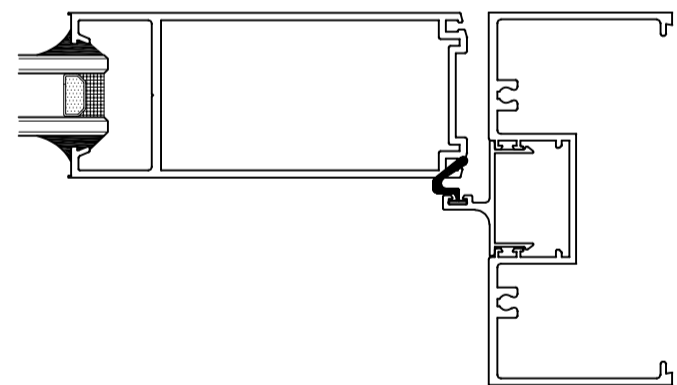
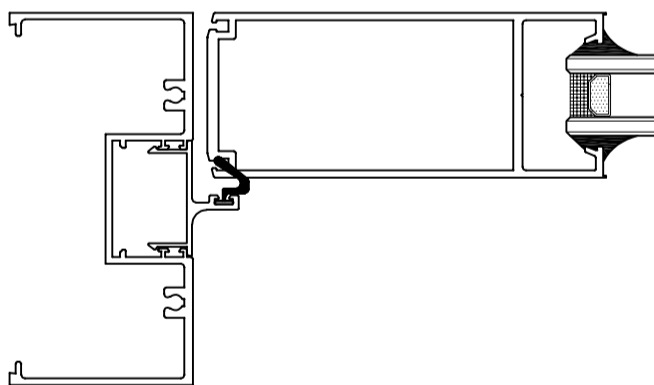
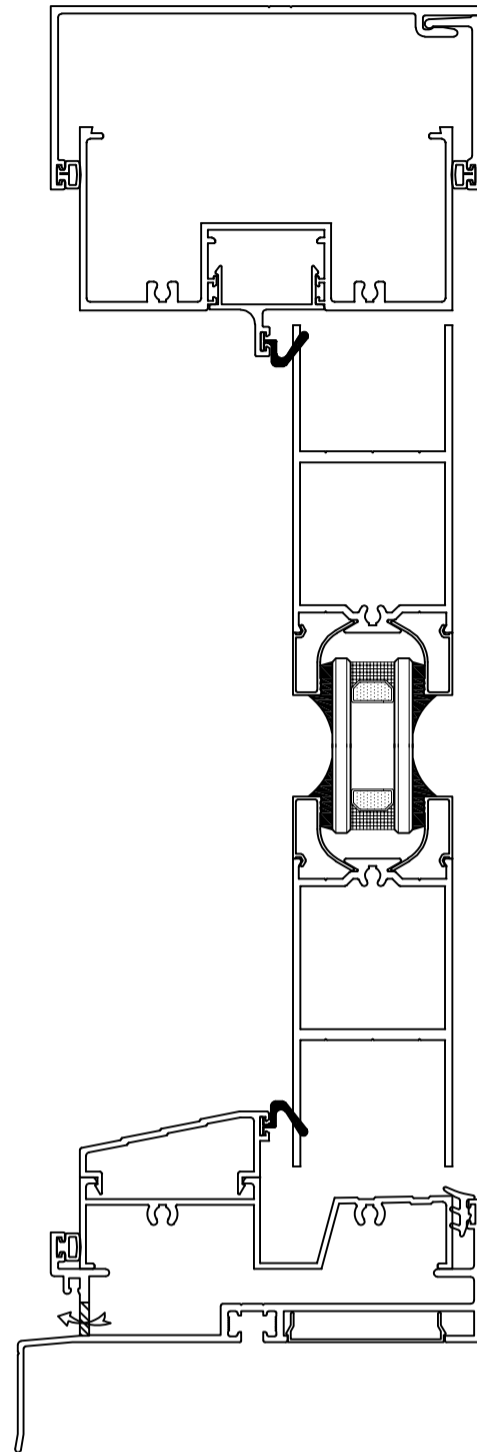
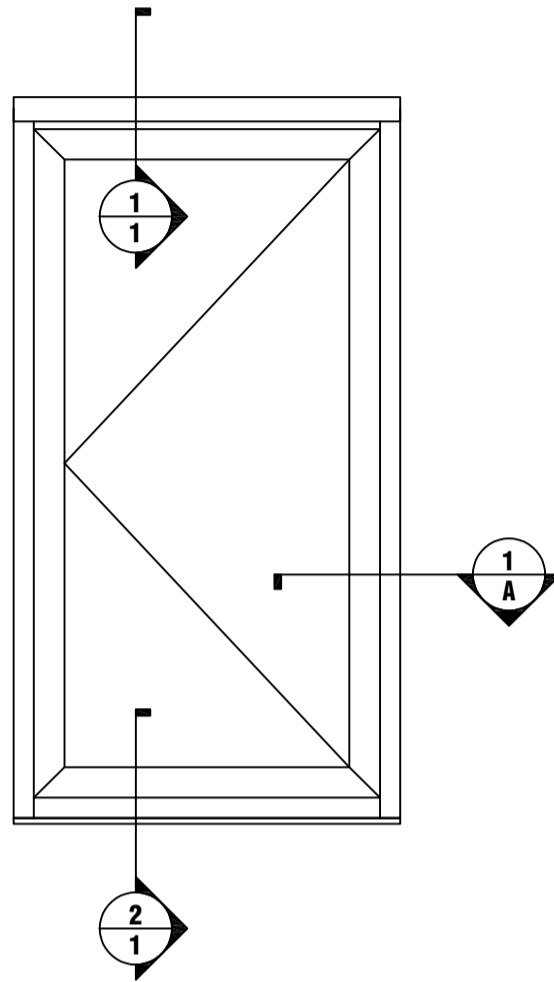
# H45 Series Hinged Door

## Product Detail



# H45 Series Hinged Door

## Product Brief Introduction



### COMPATIBLE WITH

- C101 Series Fix Window.
- T101 Series Sliding Door.
- HDT101 Series Sliding Door.

### Features & Benefits

- 101.6mm X 50mm Frame.
- Architectural Applications.
- Supports Single Glazing.
- Compatible Door And Window.

### GLAZING DETAILS

- 10.78Lam
- 5Clr;5Obs
- 6Clr;6Obs
- 5Clr/12Ar/ 5Clr
- 5Obs /12Ar/ 5Clr
- 5Low-E/12Ar/ 5Clr
- 6Clr/12Ar/ 6Clr
- 6Obs /12Ar/ 6Clr
- 6Low-E/12Ar/ 6Clr

### PRODUCT SPECS

Max.Recommended Sizes

•Height: 2500

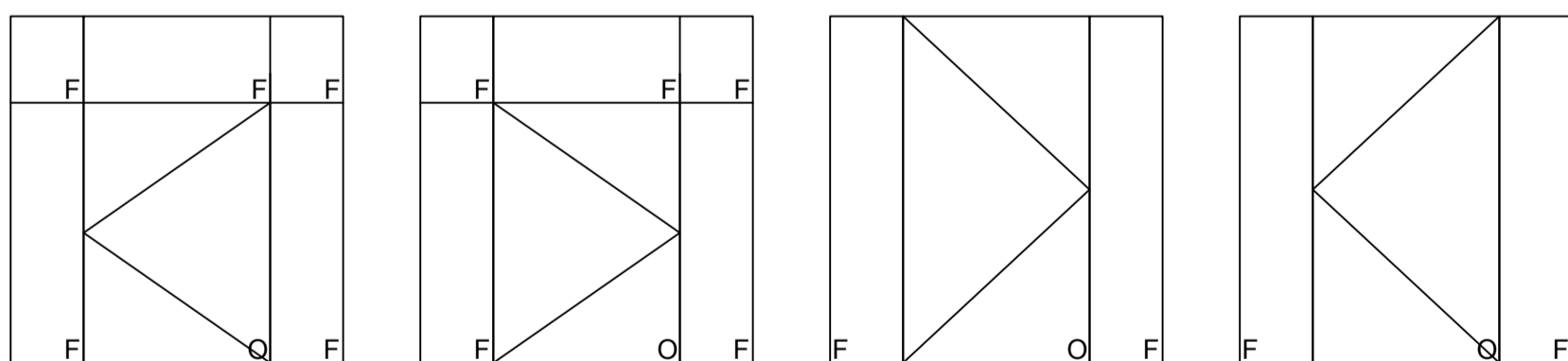
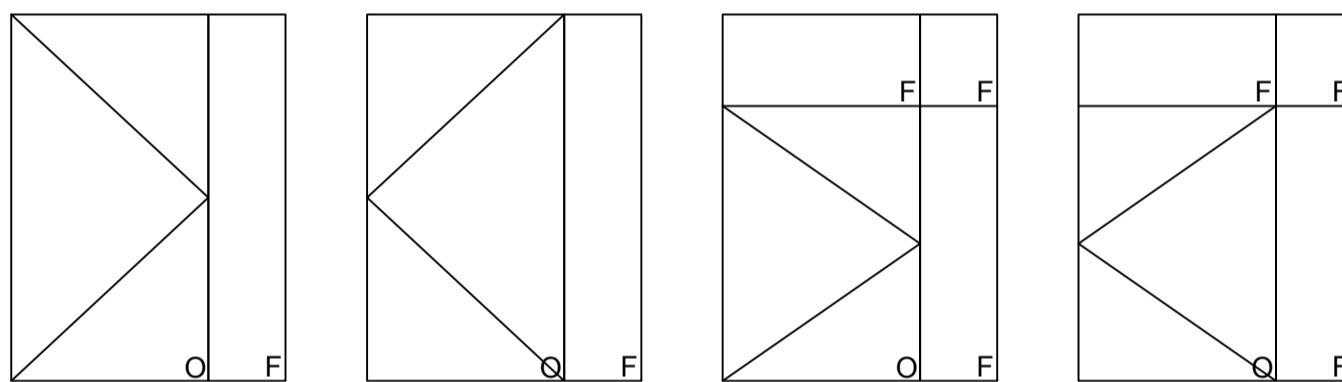
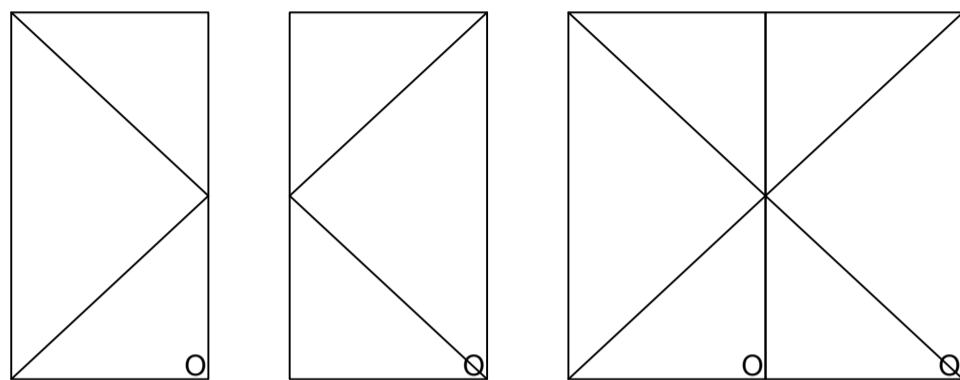
•Width: 1050

Max.Product Performance

•Water (PA): 150 Pa

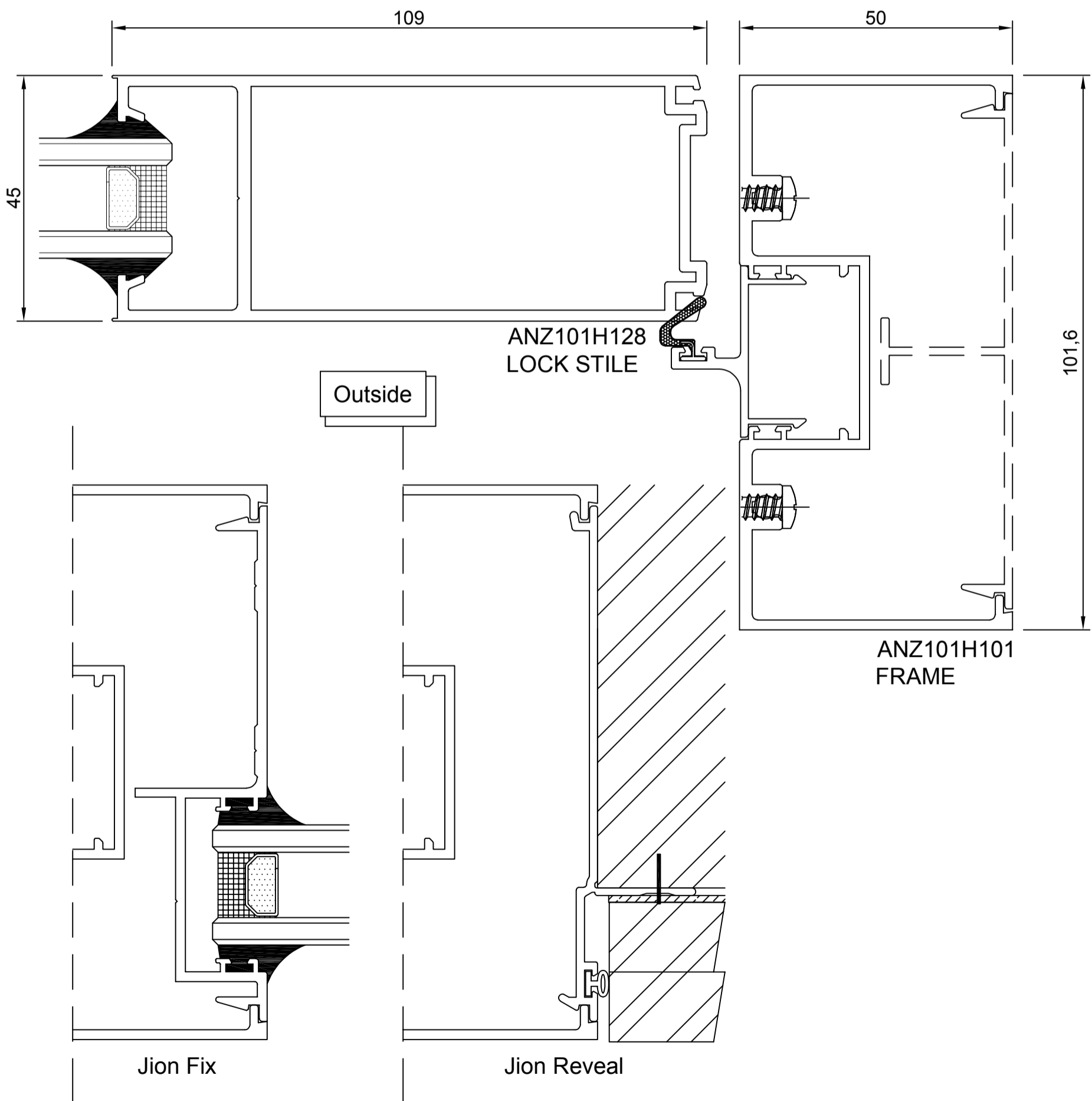
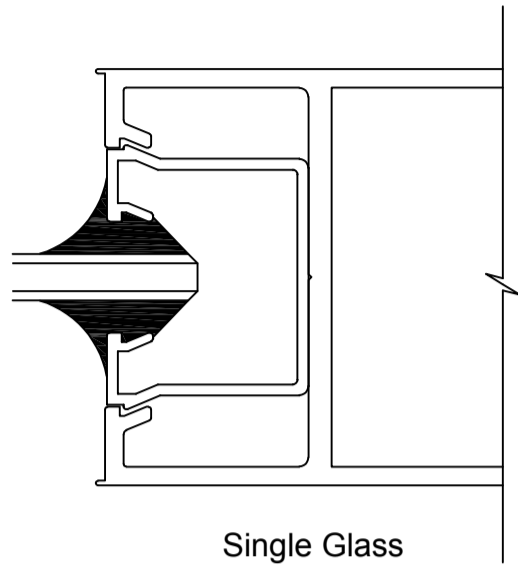
# H45 Series Hinged Door

## Product form



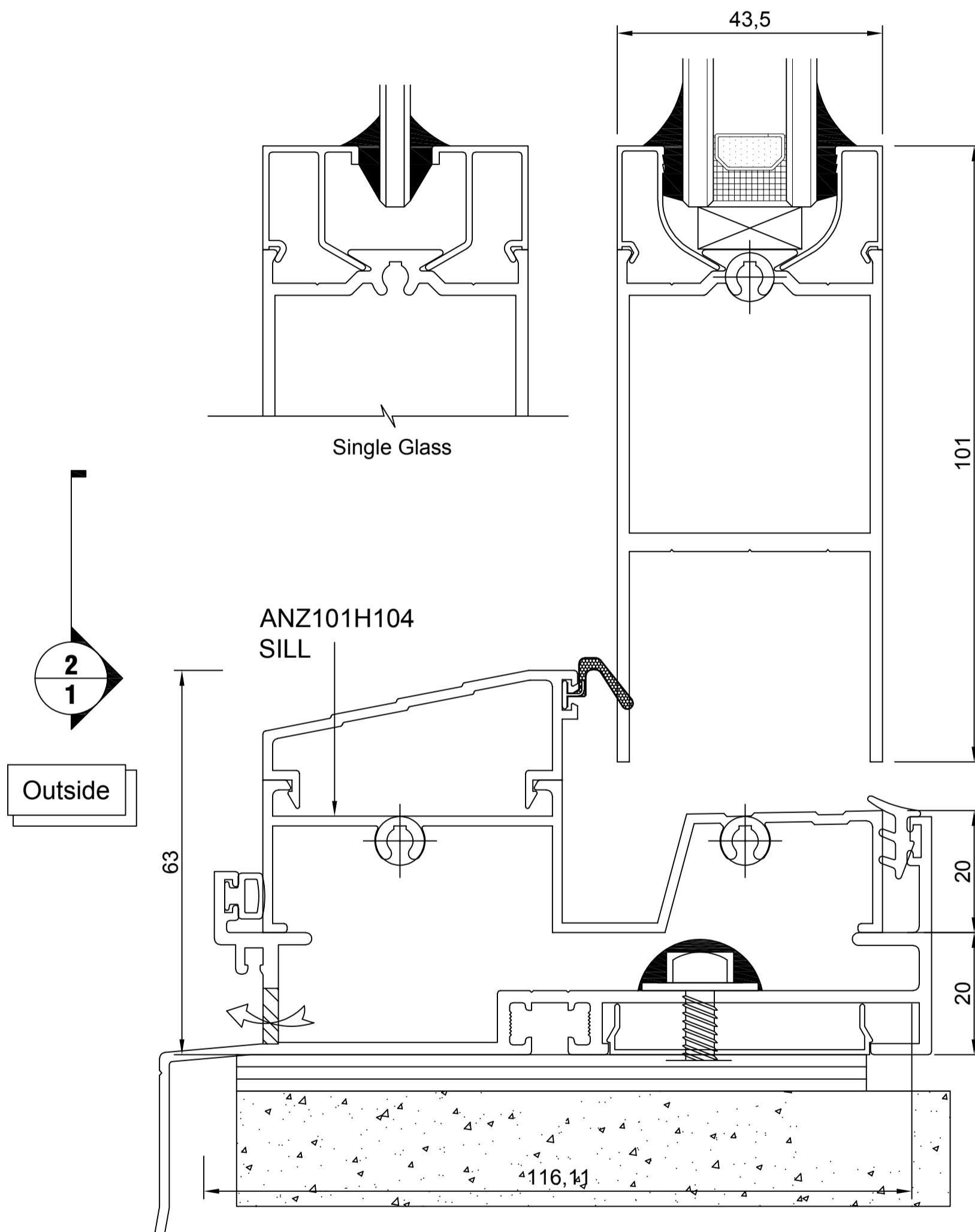
# H45 Series Hinged Door

## Product Detail



# H45 Series Hinged Door

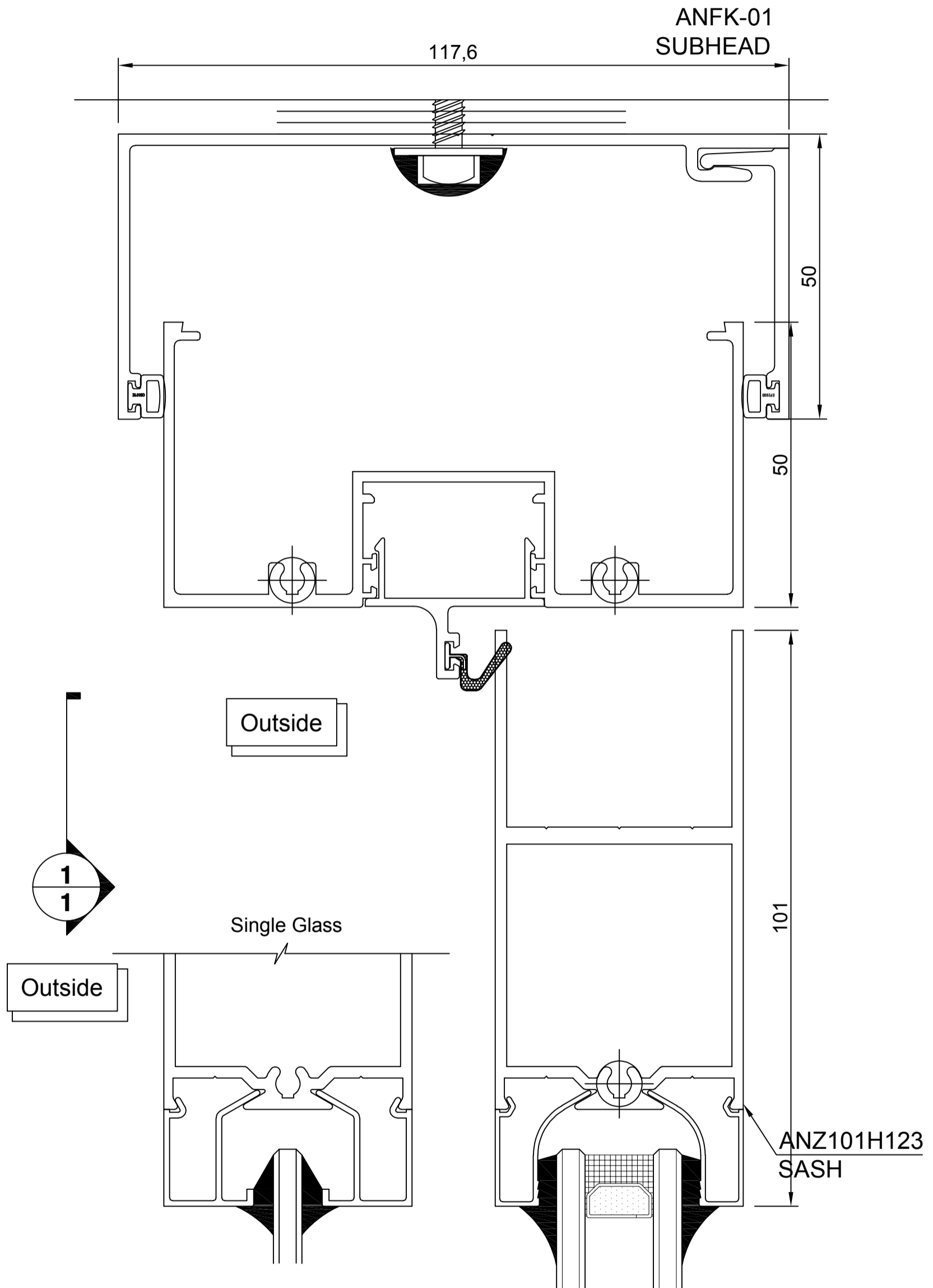
## Product Detail



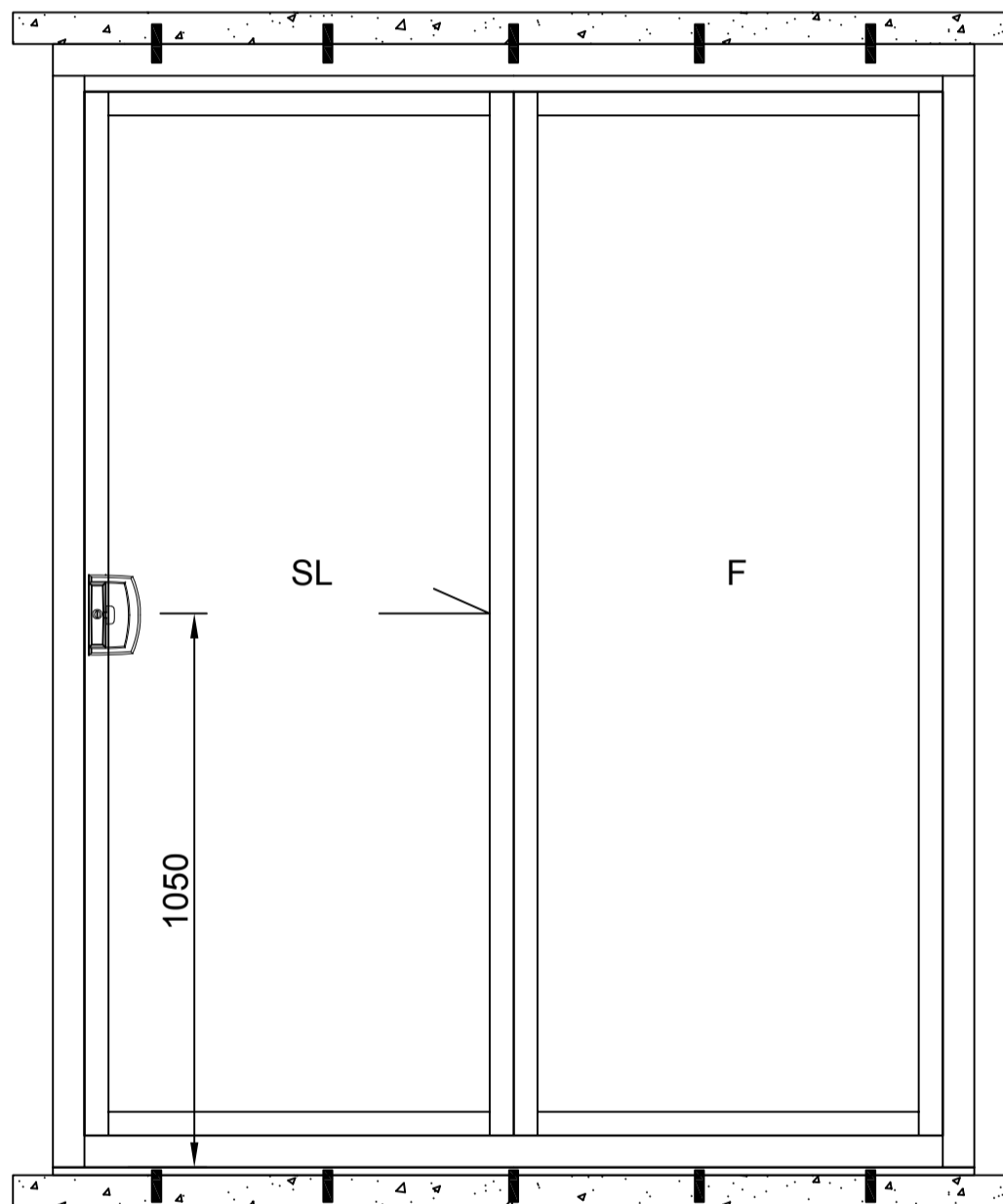


# H45 Series Hinged Door

## Product Detail

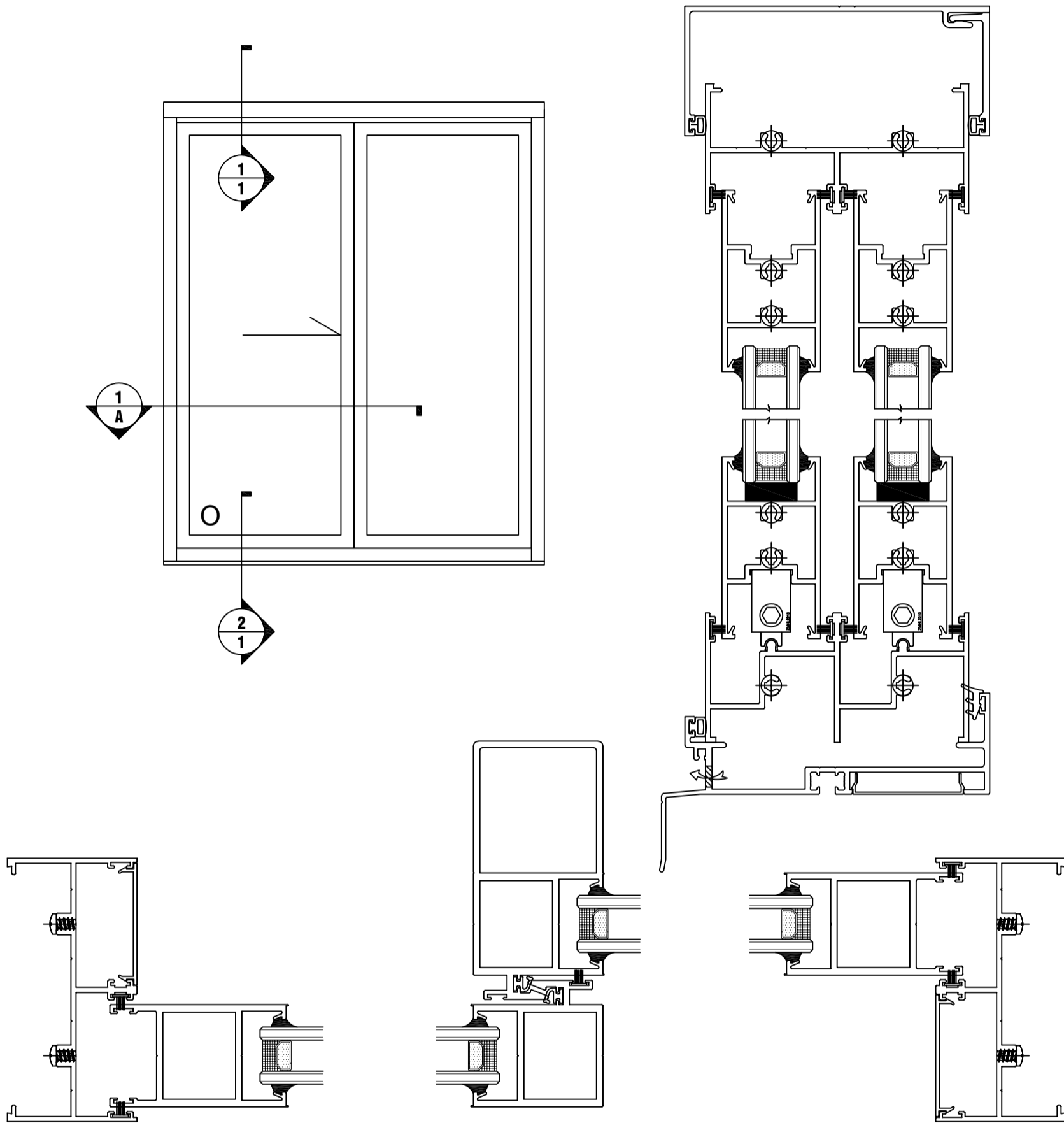


# HDT101 Series Sliding Door



# HDT101 Series Sliding Door

## Product Brief Introduction



### COMPATIBLE WITH

- C101 Series Window.
- H35 Series Hinged Door.
- H45 Series Hinged Door.

### Features & Benefits

- 101.6mm X 50mm Frame.
- Architectural Applications.
- Supports Single Glazing.
- Compatible Door And Window.

### GLAZING DETAILS

- 5Clr/12Ar/ 5Clr
- 5Obs /12Ar/ 5Clr
- 5Low-E/12Ar/ 5Clr
- 6Clr/12Ar/ 6Clr
- 6Obs /12Ar/ 6Clr
- 6Low-E/12Ar/ 6Clr

### PRODUCT SPECS

Max.Recommended Sizes

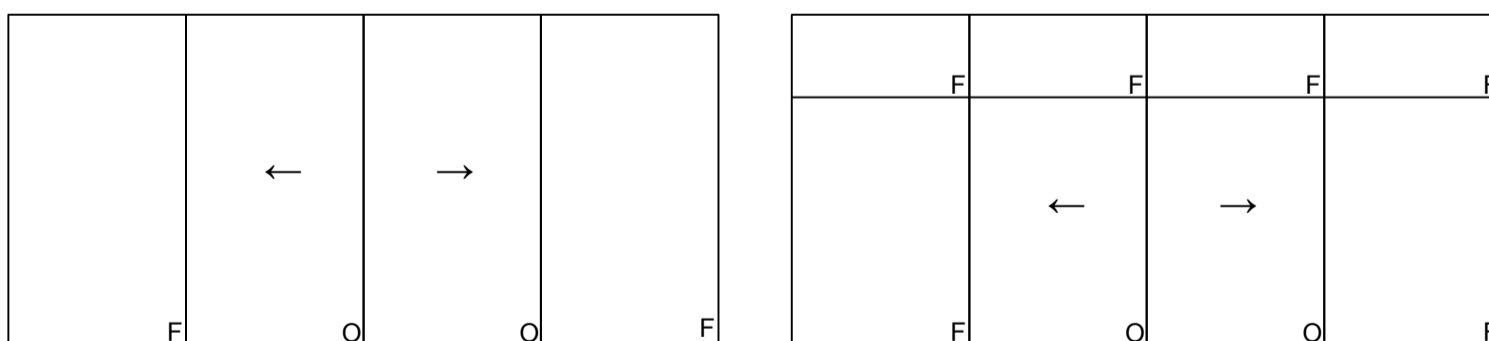
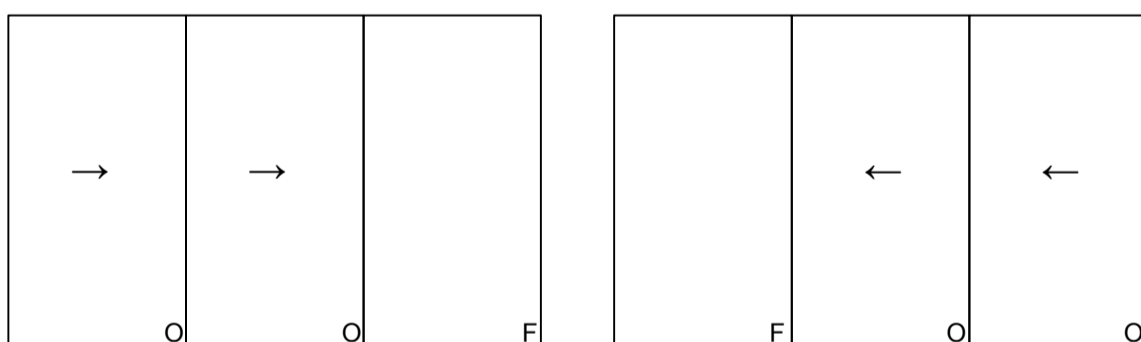
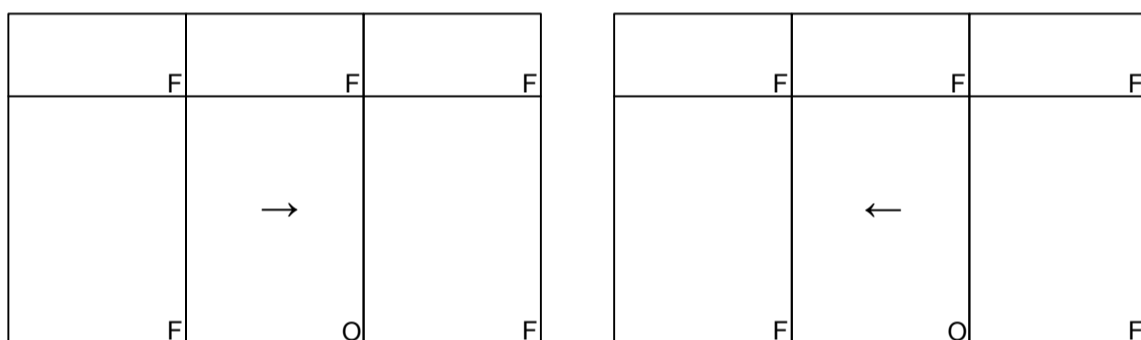
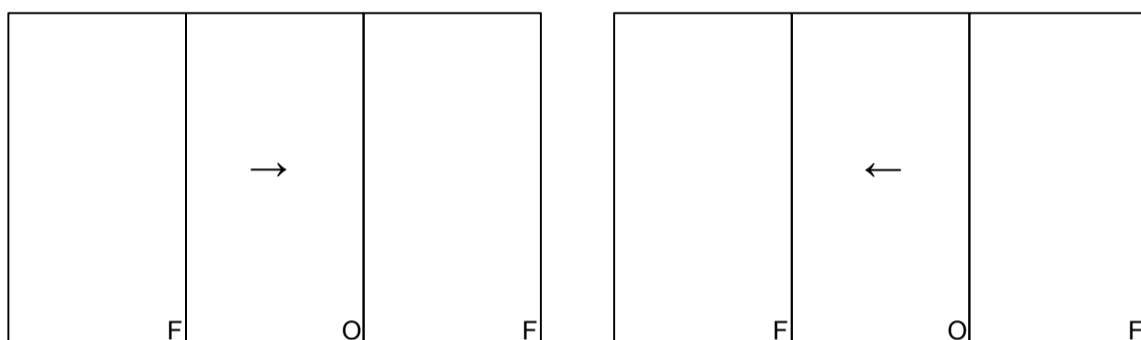
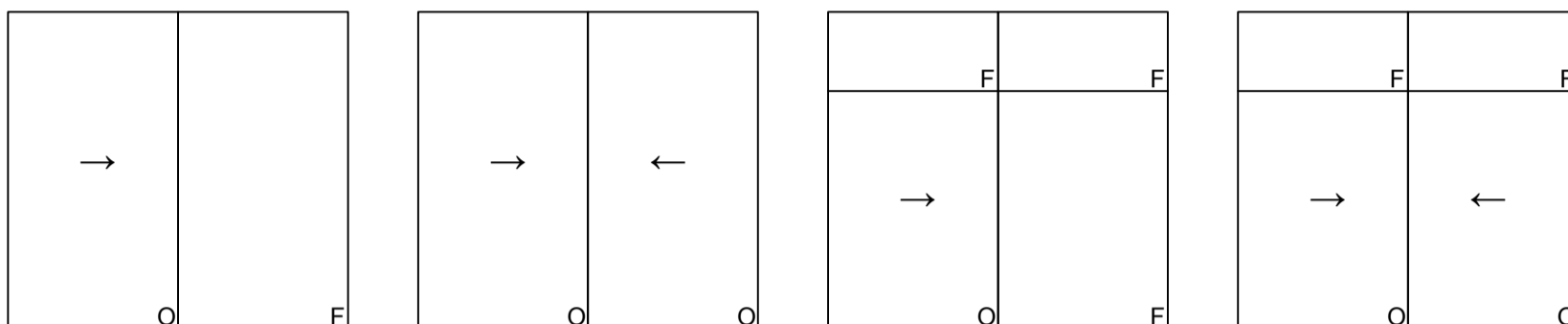
- Height: 3000
- Width: 4000

Max.Product Performance

- Water (PA): Null

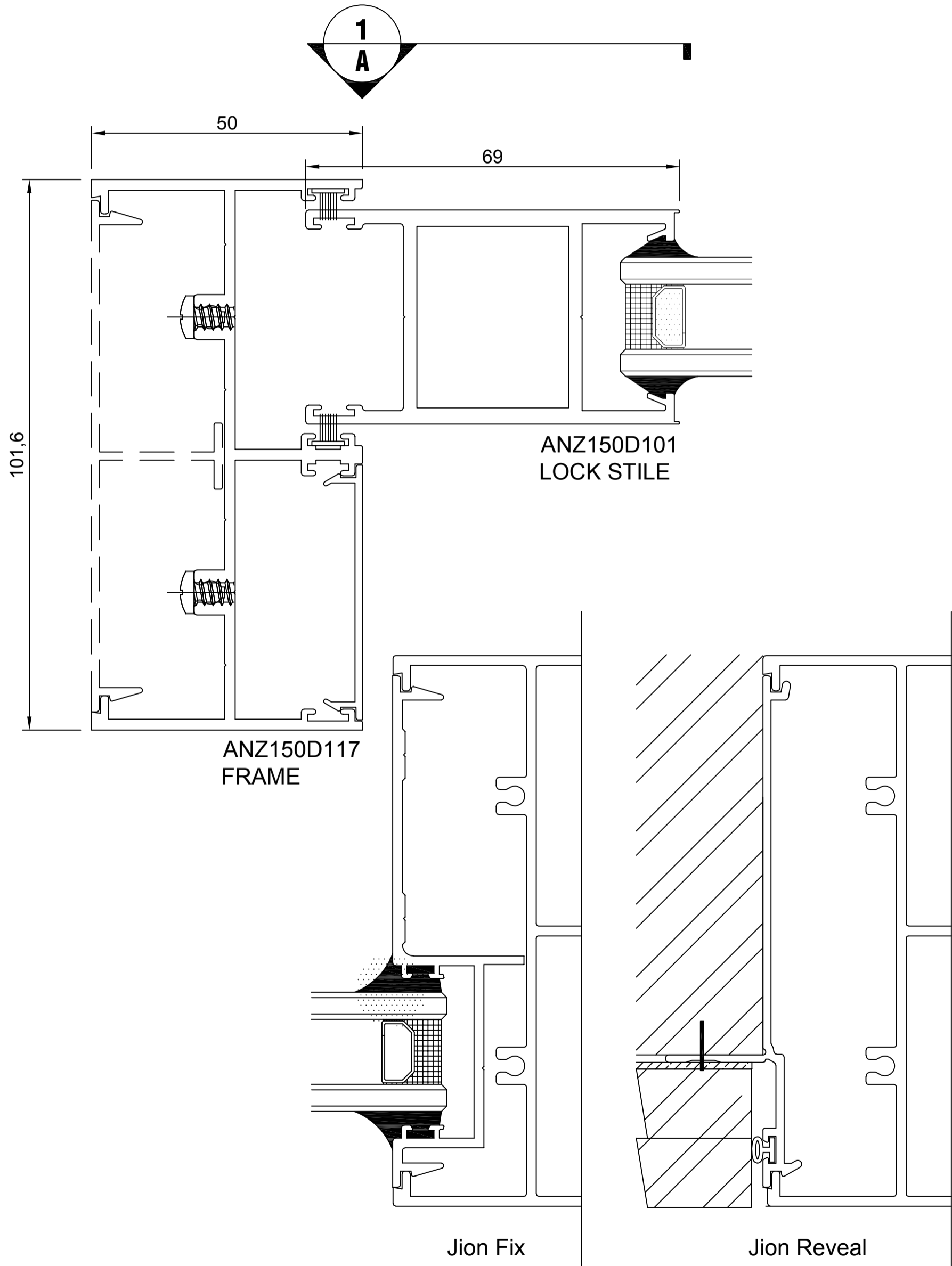
# HDT101 Series Sliding Door

## Product form



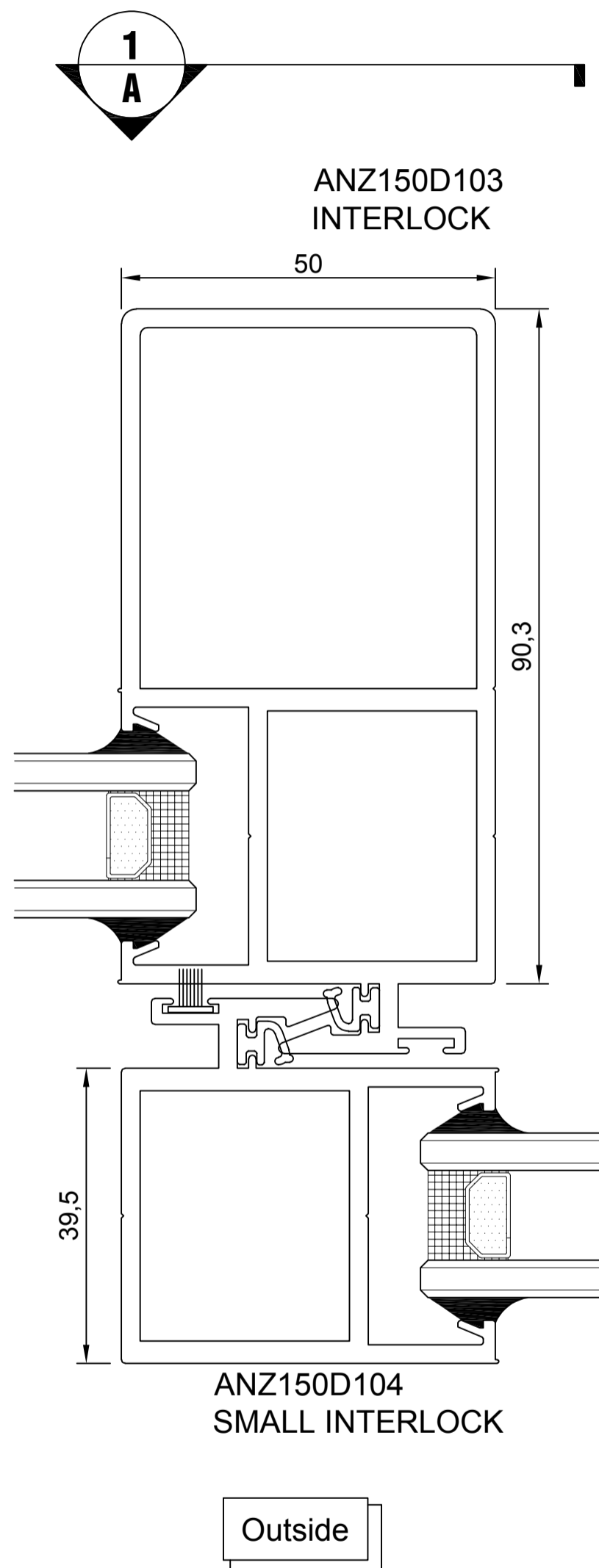
# HDT101 Series Sliding Door

## Product Detail



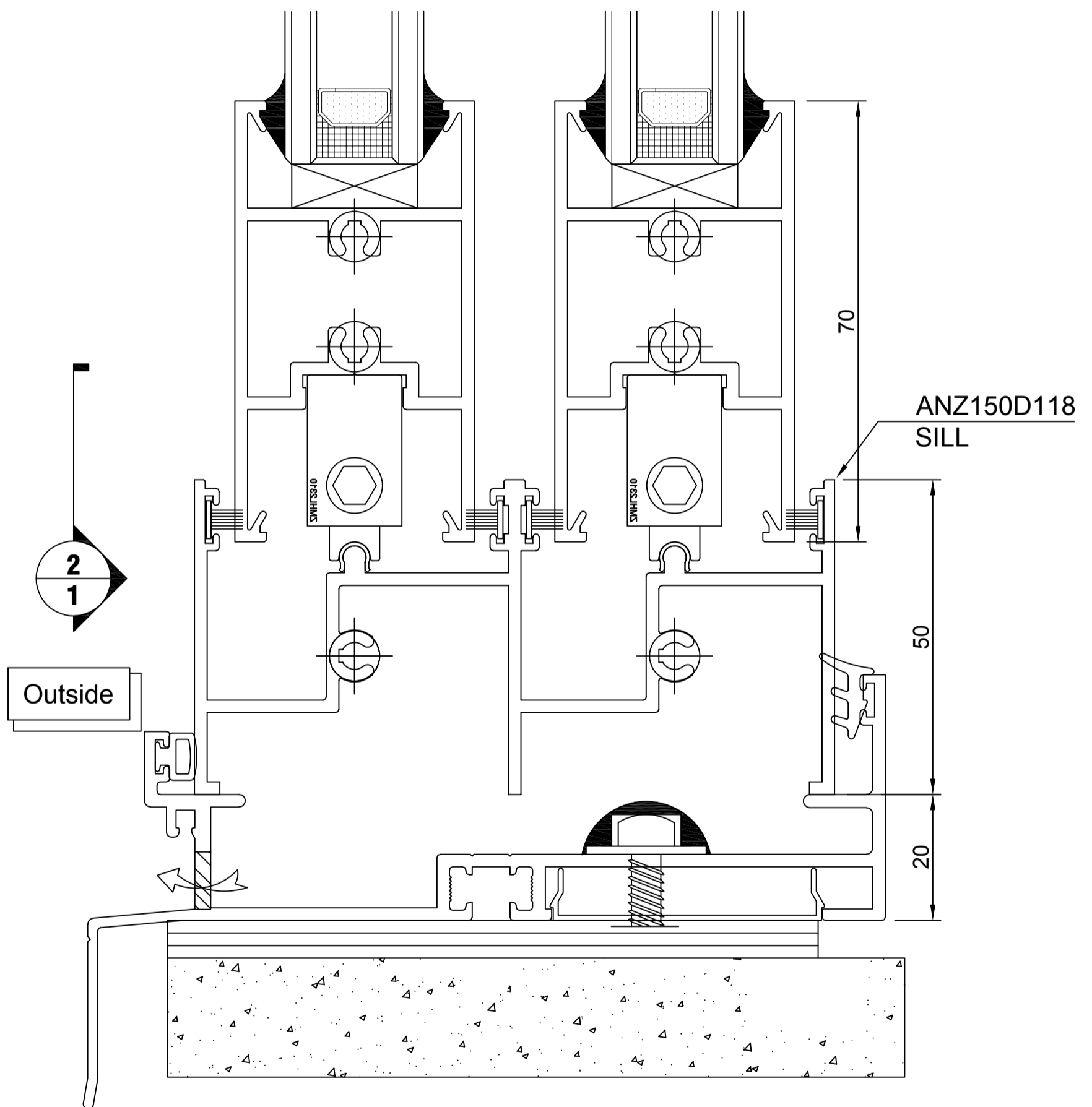
# HDT101 Series Sliding Door

## Product Detail



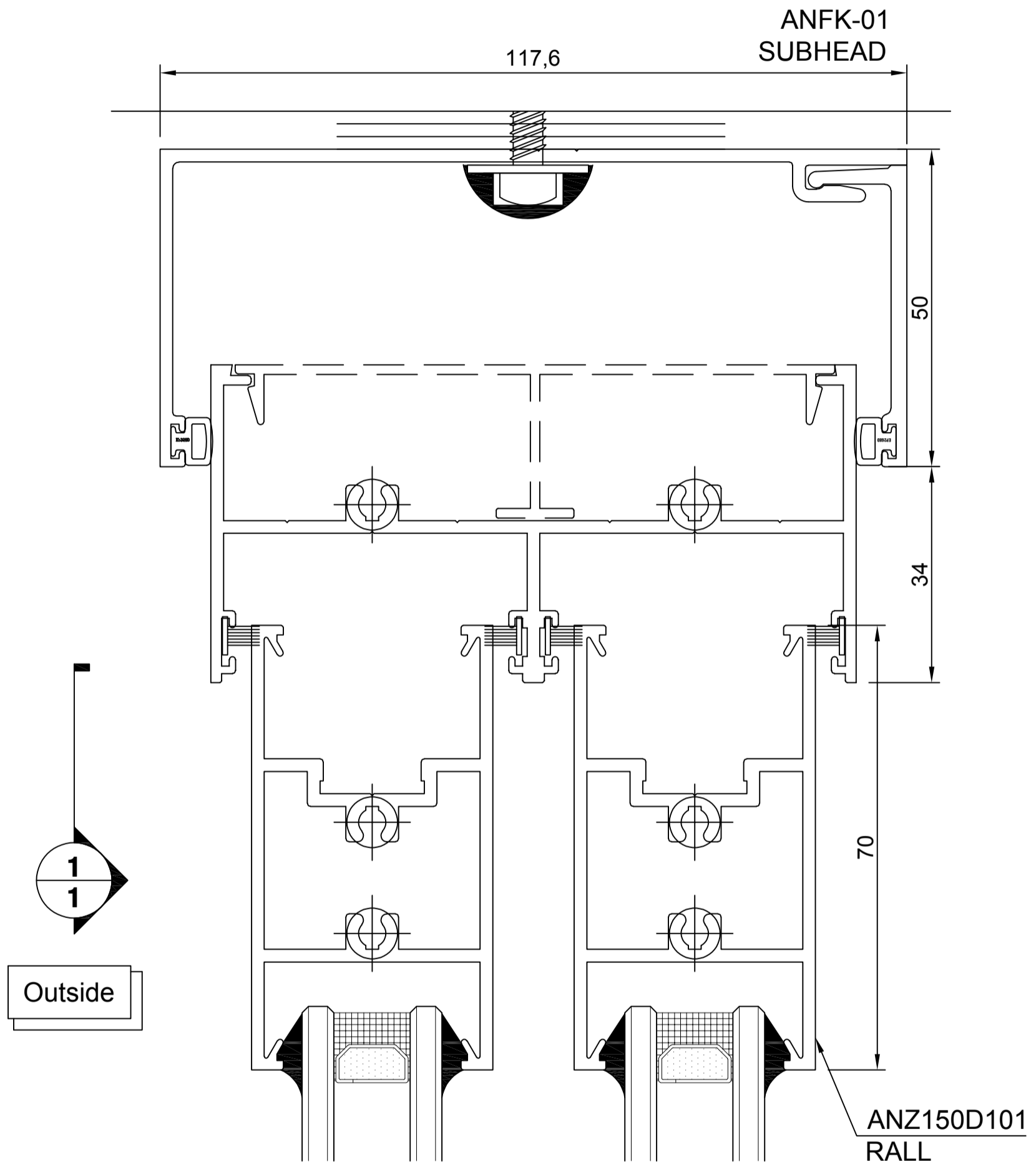
# HDT101 Series Sliding Door

## Product Detail



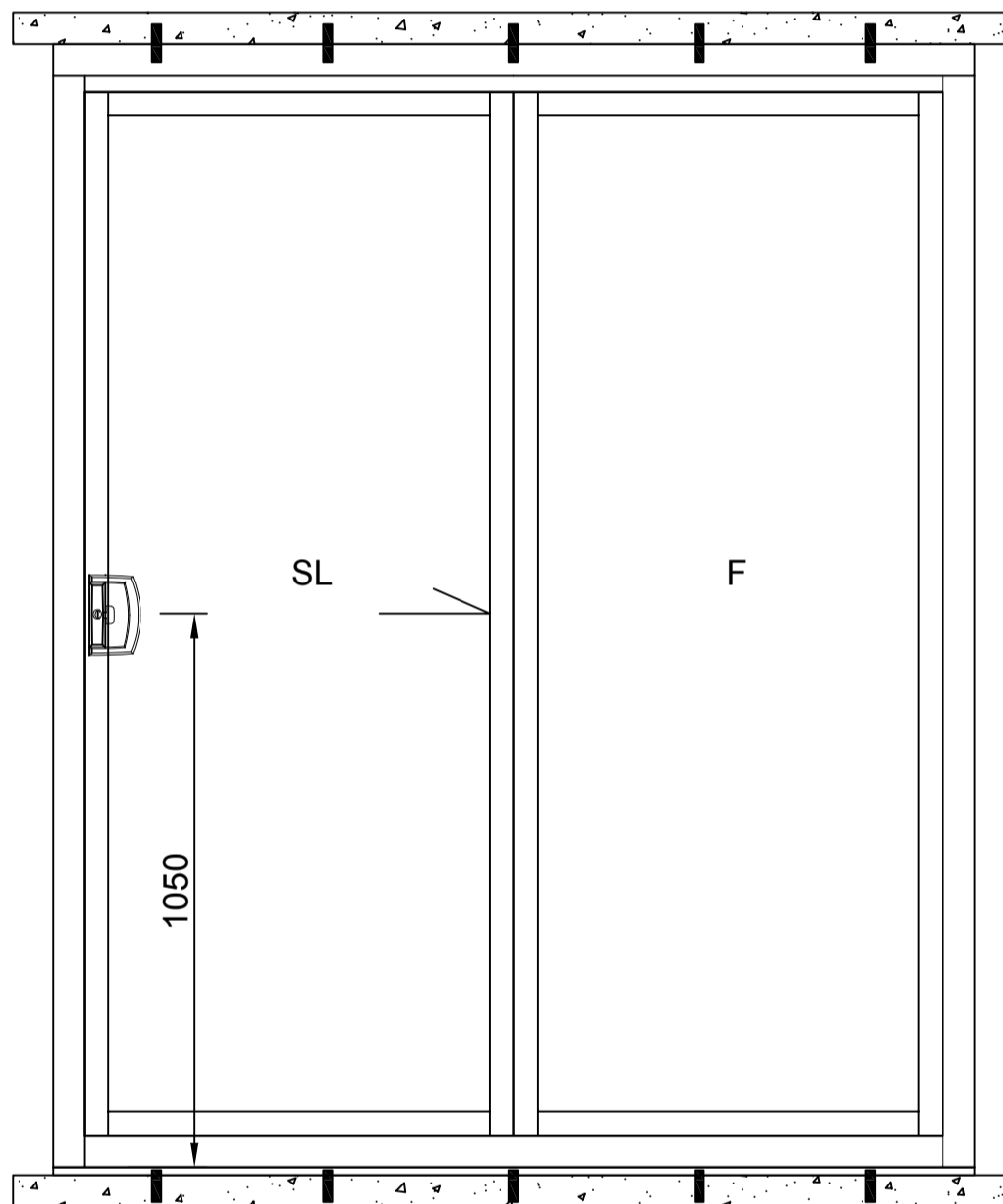
# HDT101 Series Sliding Door

## Product Detail



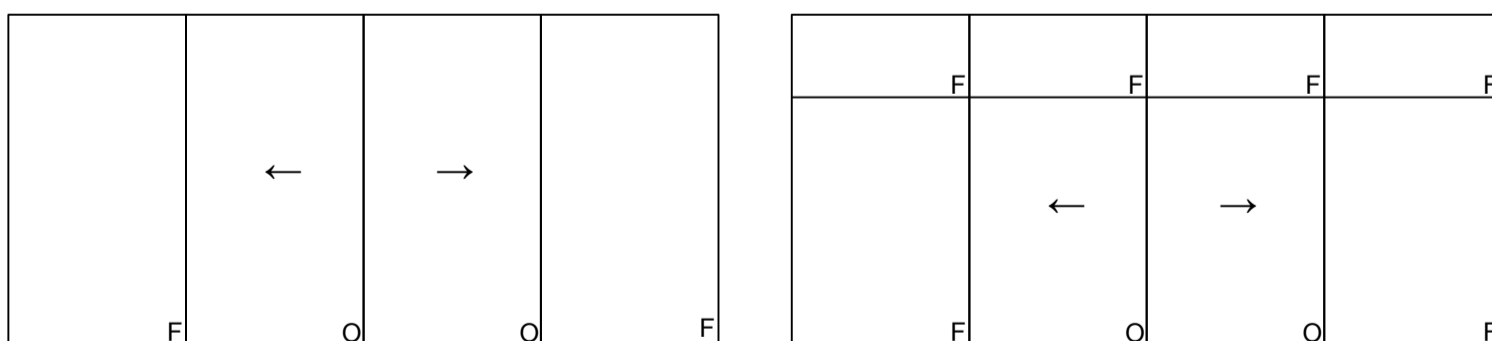
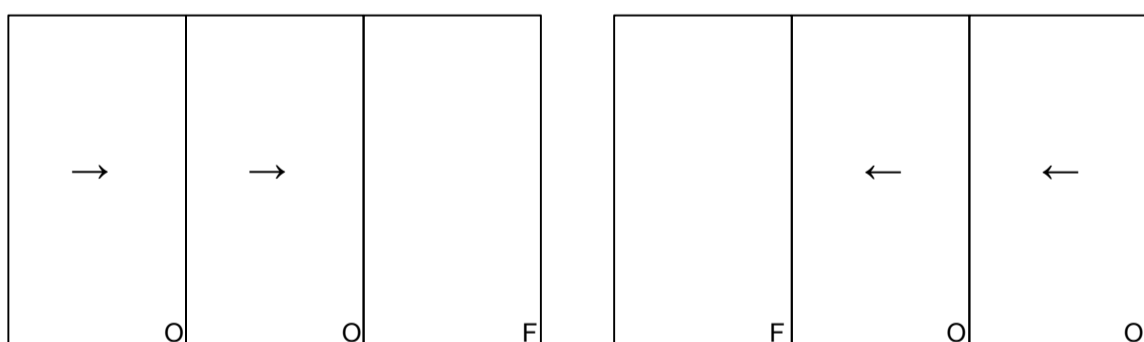
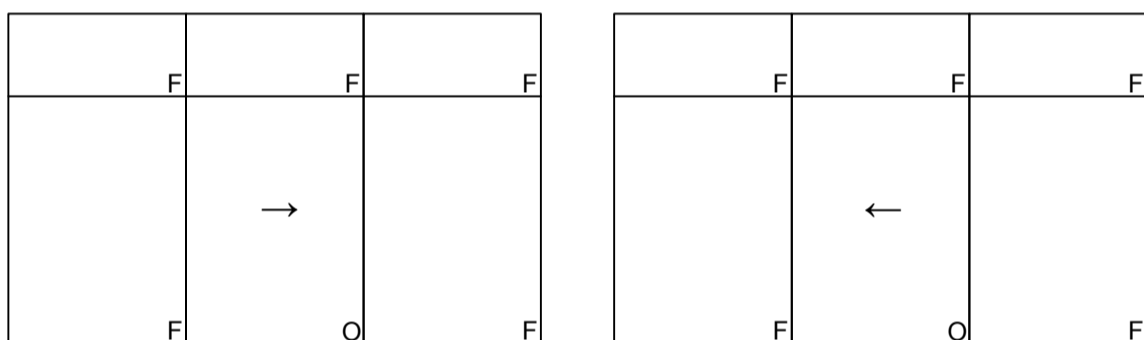
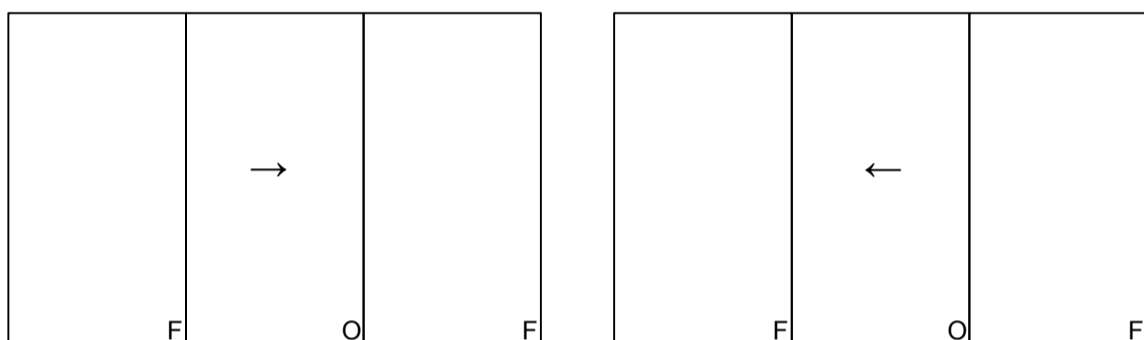
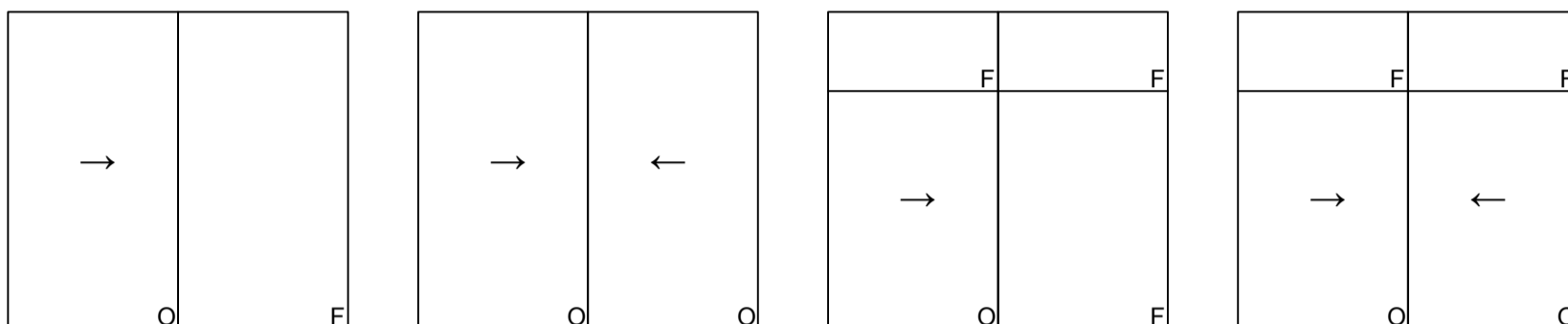


# HDT150 Series Sliding Door



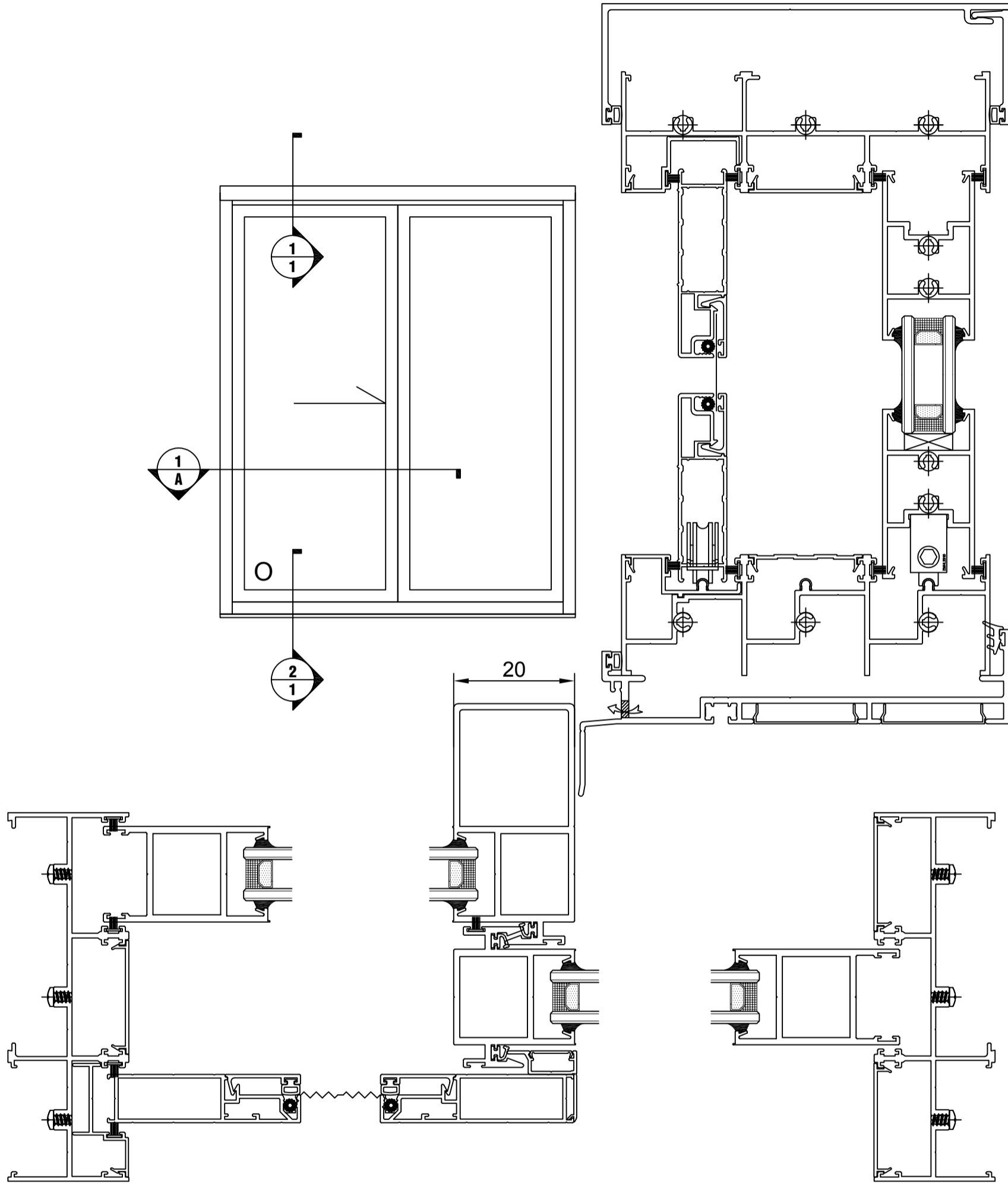
# HDT150 Series Sliding Door

## Product form



# HDT150 Series Sliding Door

## Product Brief Introduction



### COMPATIBLE WITH

### Features & Benefits

- 152.4mm X 50mm Frame.
- Architectural Applications.
- Supports Single Glazing.
- Compatible Door And Window.

### GLAZING DETAILS

- 5Clr/12Ar/ 5Clr
- 5Obs /12Ar/ 5Clr
- 5Low-E/12Ar/ 5Clr
- 6Clr/12Ar/ 6Clr
- 6Obs /12Ar/ 6Clr
- 6Low-E/12Ar/ 6Clr

### PRODUCT SPECS

#### Max.Recommended Sizes

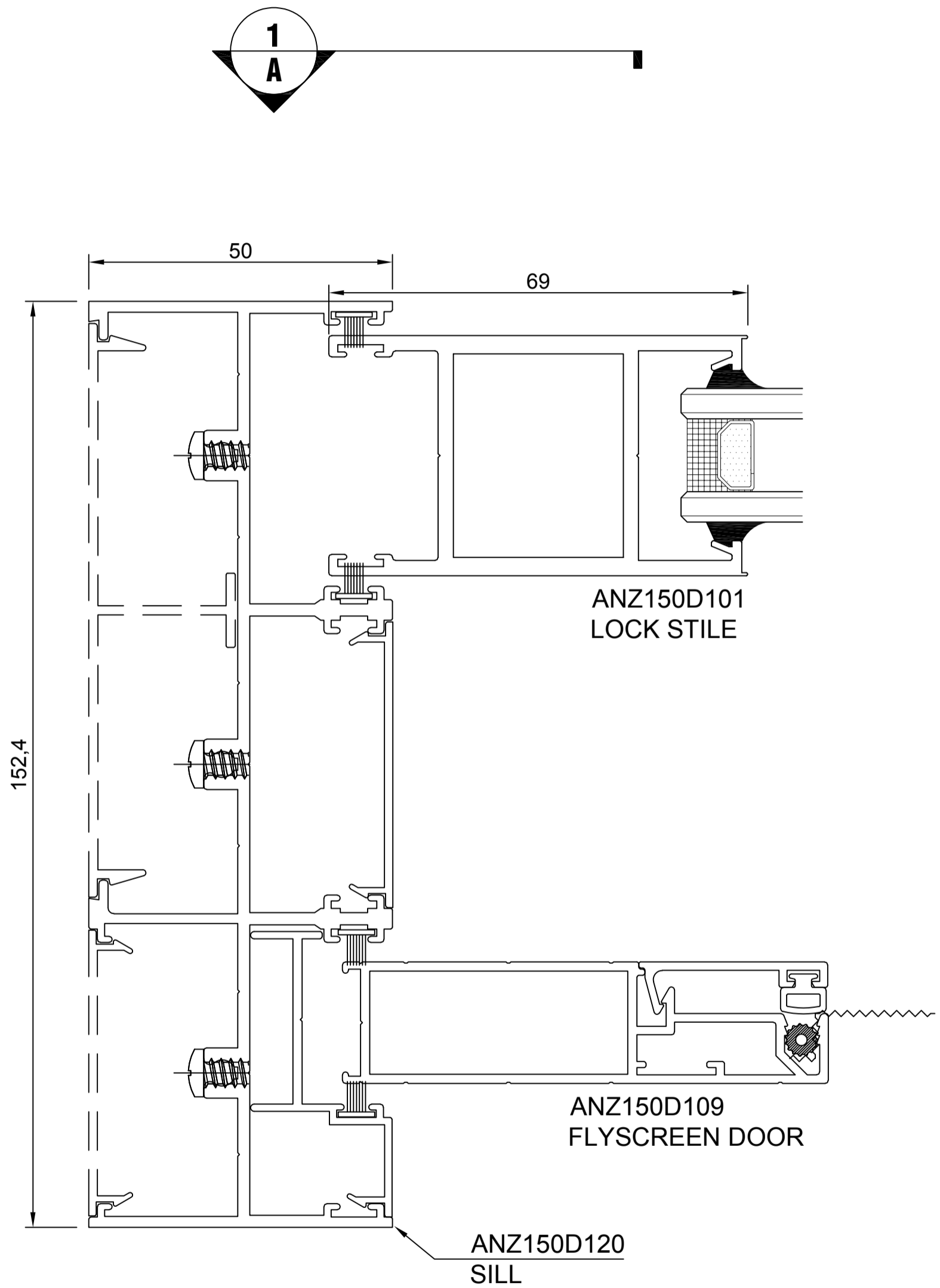
- Height: 3000
- Width: 4000

#### Max.Product Performance

- Water (PA): Null

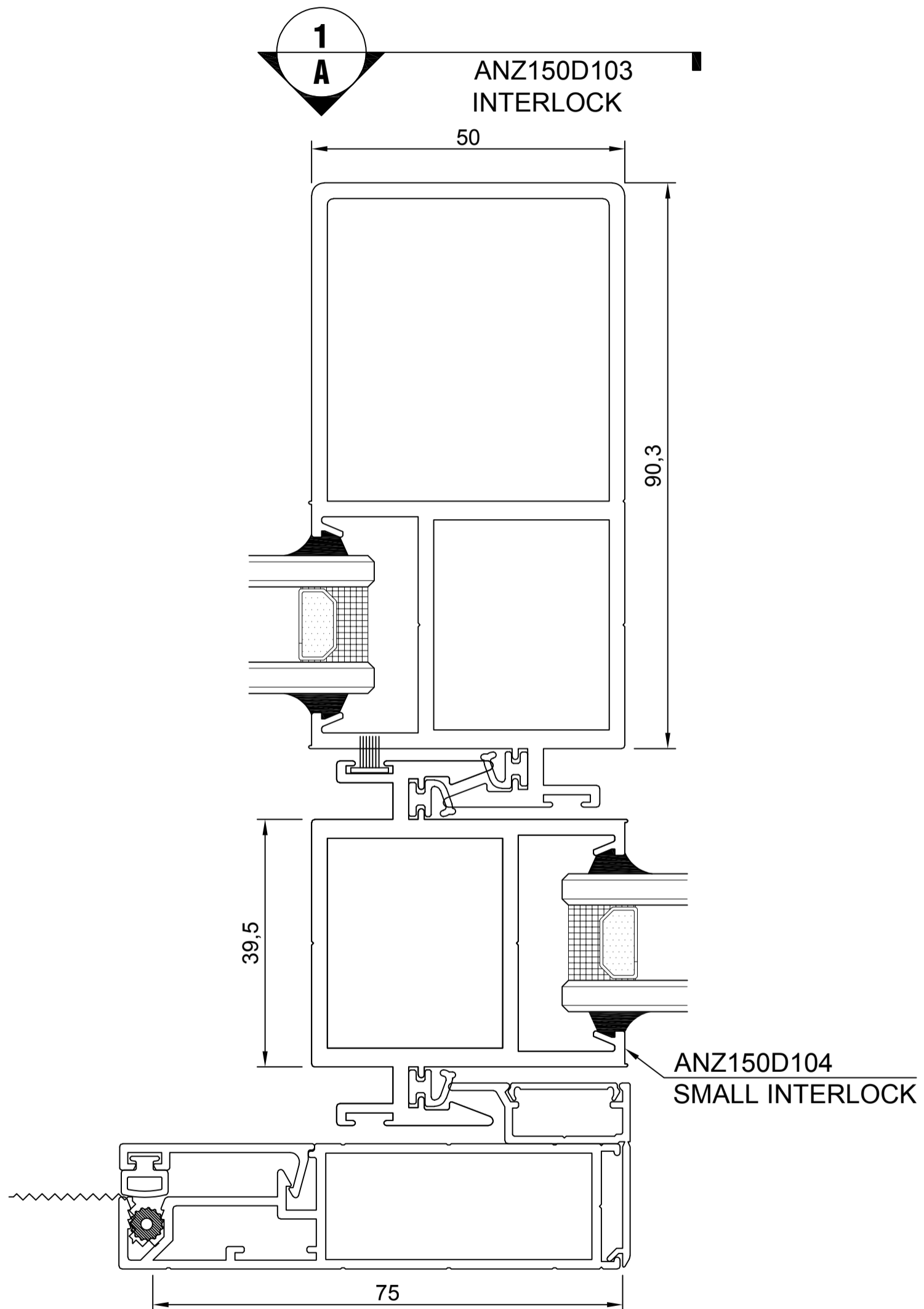
# HDT150 Series Sliding Door

## Product Detail



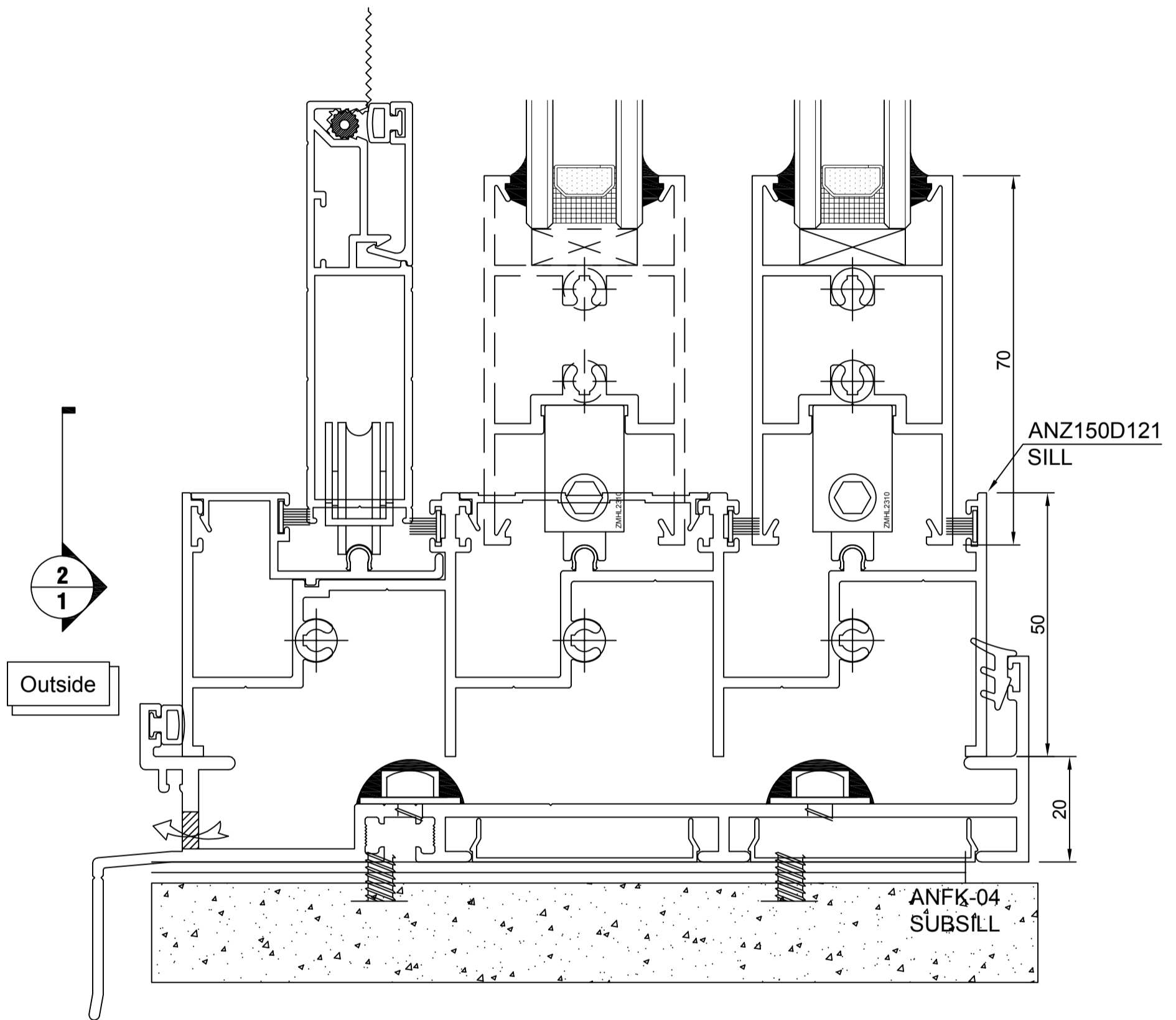
# HDT150 Series Sliding Door

## Product Detail



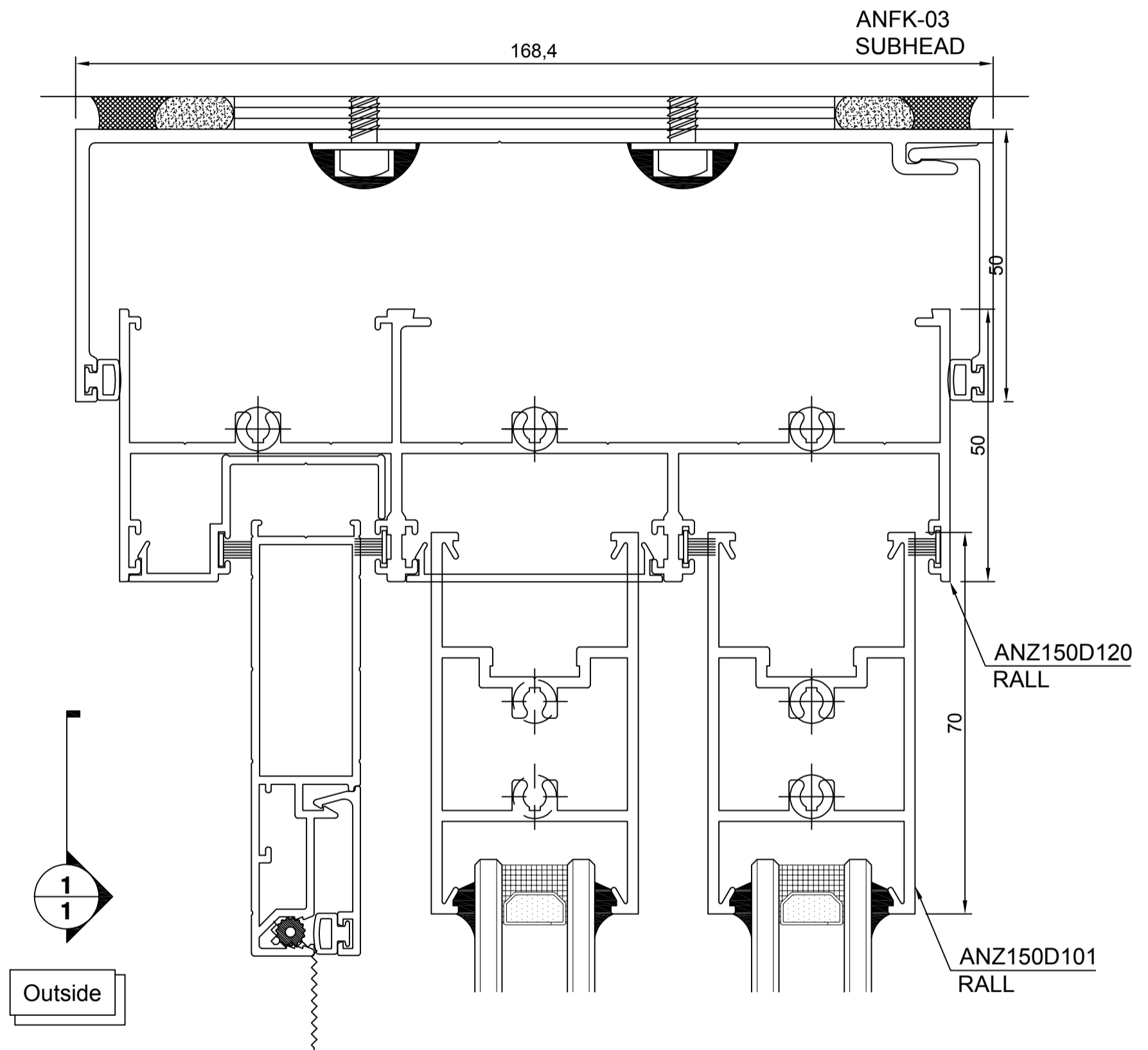
# HDT150 Series Sliding Door

## Product Detail

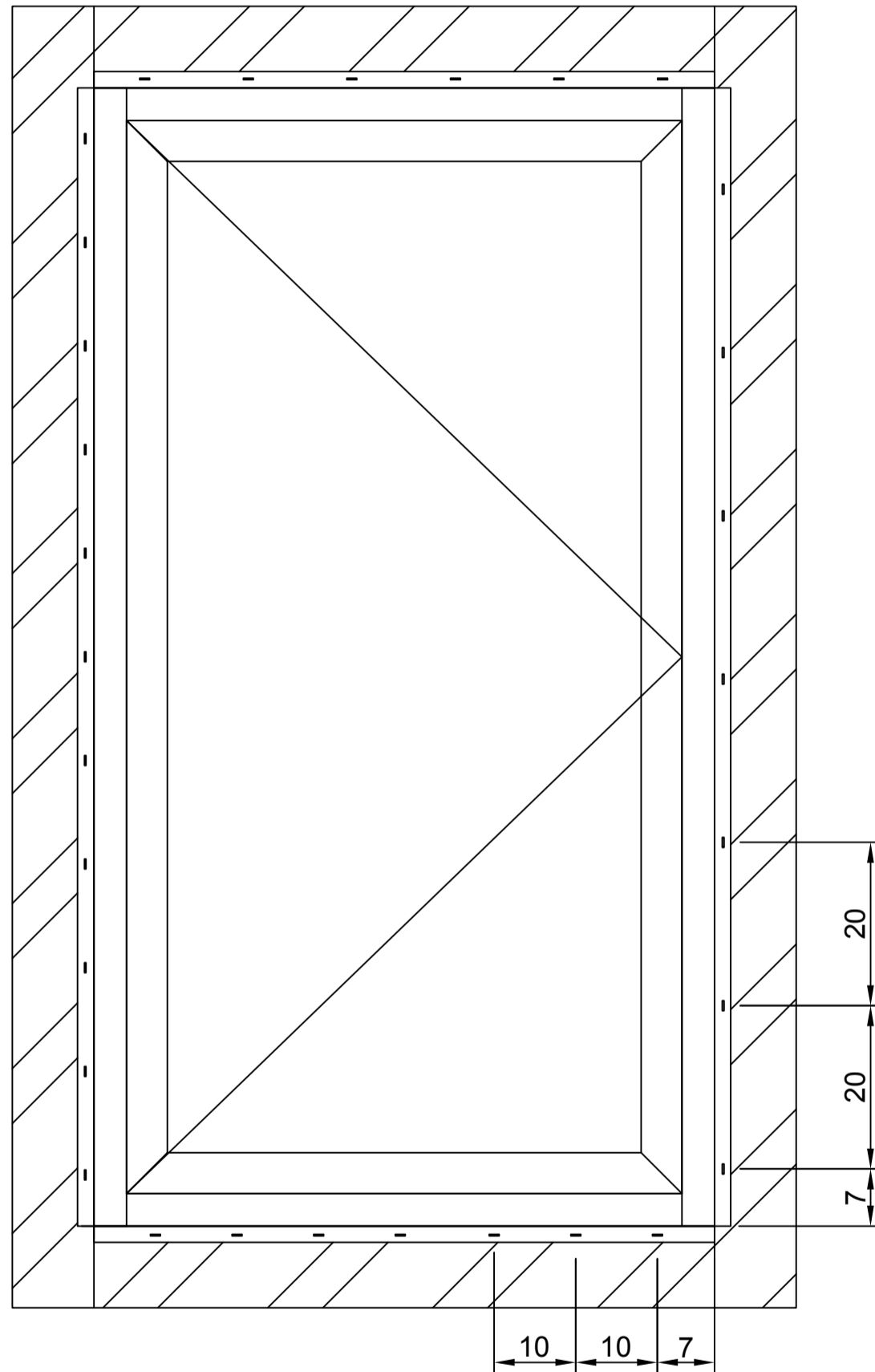


# HDT150 Series Sliding Door

## Product Detail



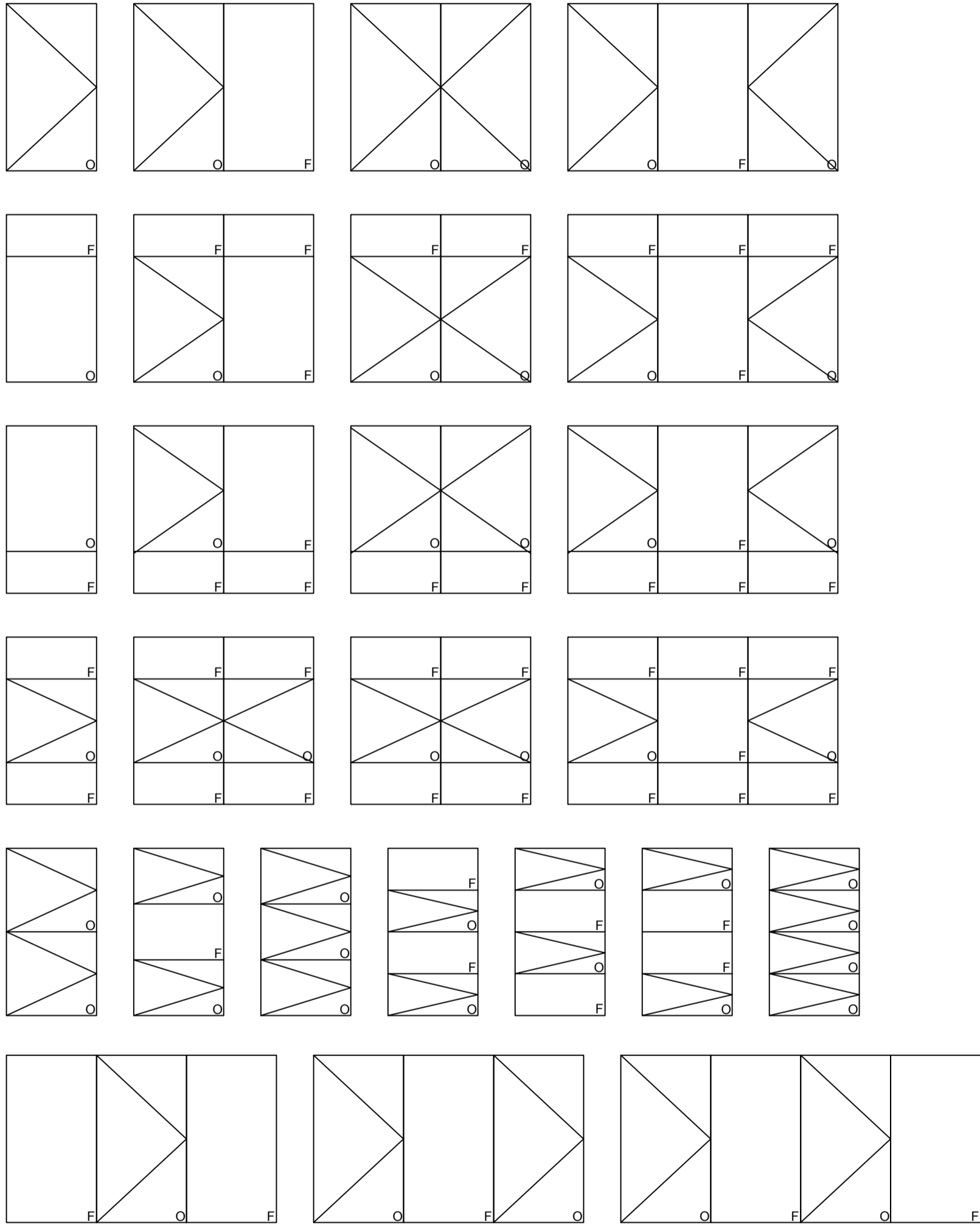
# C50 Series Casement Window(C60 Frame&Chadin winder)





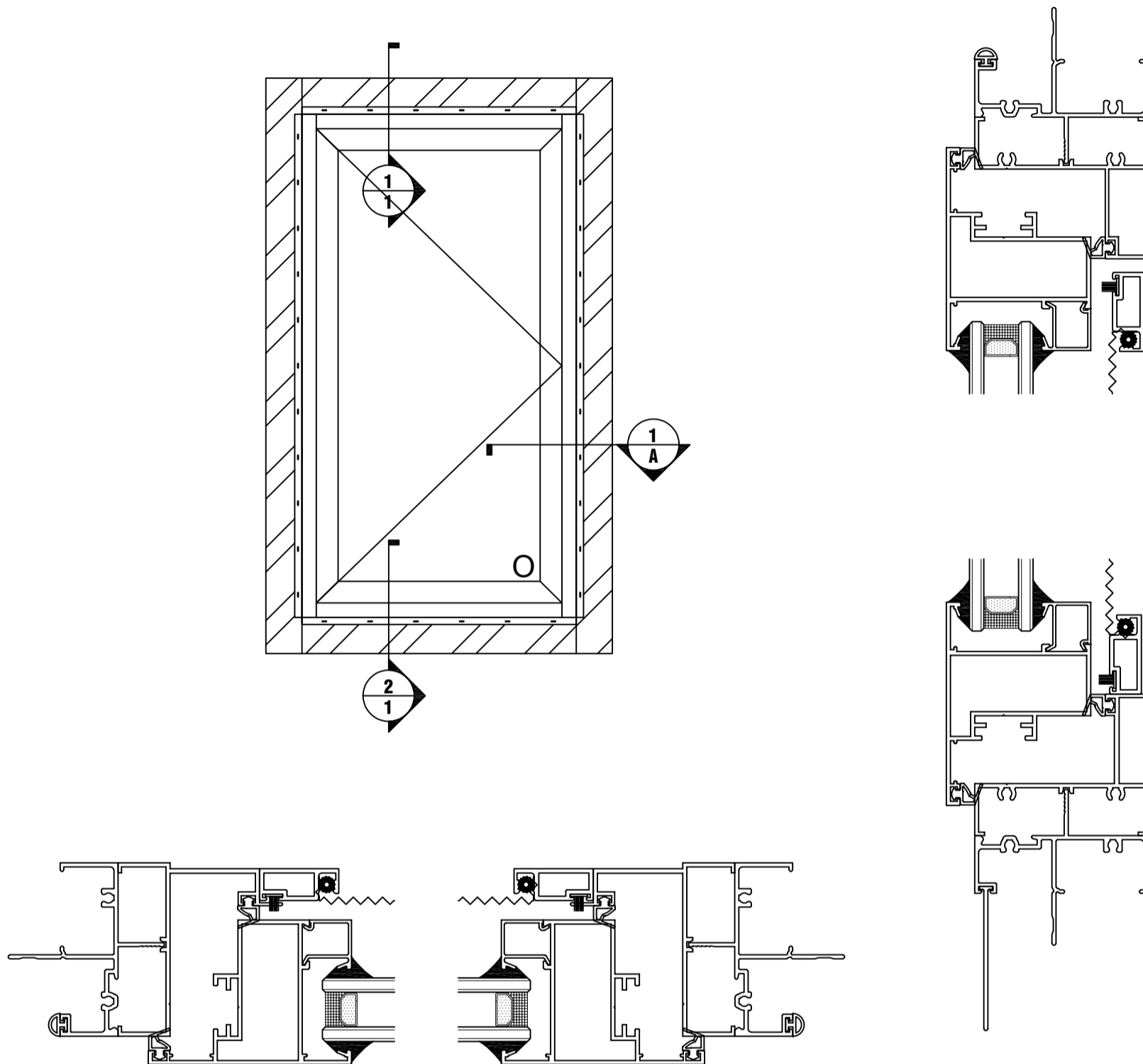
# C50 Series Casement Window(C60 Frame&Chadin winder)

## Product form



# C50 Series Casement Window(C60 Frame&Chadin winder)

## Product Brief Introduction



### COMPATIBLE WITH

- C60 Series Fix Window

### Features & Benefits

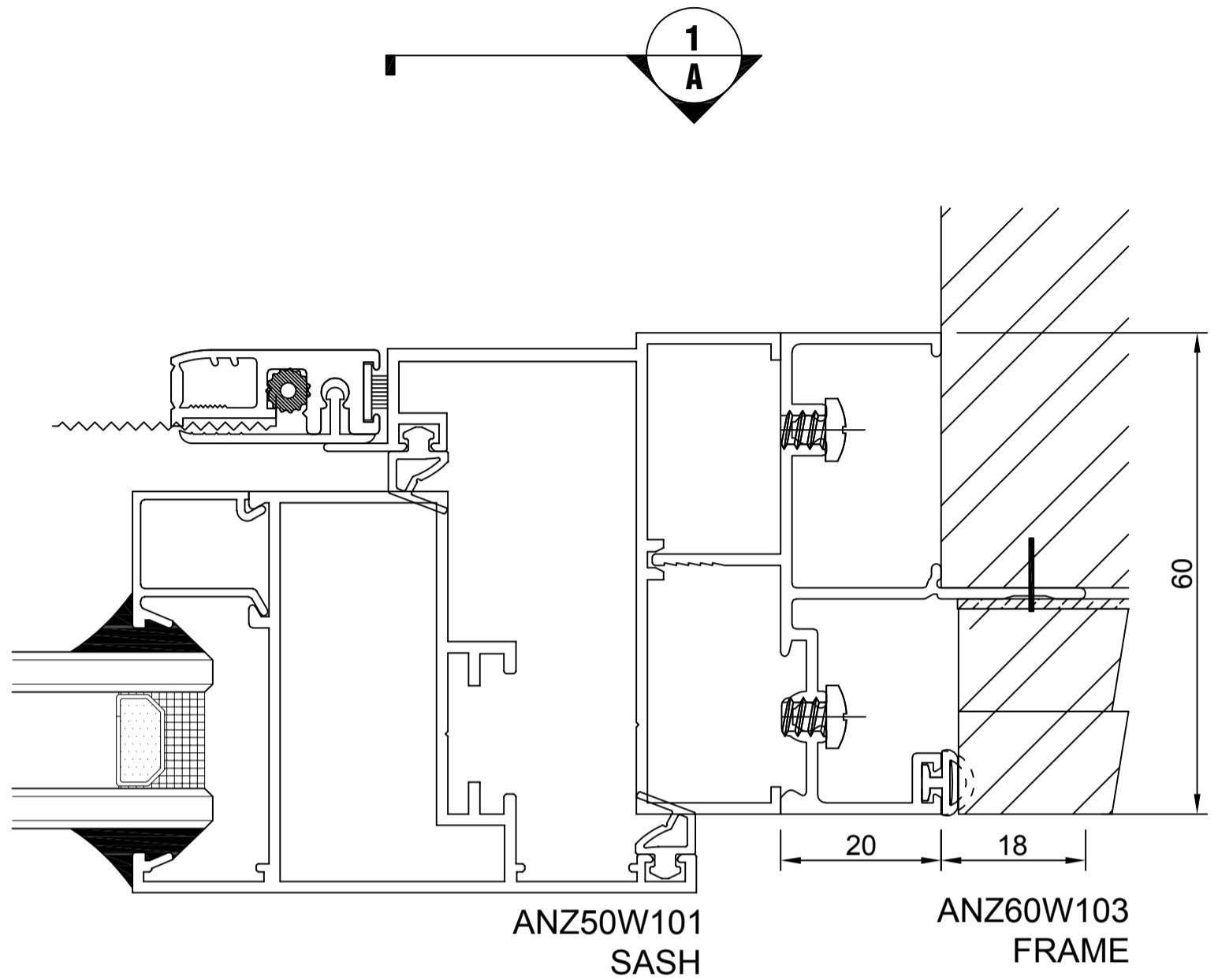
- 60mm X 20mm Frame.
- Architectural Applications.
- Supports Single Glazing.

### GLAZING DETAILS

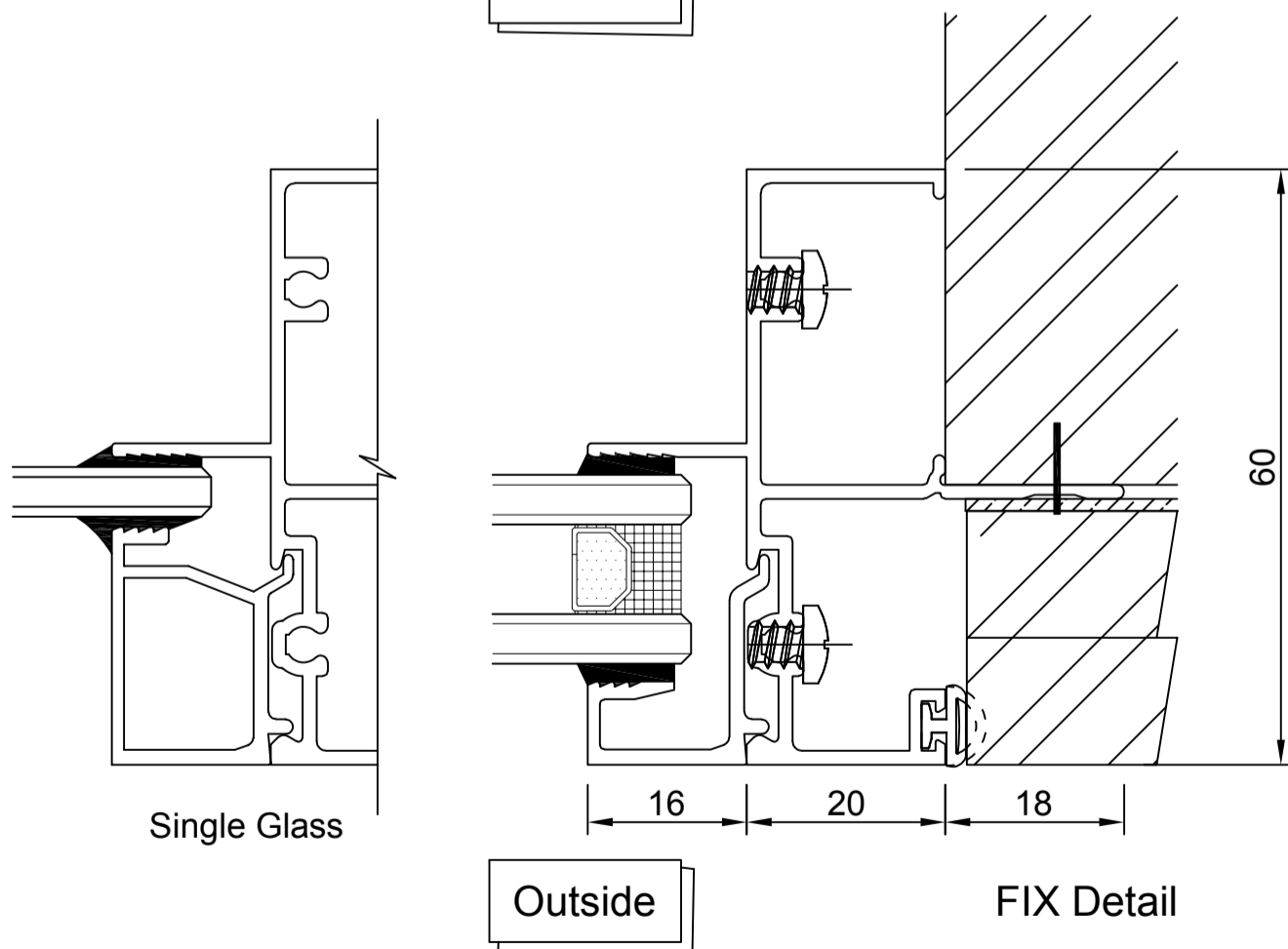
- 10.78Lam
- 5Clr;5Obs
- 6Clr;6Obs
- 5Clr/9Ar/ 5Clr
- 5Obs /9Ar/ 5Clr
- 5Low-E/9Ar/ 5Clr

# C50 Series Casement Window(C60 Frame&Chadin winder)

## Product Detail

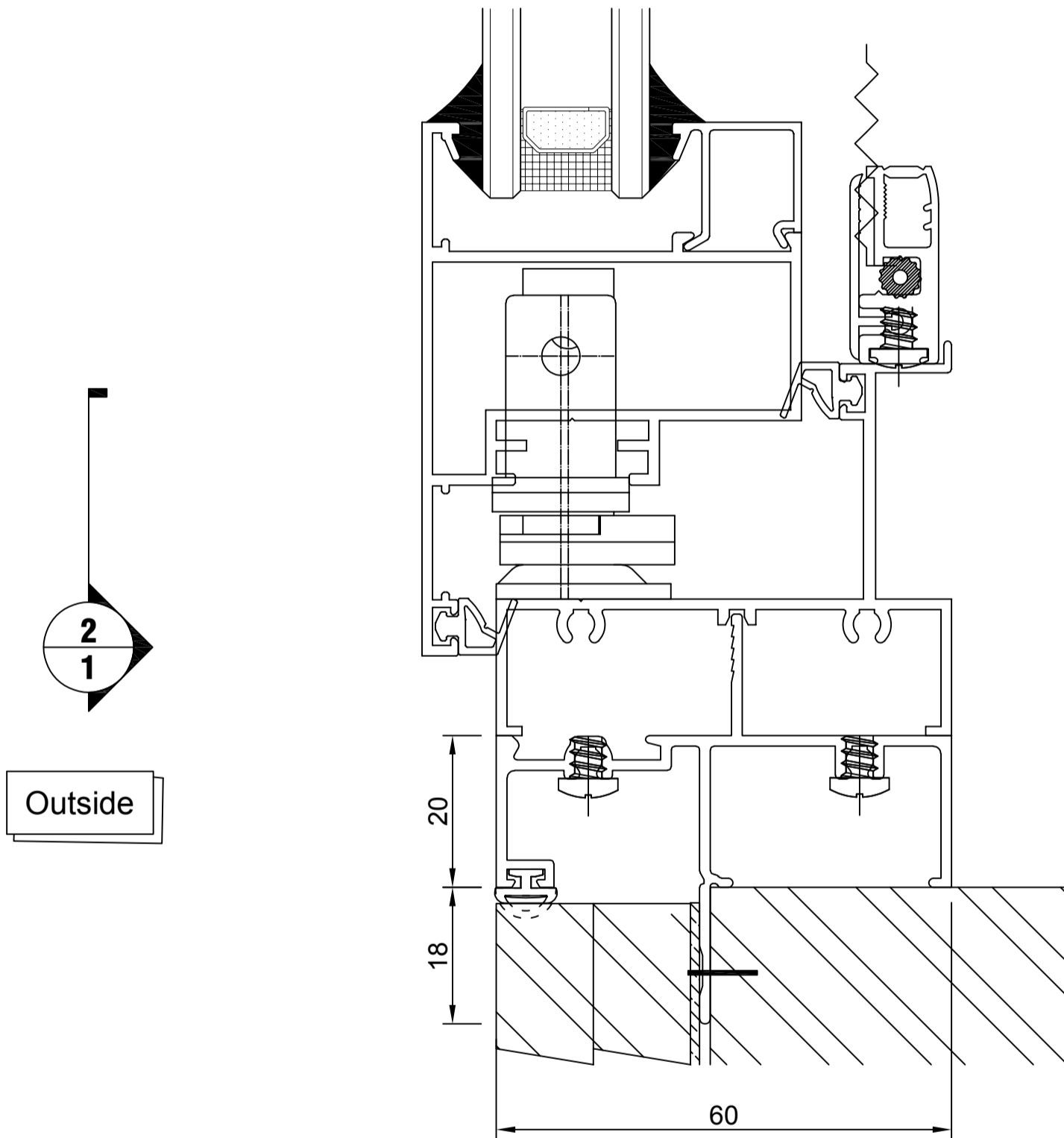


Outside



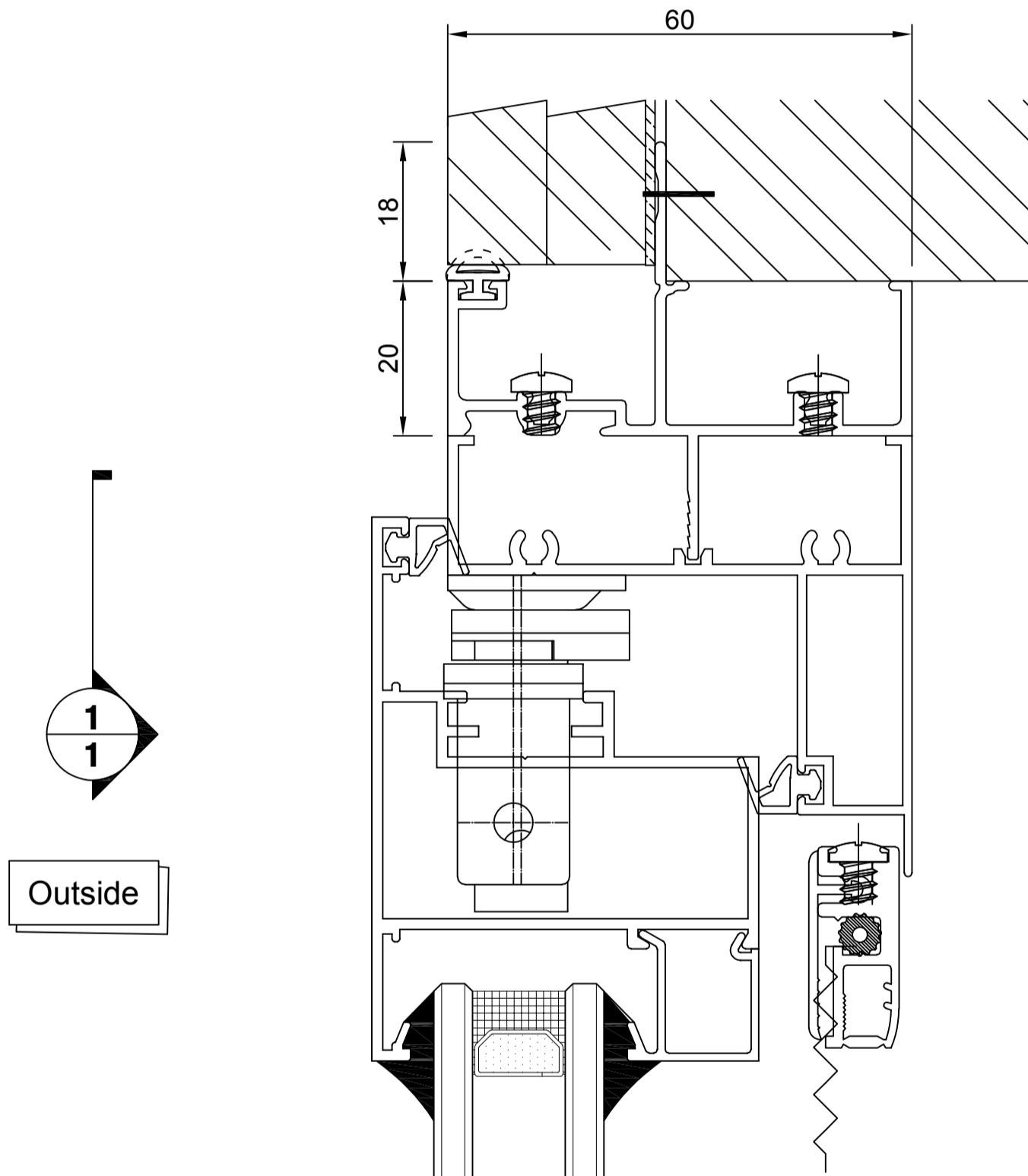
# C50 Series Casement Window(C60 Frame&Chadin winder)

## Product Detail



# C50 Series Casement Window(C60 Frame&Chadin winder)

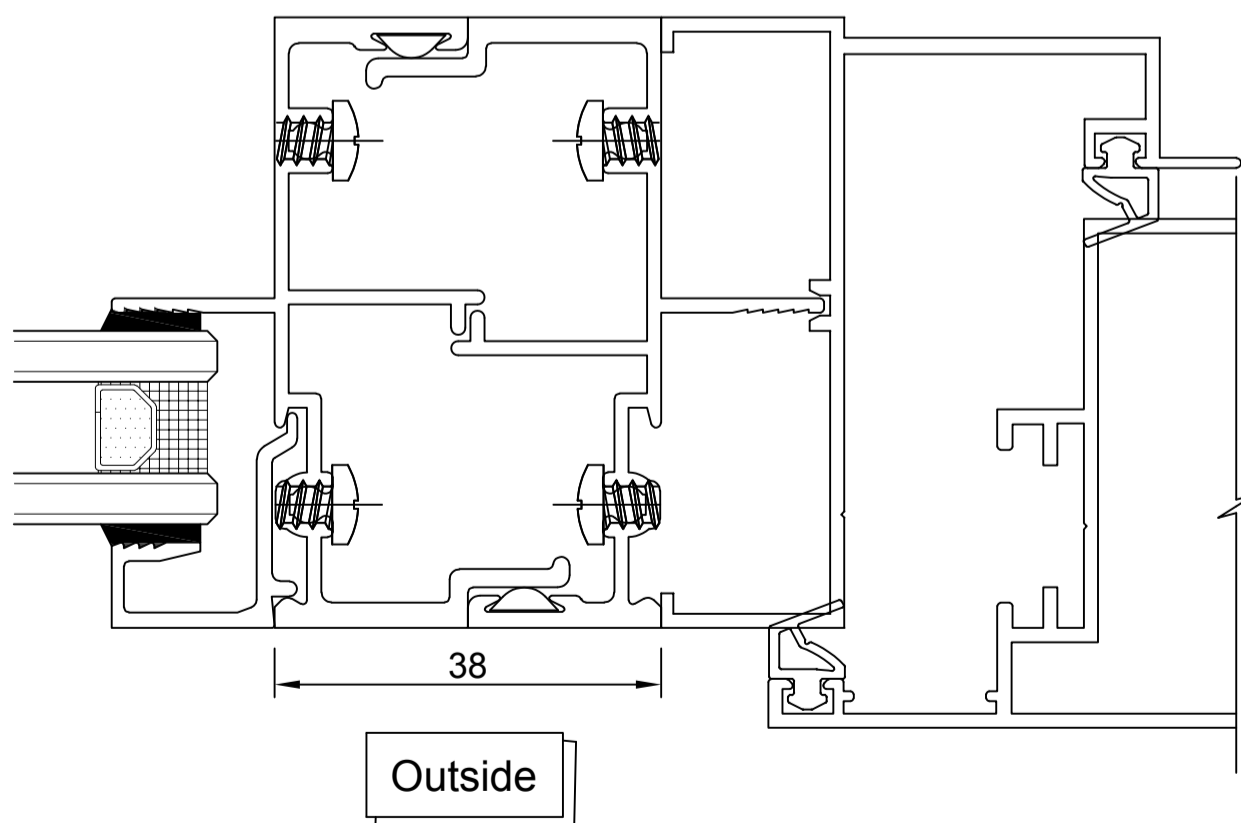
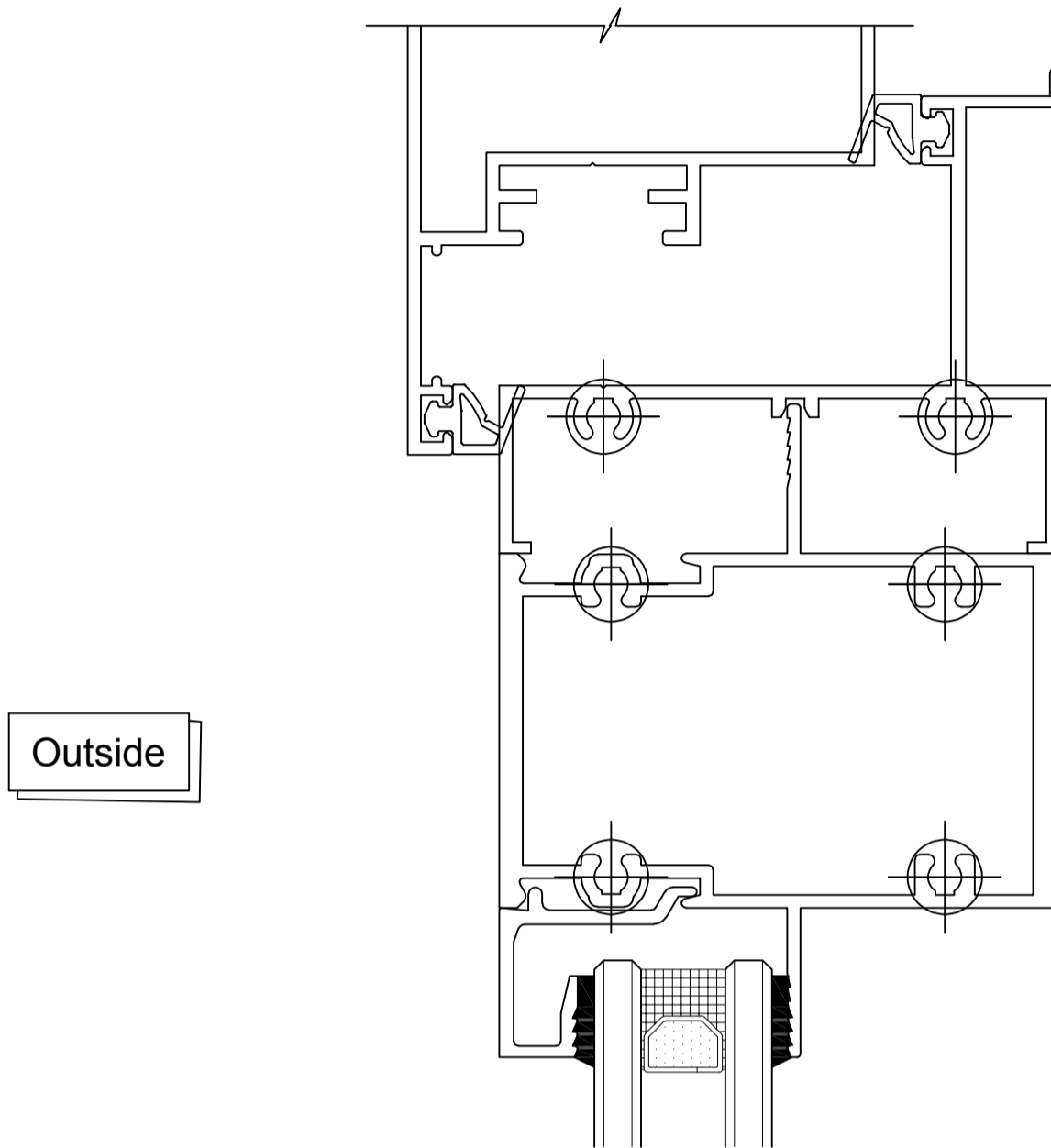
## Product Detail



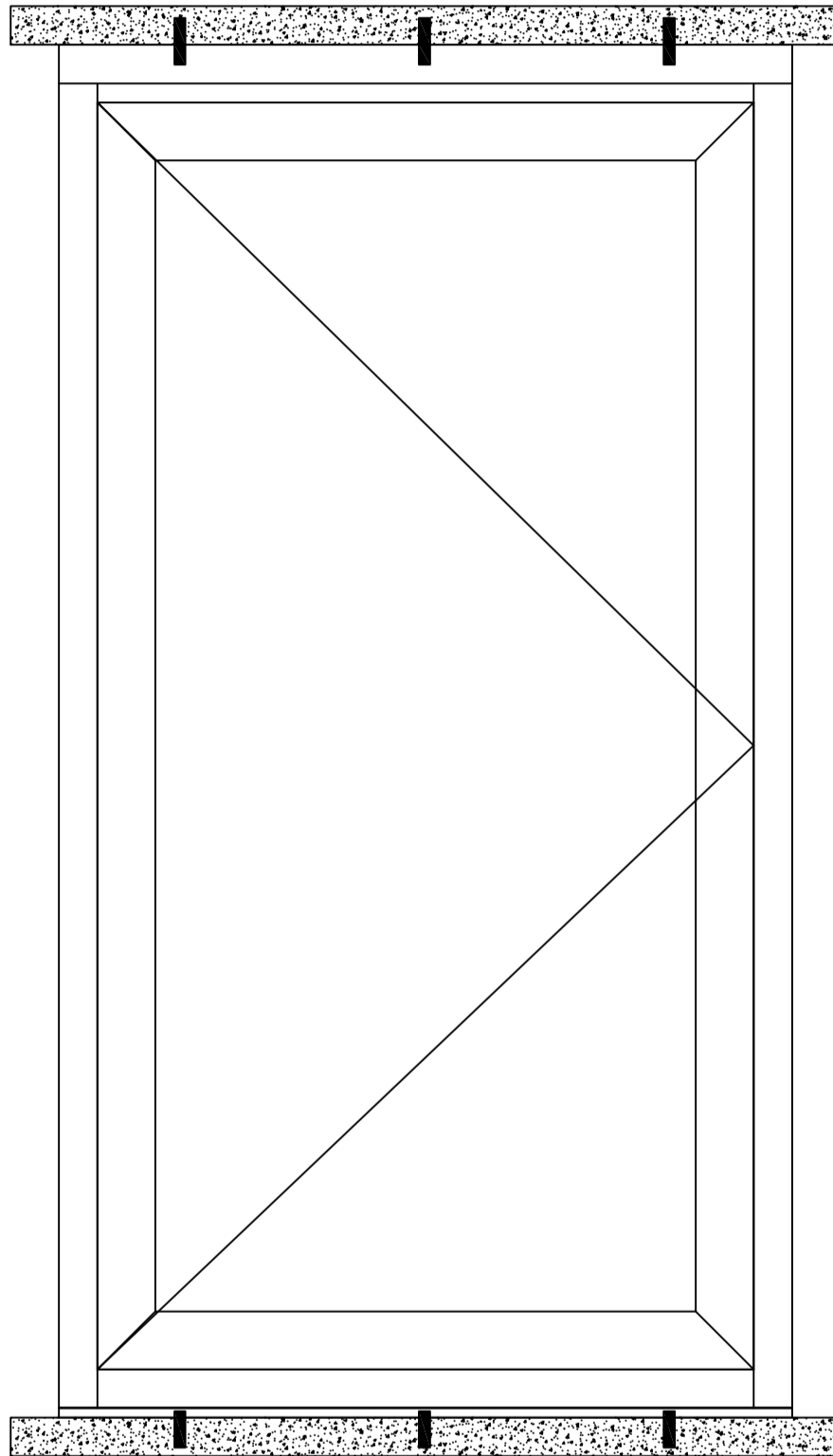
# C50 Series Casement Window(C60 Frame&Chadin winder)

## Product Detail

### Sash and fixed connection

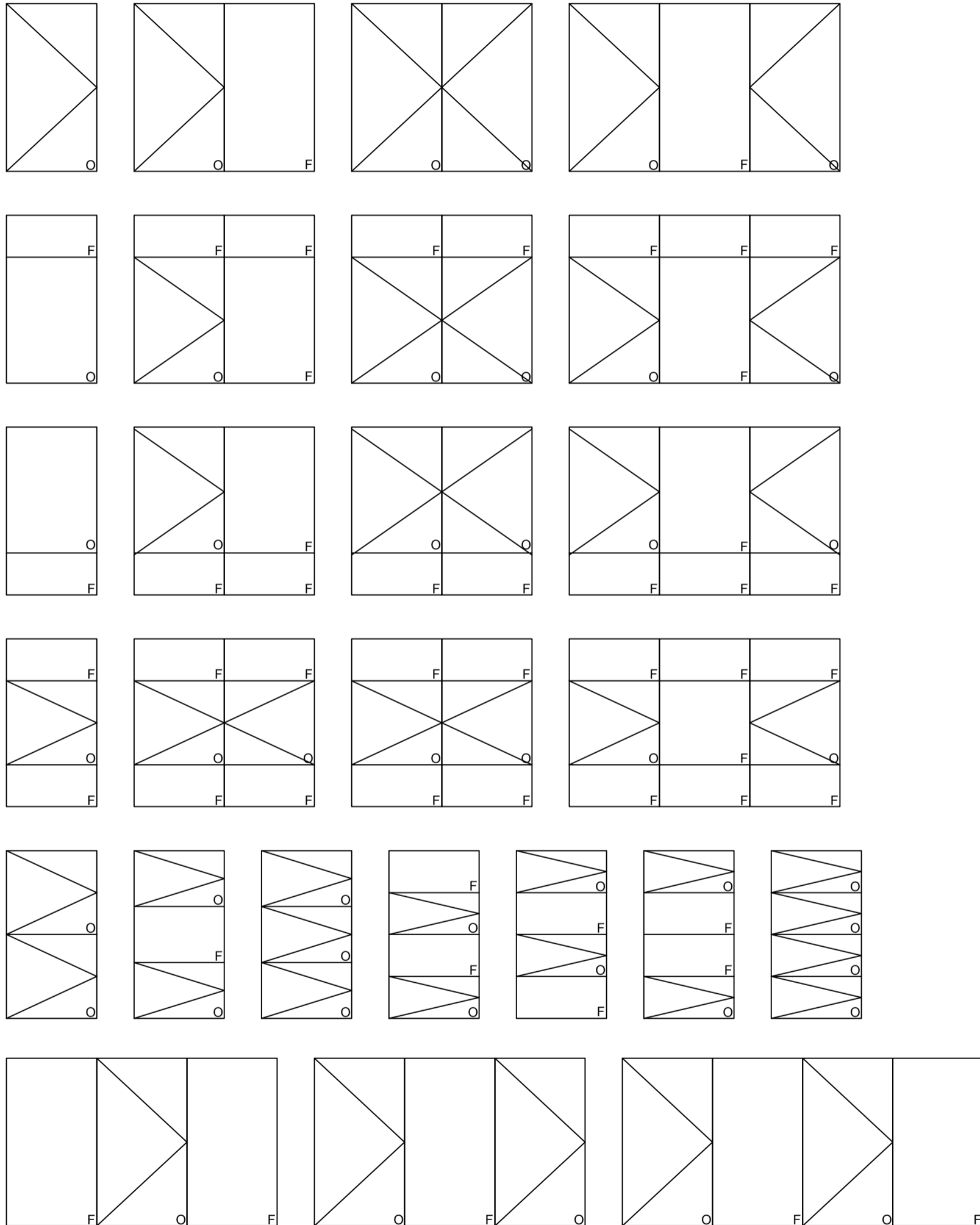


# C50 Series Casement Window(C101 Frame&Chain winder)



# C50 Series Casement Window(C101 Frame&Chain winder)

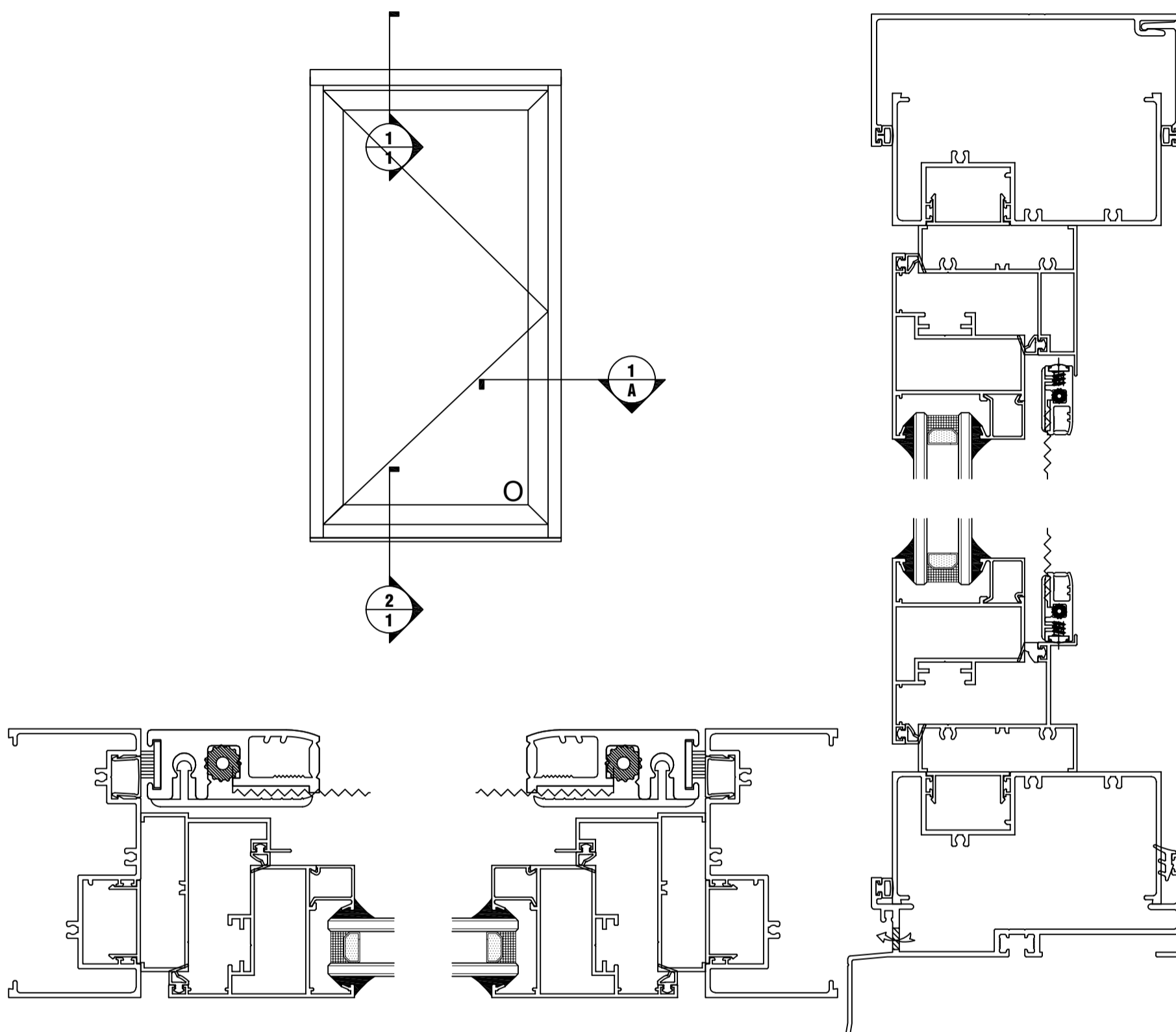
## Product form





# C50 Series Casement Window(C101 Frame&Chain winder)

## Product Brief Introduction



### COMPATIBLE WITH

- C101 Series Fix Window.
- T101 Series Sliding Door.
- H35 Series Hinged Door.
- H45 Series Hinged Door.

### Features & Benefits

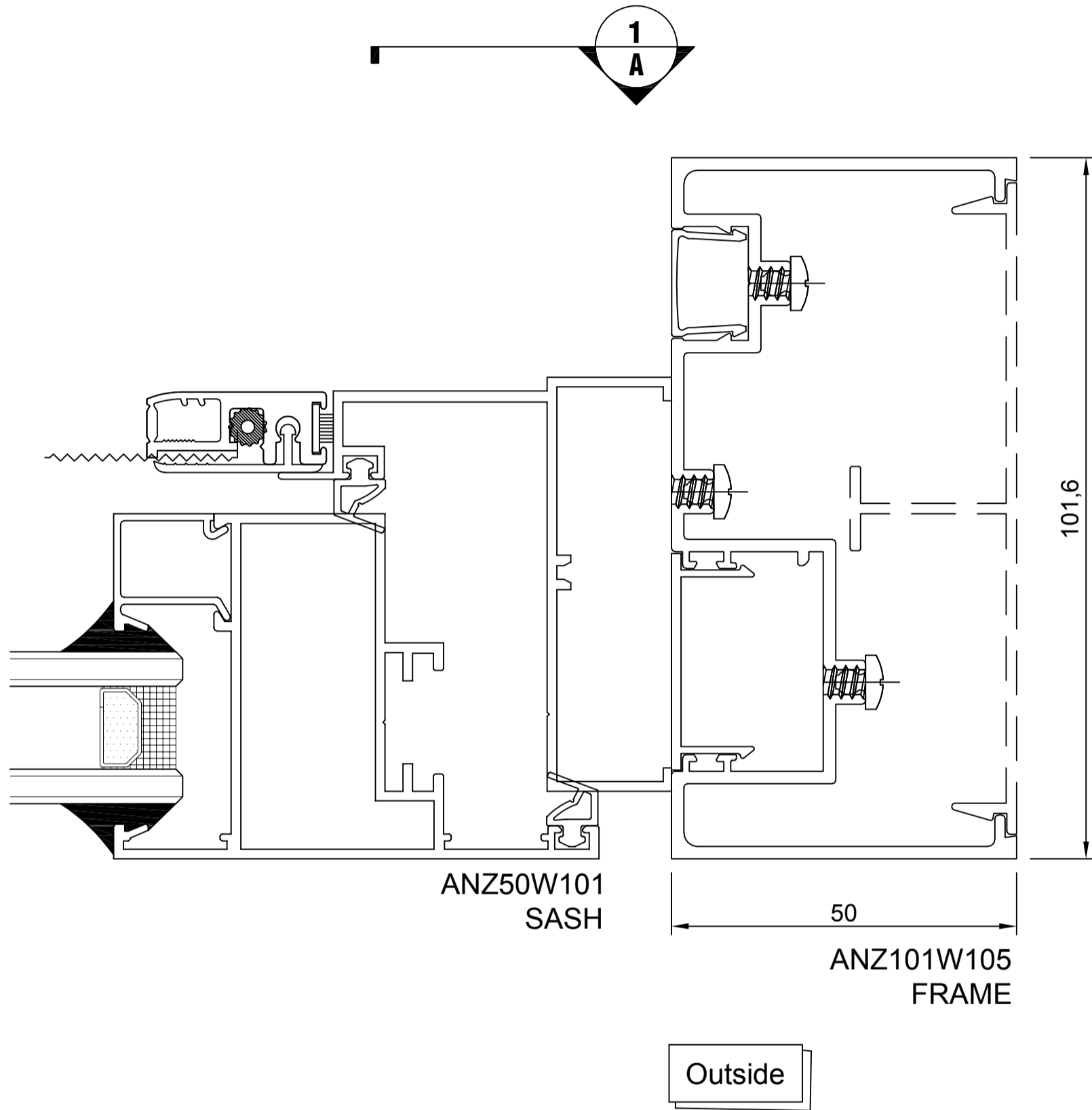
- 101.6mm X 50mm Frame.
- Architectural Applications.
- Supports Single Glazing.
- Compatible Door And Window.

### GLAZING DETAILS

- 10.78Lam
- 5Clr;5Obs
- 6Clr;6Obs
- 5Clr/12Ar/ 5Clr
- 5Obs /12Ar/ 5Clr
- 5Low-E/12Ar/ 5Clr
- 6Clr/12Ar/ 6Clr
- 6Obs /12Ar/ 6Clr
- 6Low-E/12Ar/ 6Clr

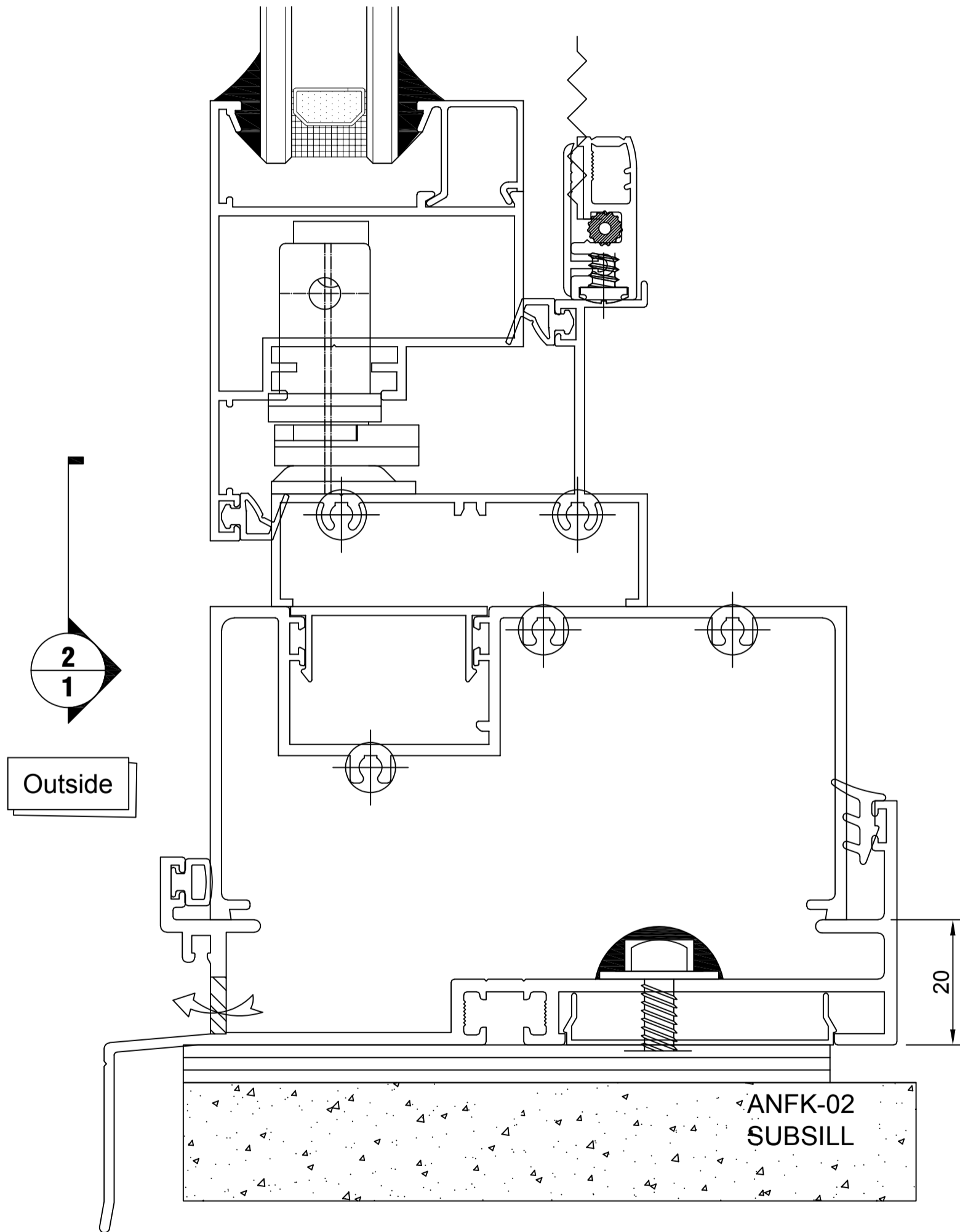
# C50 Series Casement Window(C101 Frame&Chain winder)

## Product Detail



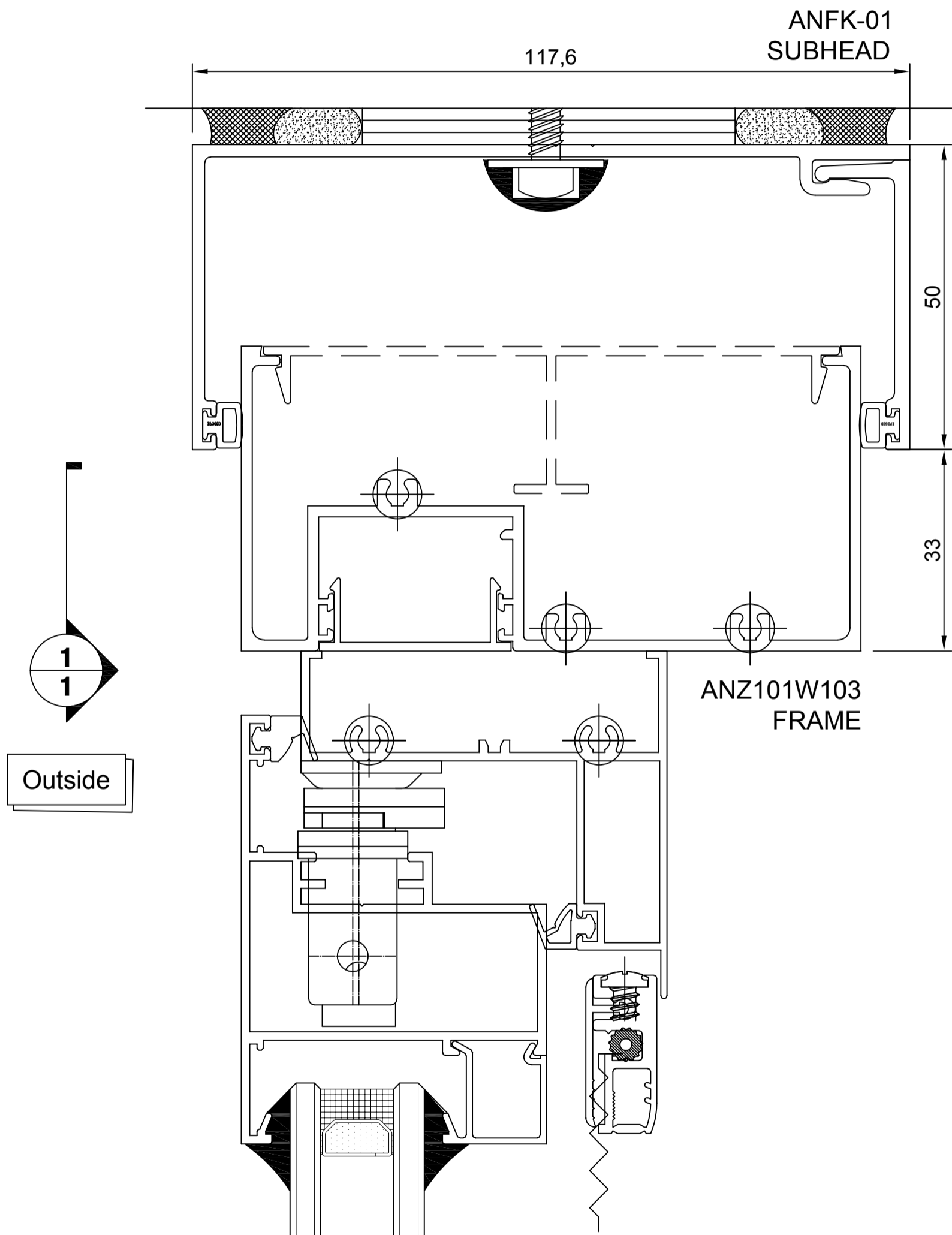
# C50 Series Casement Window(C101 Frame&Chain winder)

## Product Detail



# C50 Series Casement Window(C101 Frame&Chain winder)

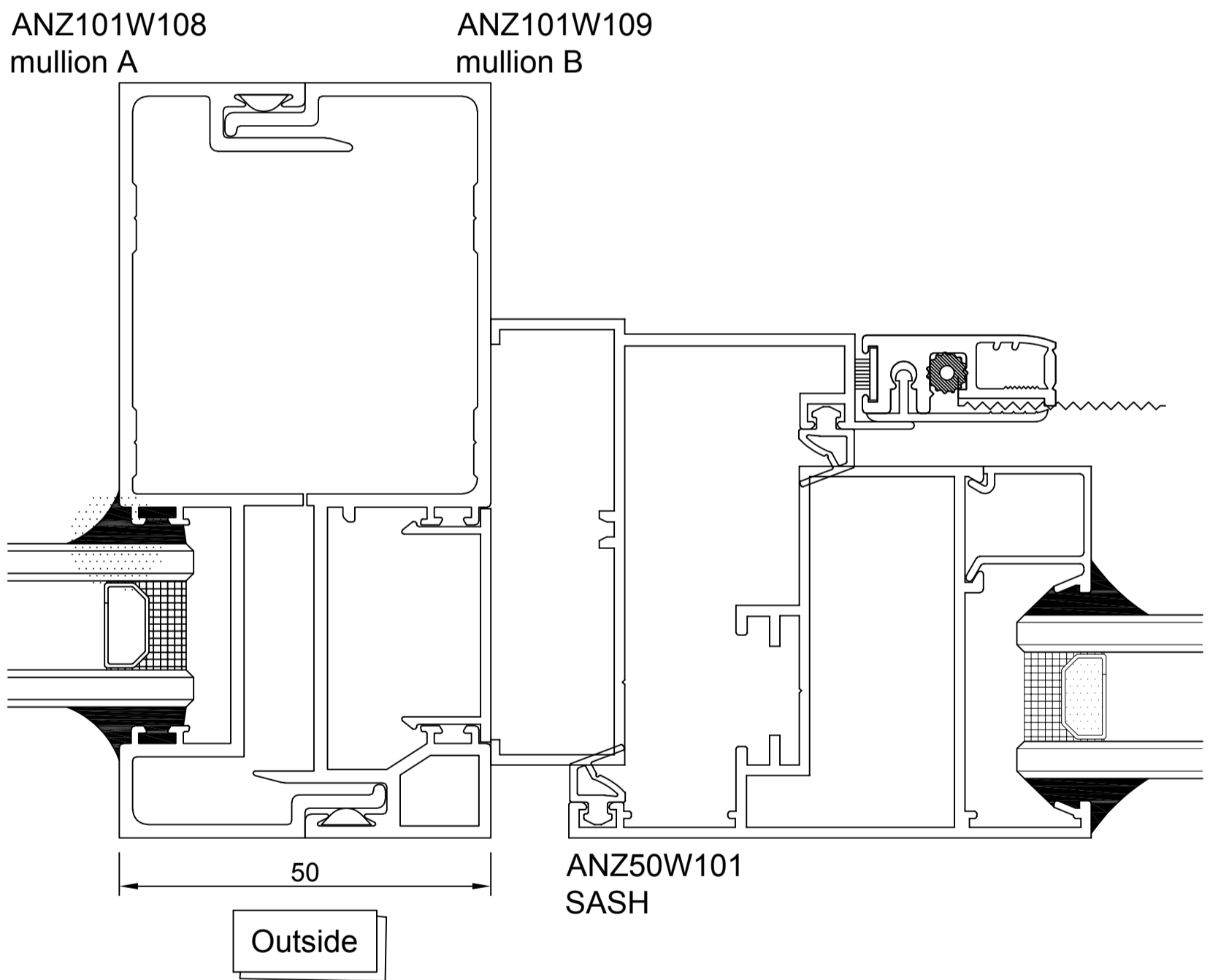
## Product Detail



# C50 Series Casement Window(C101 Frame&Chain winder)

## Product Detail

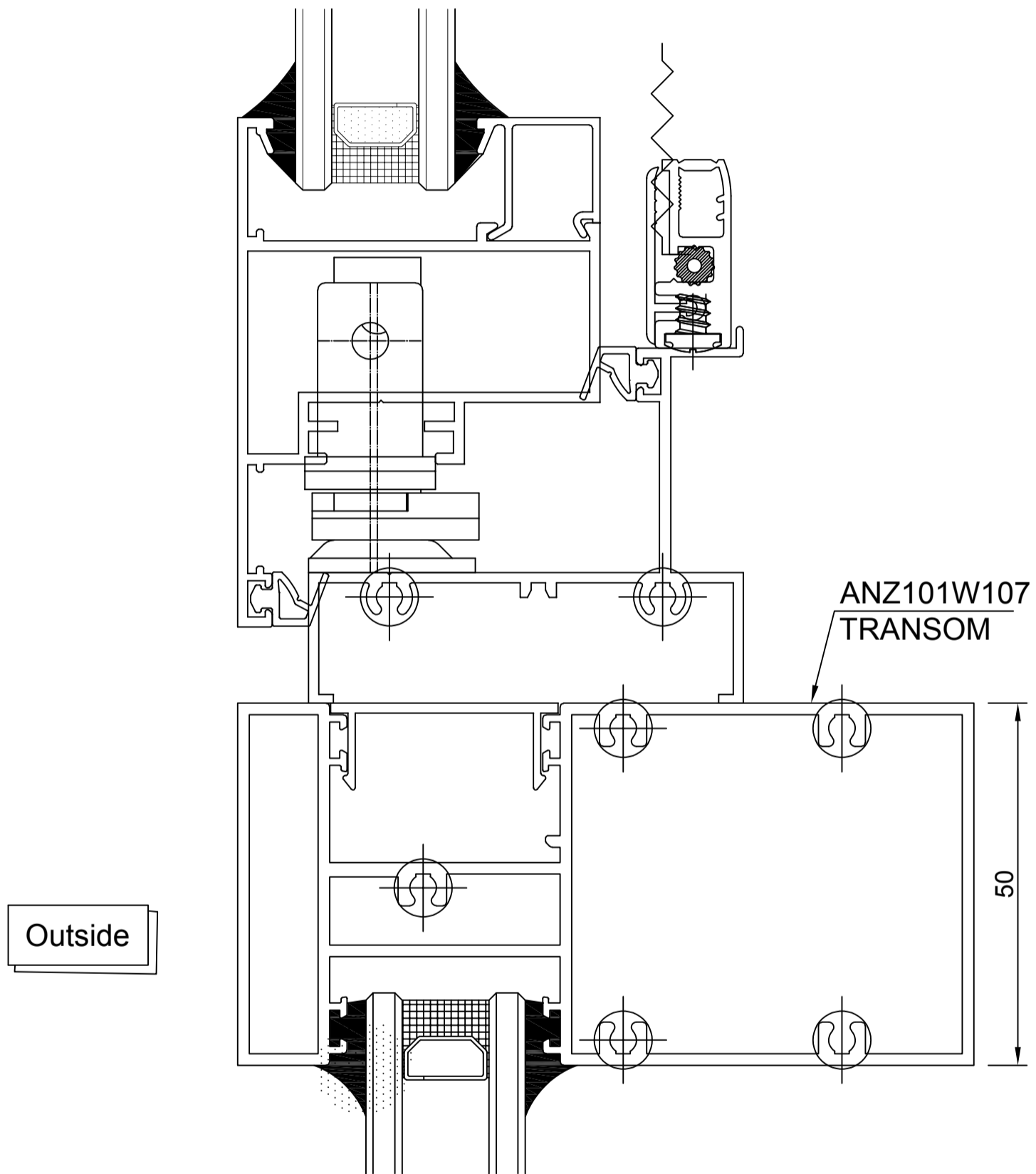
### Sash and fixed connection



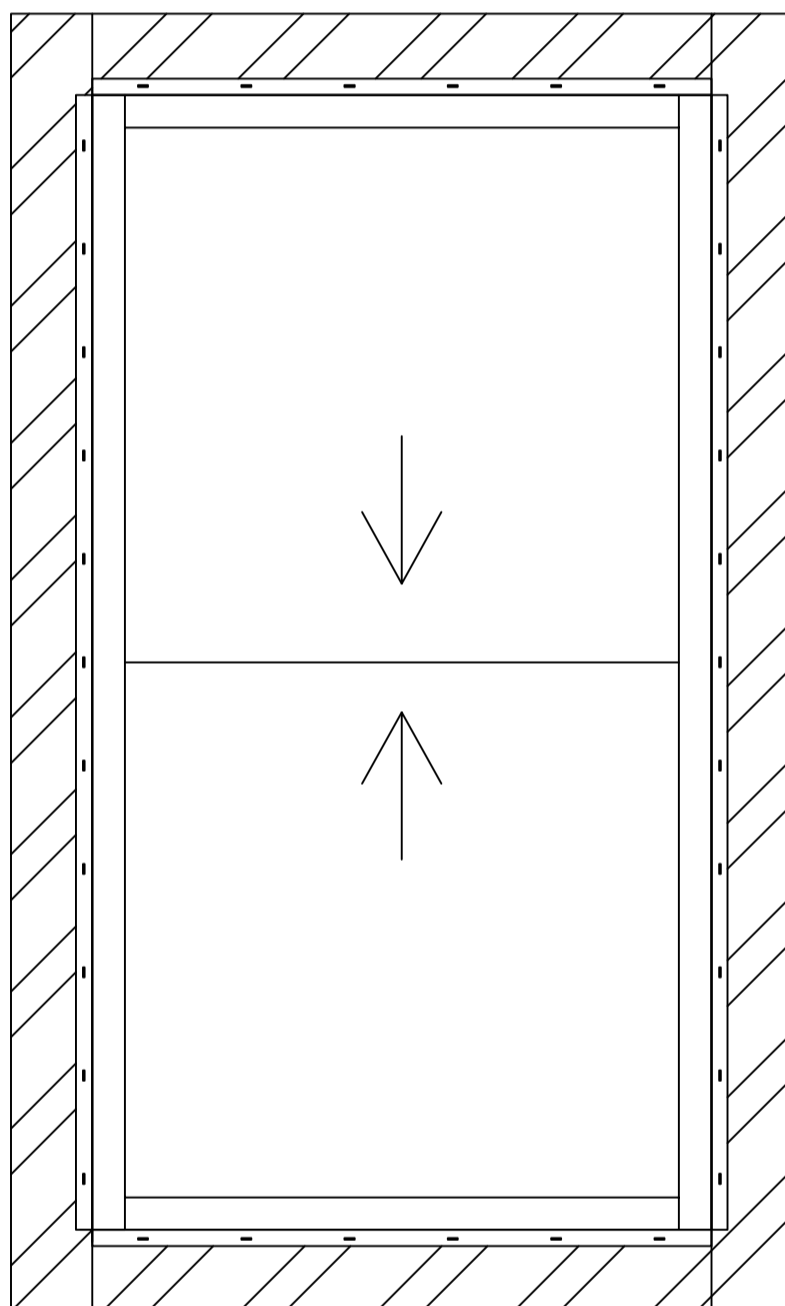
# C50 Series Casement Window(C101 Frame&Chain winder)

## Product Detail

### Sash and fixed connection

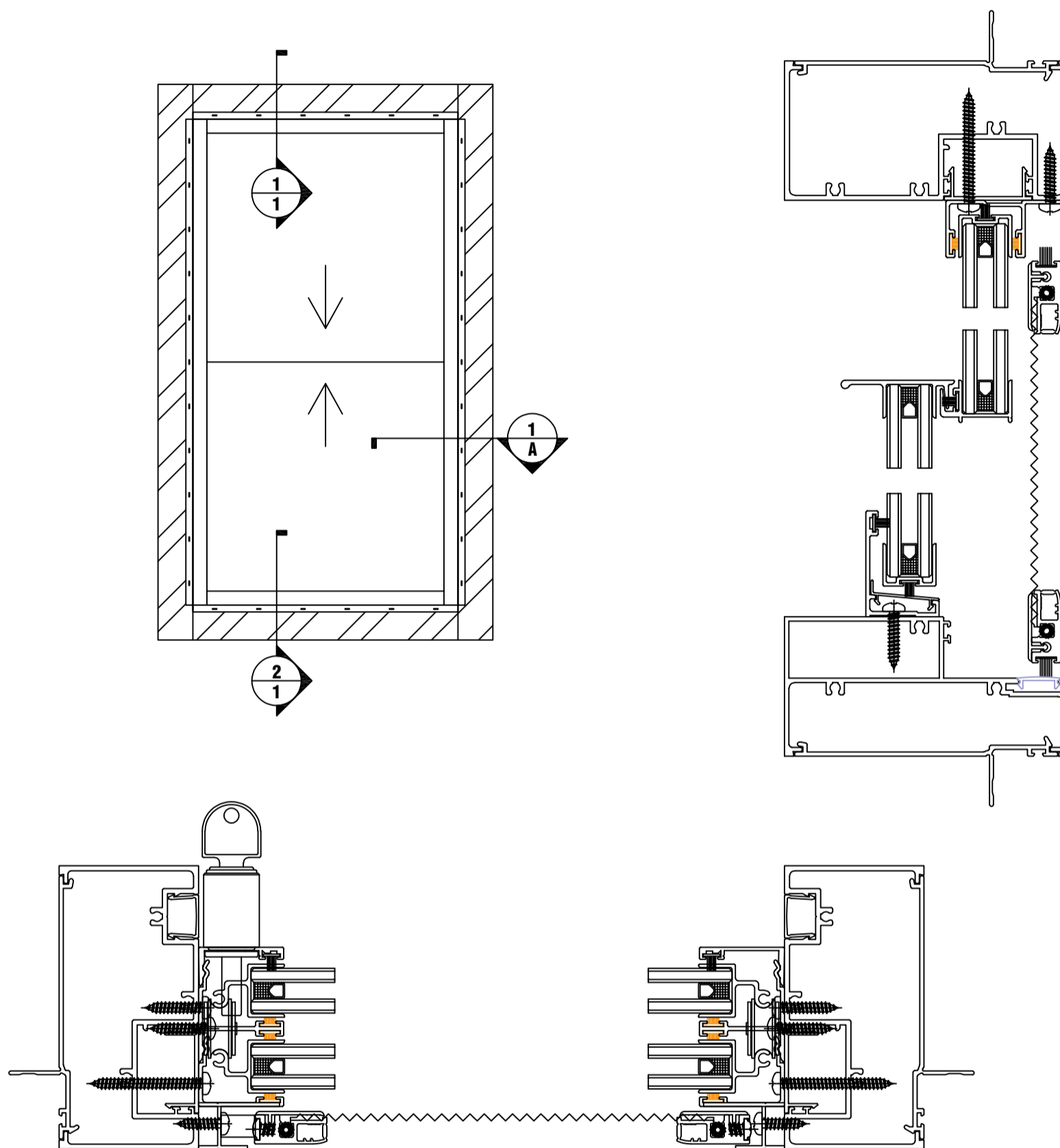


# Sashless Window(C101 Frame)



# Sashless Window(C101 Frame)

## Product Brief Introduction



### COMPATIBLE WITH

- C101 Series Fix Window.
- T101 Series Sliding Door.
- H35 Series Hinged Door.
- H45 Series Hinged Door.

### Features & Benefits

- 101.6mm X 50mm Frame.
- Architectural Applications.
- Supports Single Glazing.
- Compatible Door And Window.

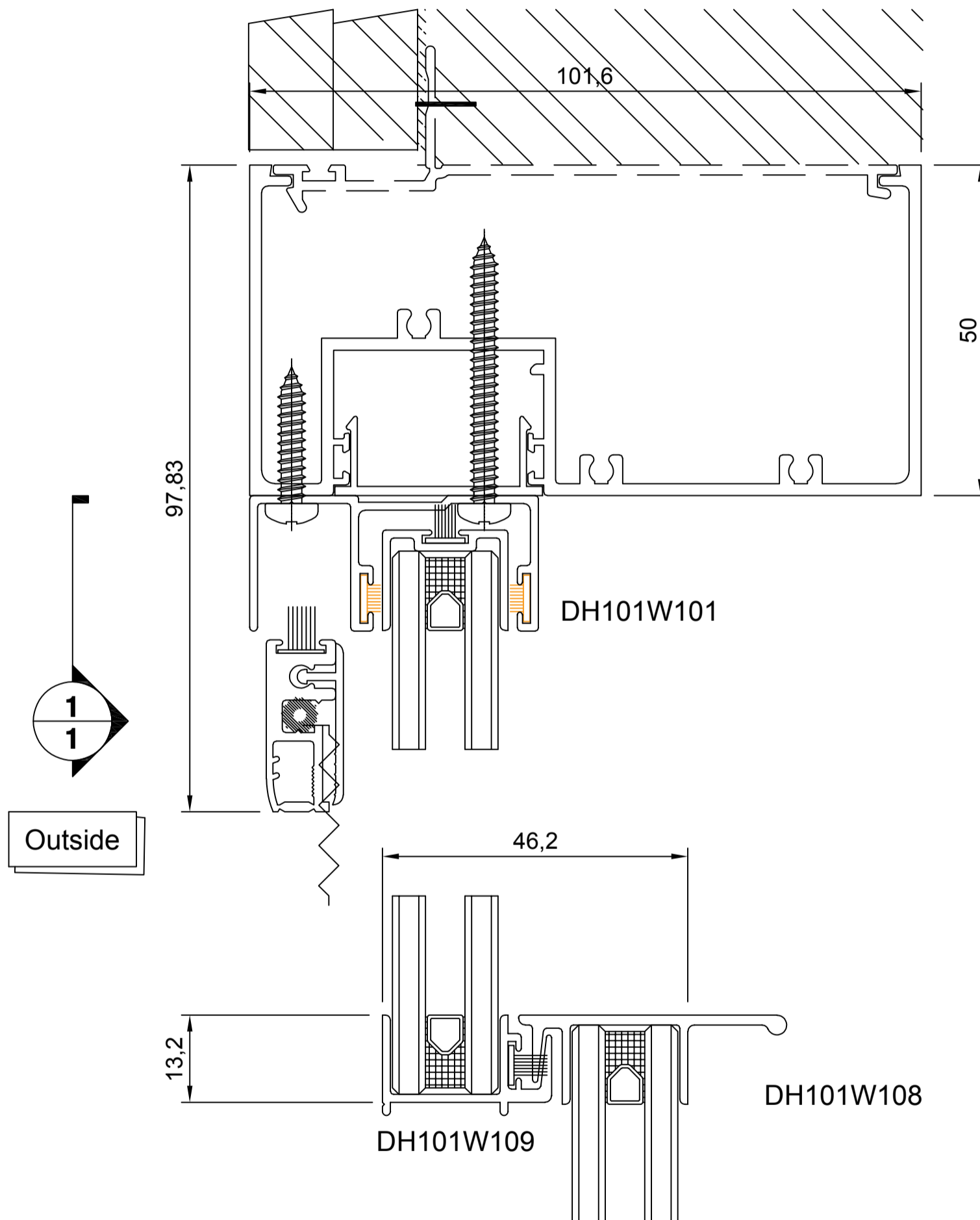
### GLAZING DETAILS

- 5Clr/6Ar/5Clr
- 5Obs/6Ar/5Clr



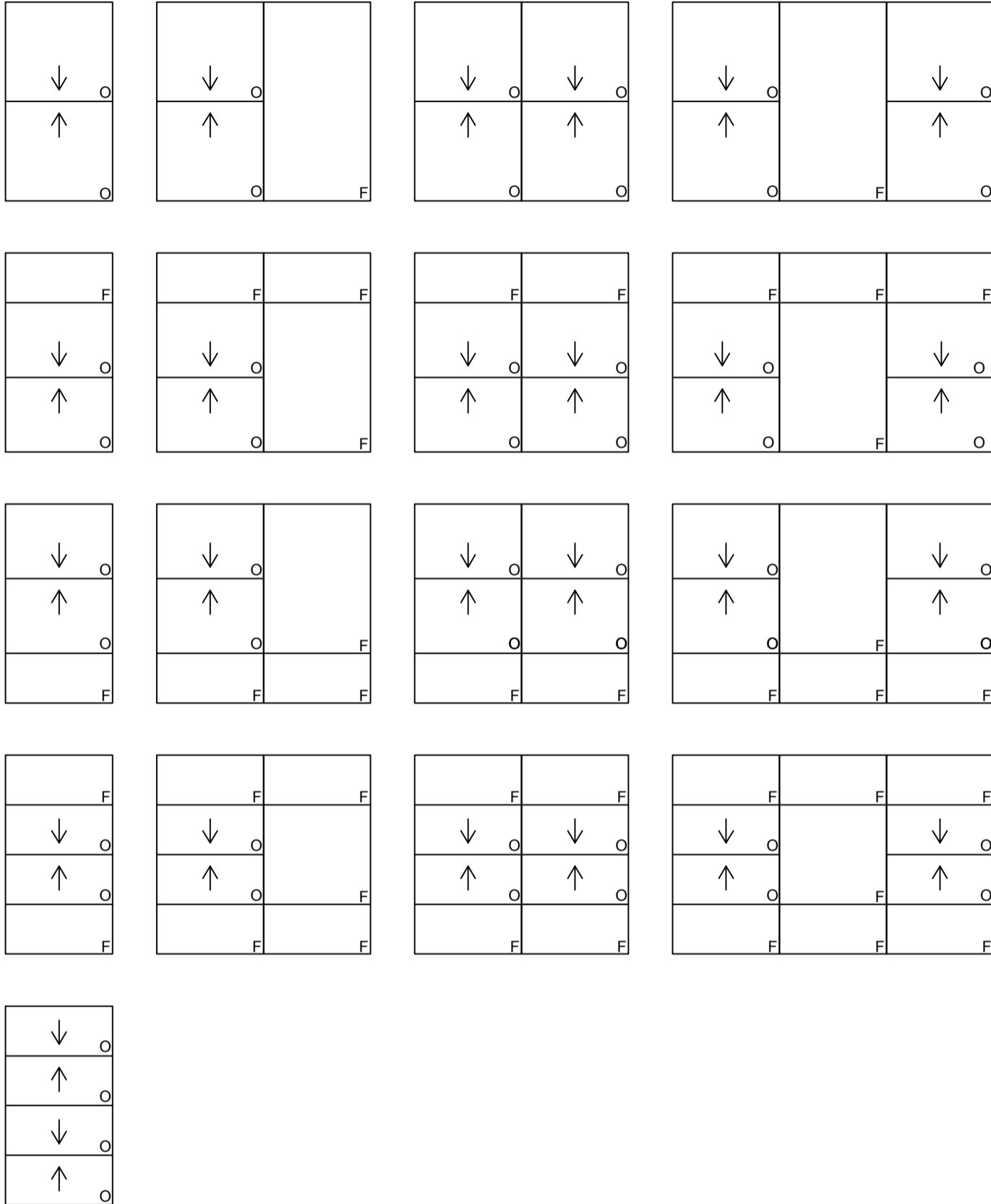
# Sashless Window(C101 Frame)

## Product Detail



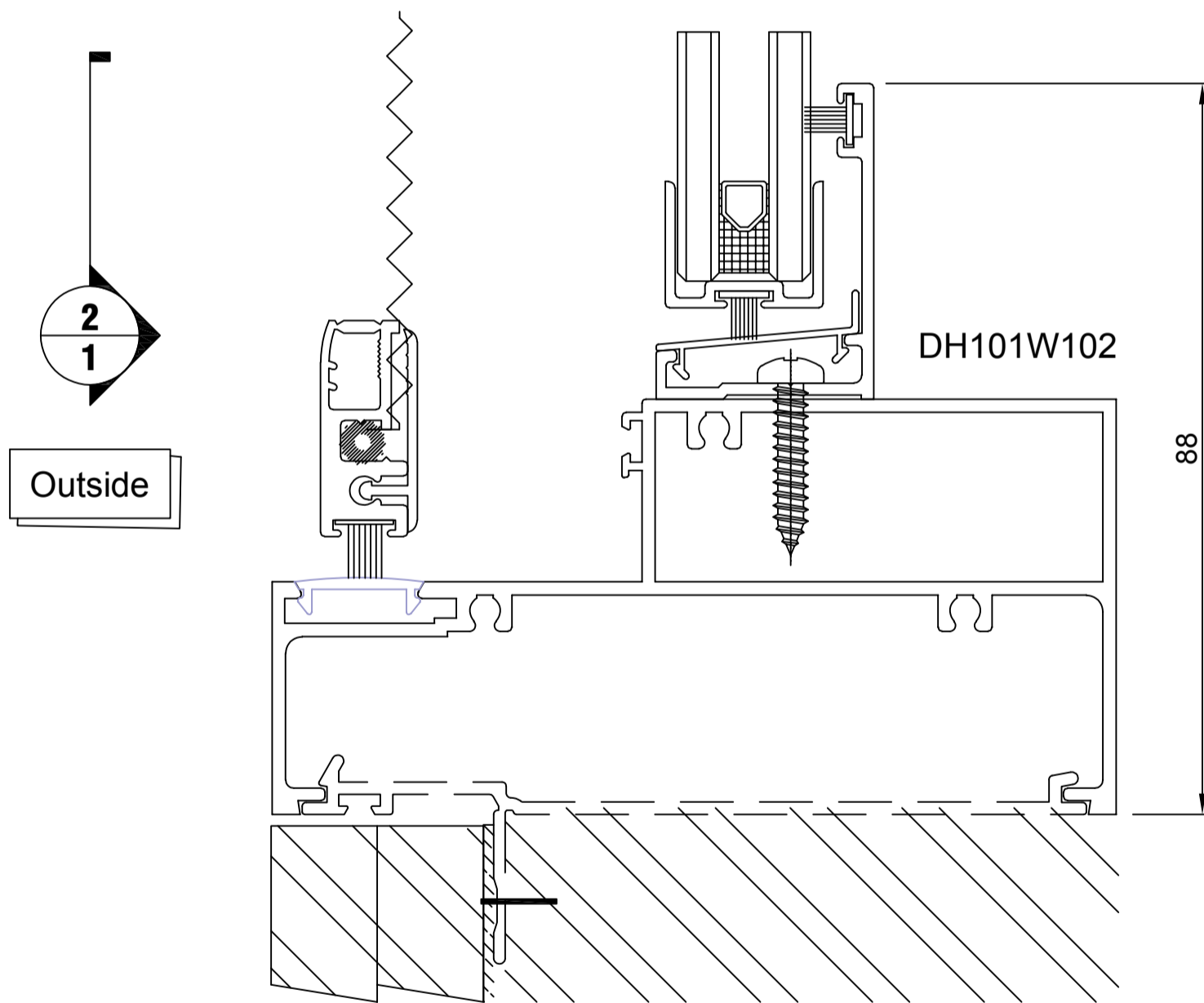
# Sashless Window(C101 Frame)

## Product form



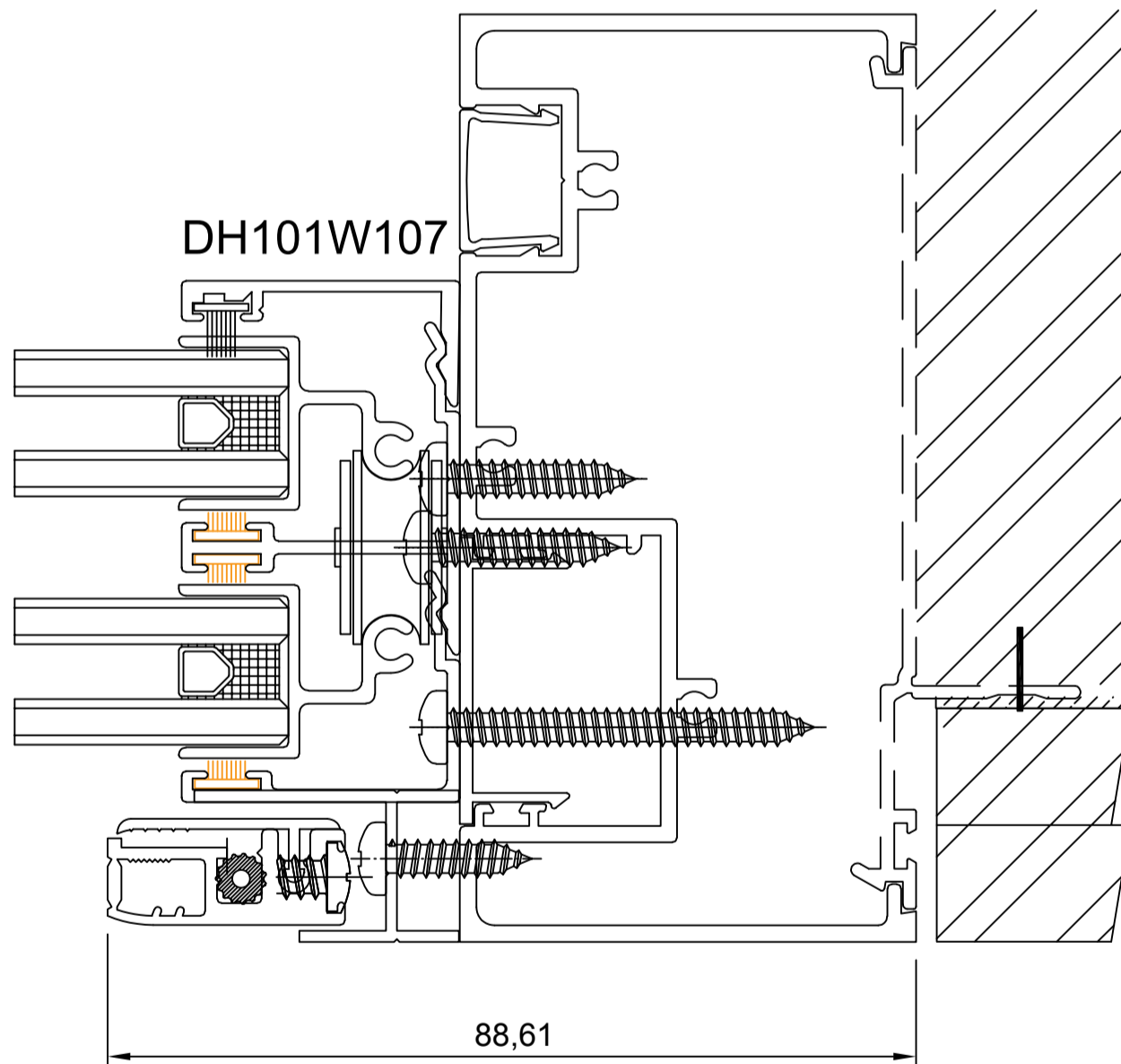
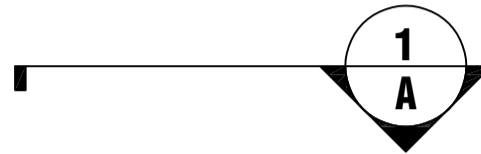
# Sashless Window(C101 Frame)

## Product Detail



# Sashless Window(C101 Frame)

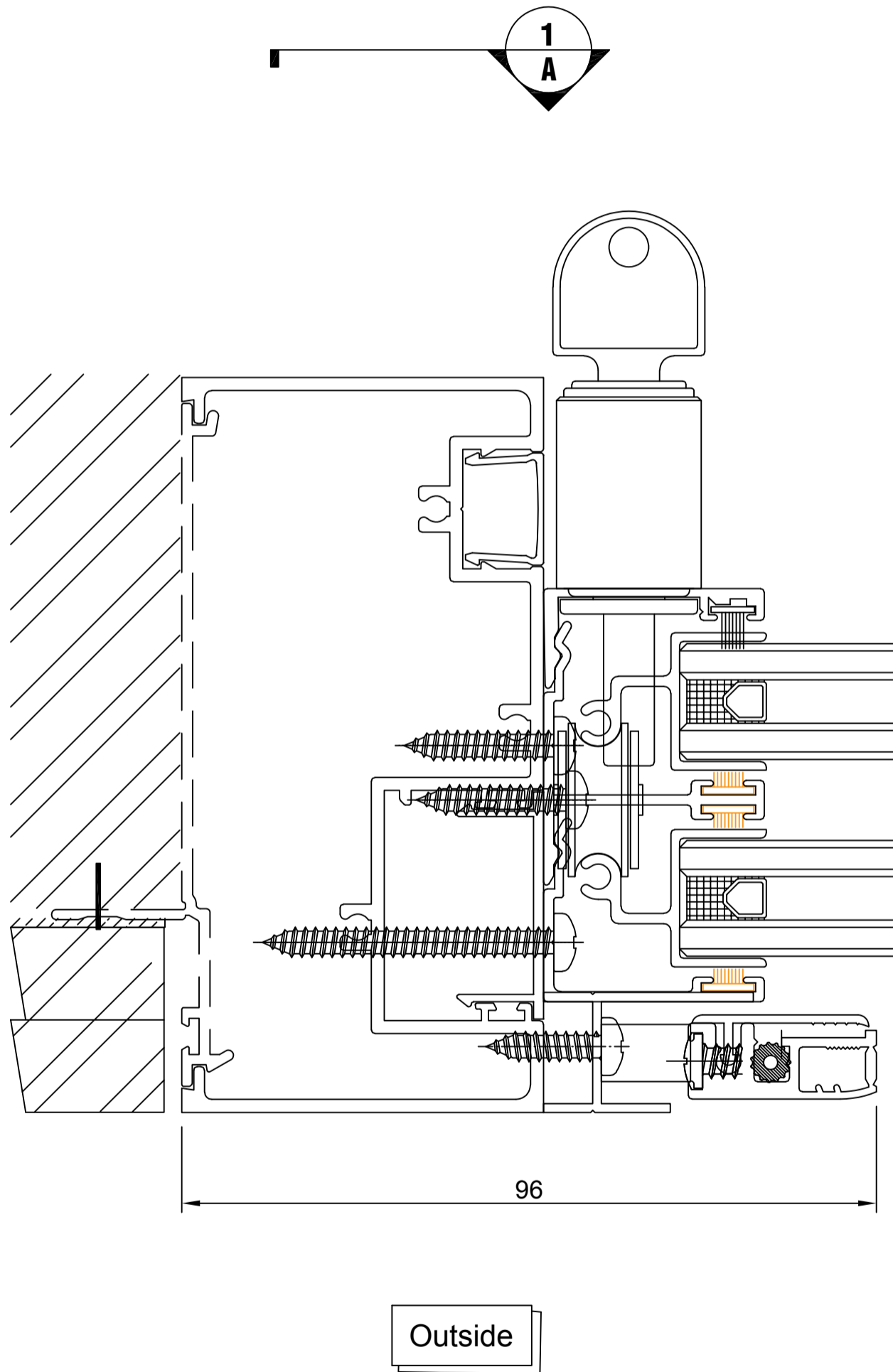
## Product Detail



Outside

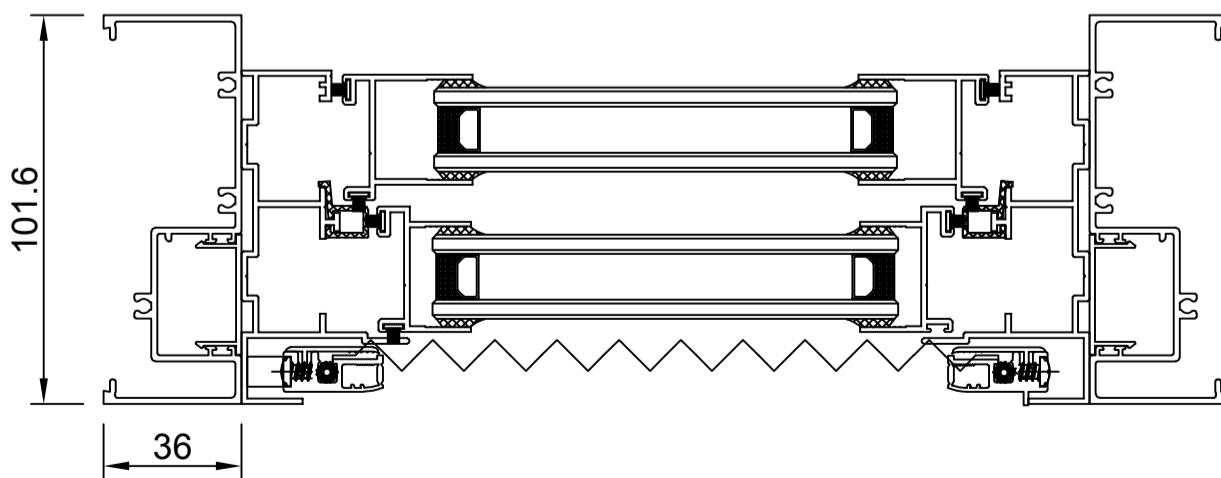
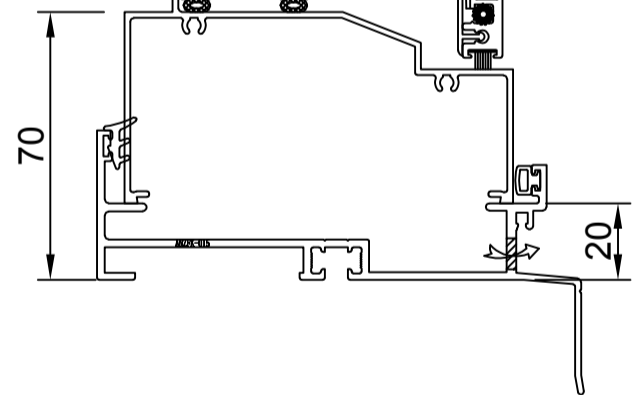
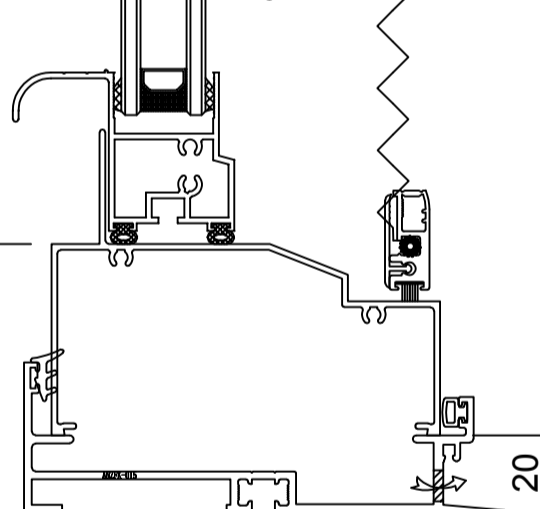
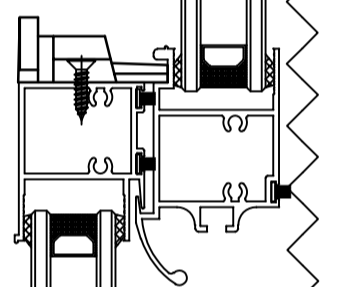
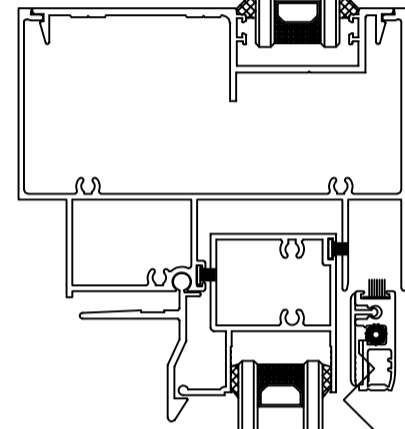
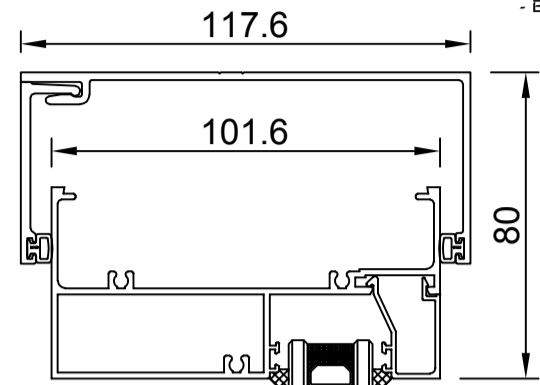
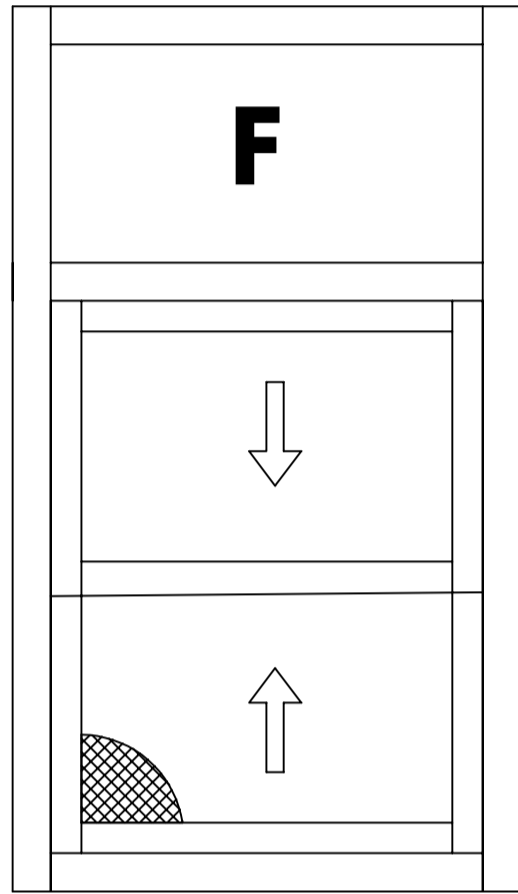
# Sashless Window(C101 Frame)

## Product Detail



# C101 Double Hung

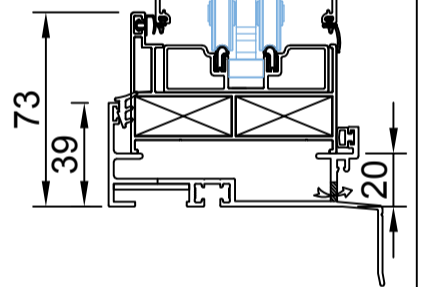
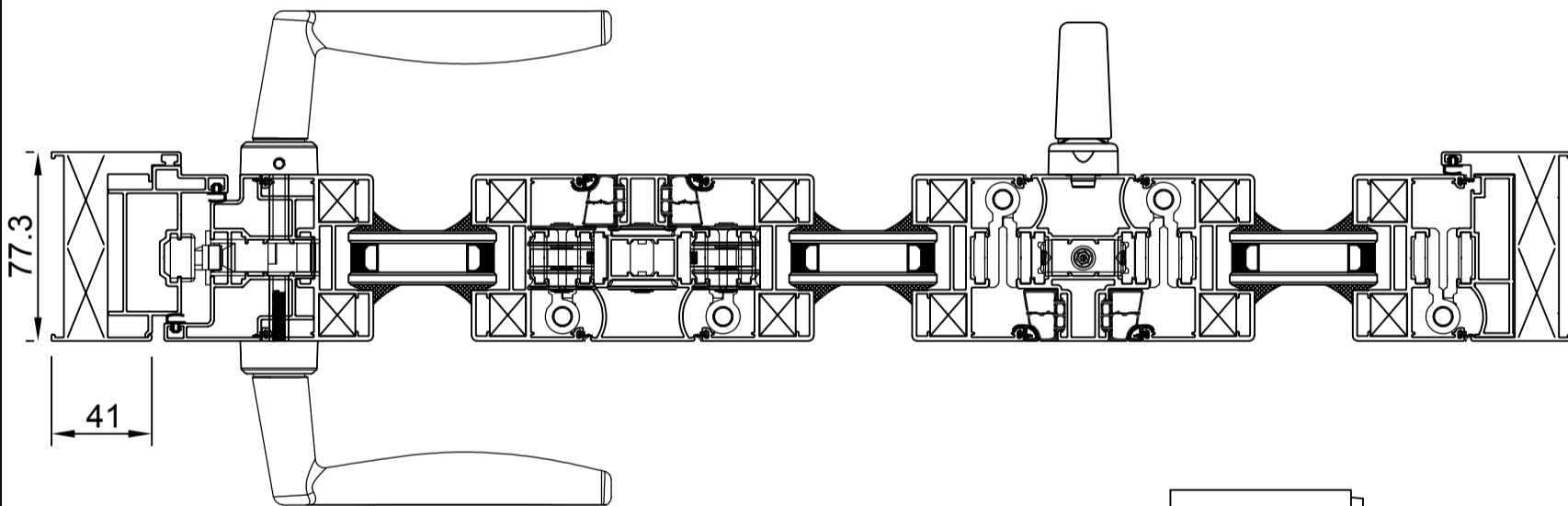
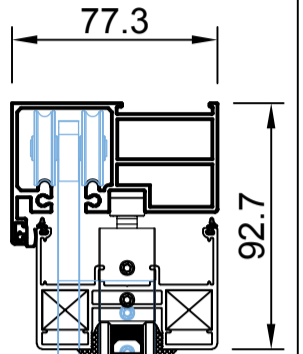
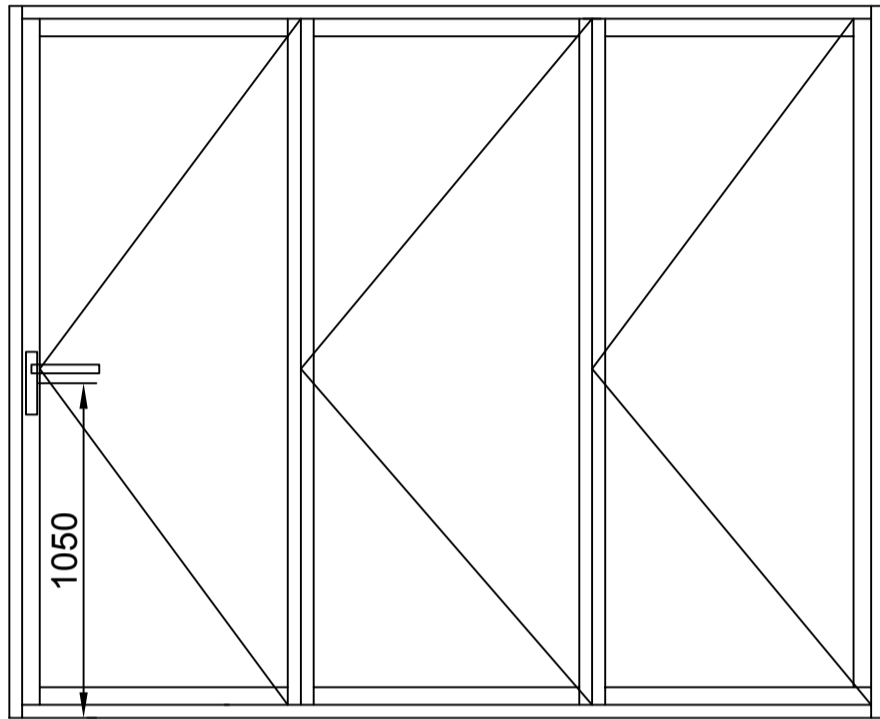
## Product Brief Introduction



Outside

# BF80 Bi-Fold Door

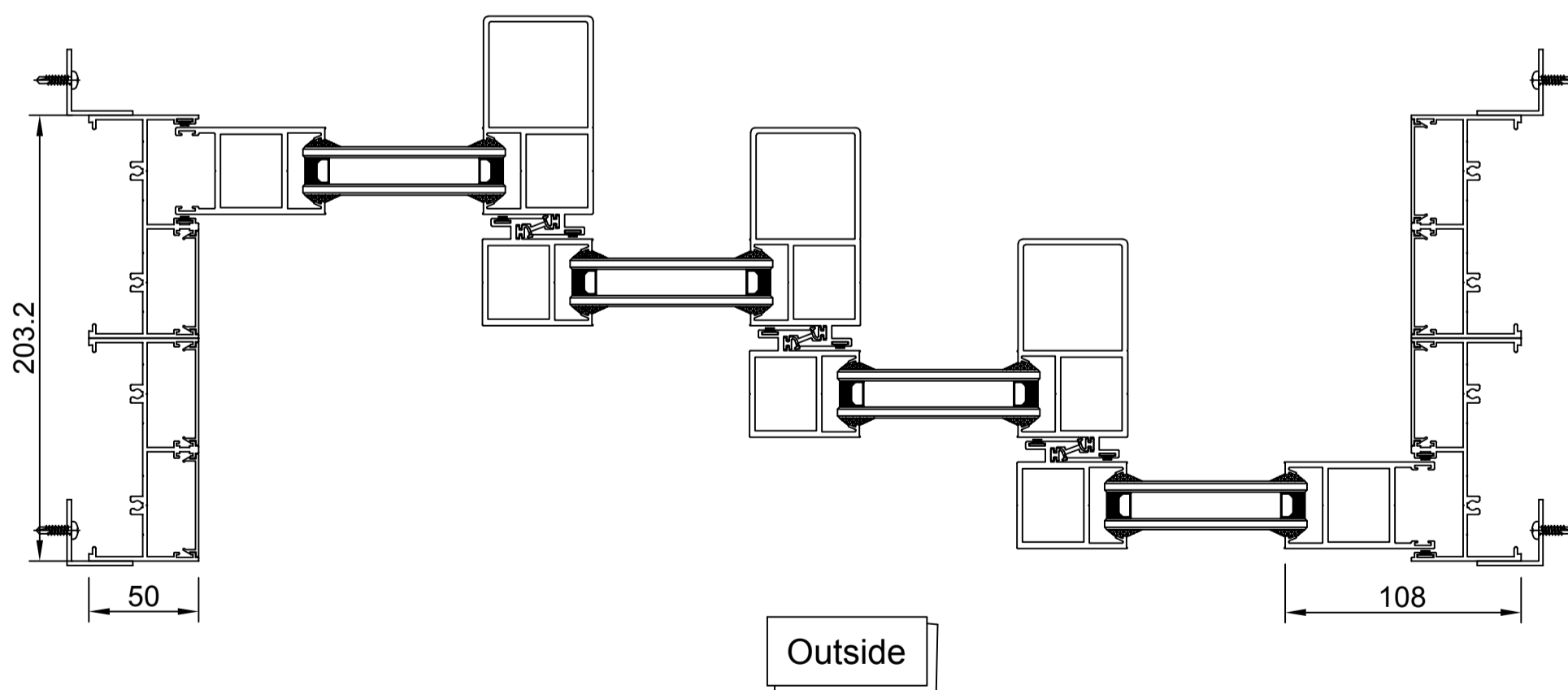
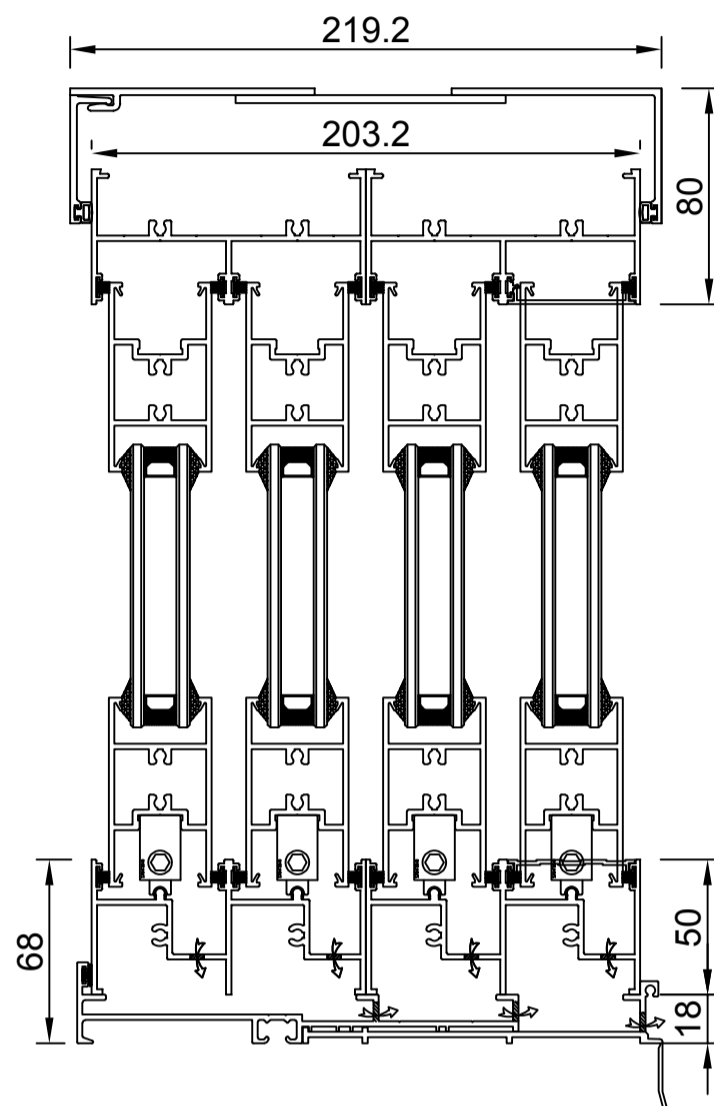
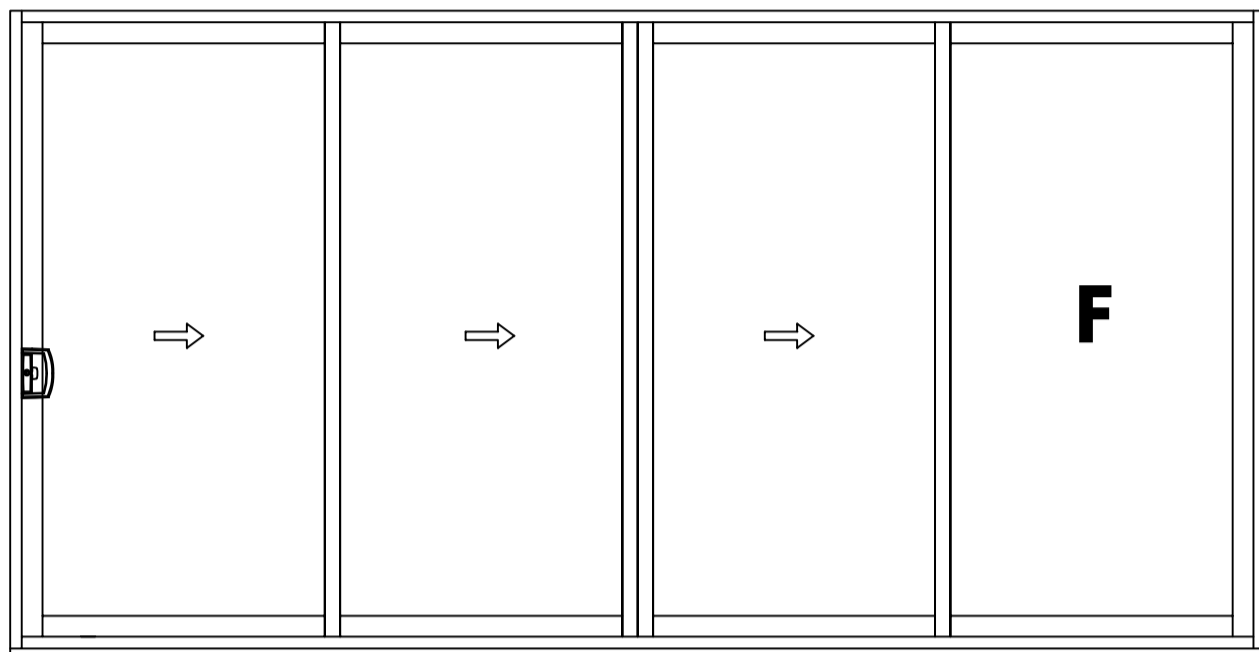
## Product Brief Introduction



Outside

# HDT150 Sliding Door

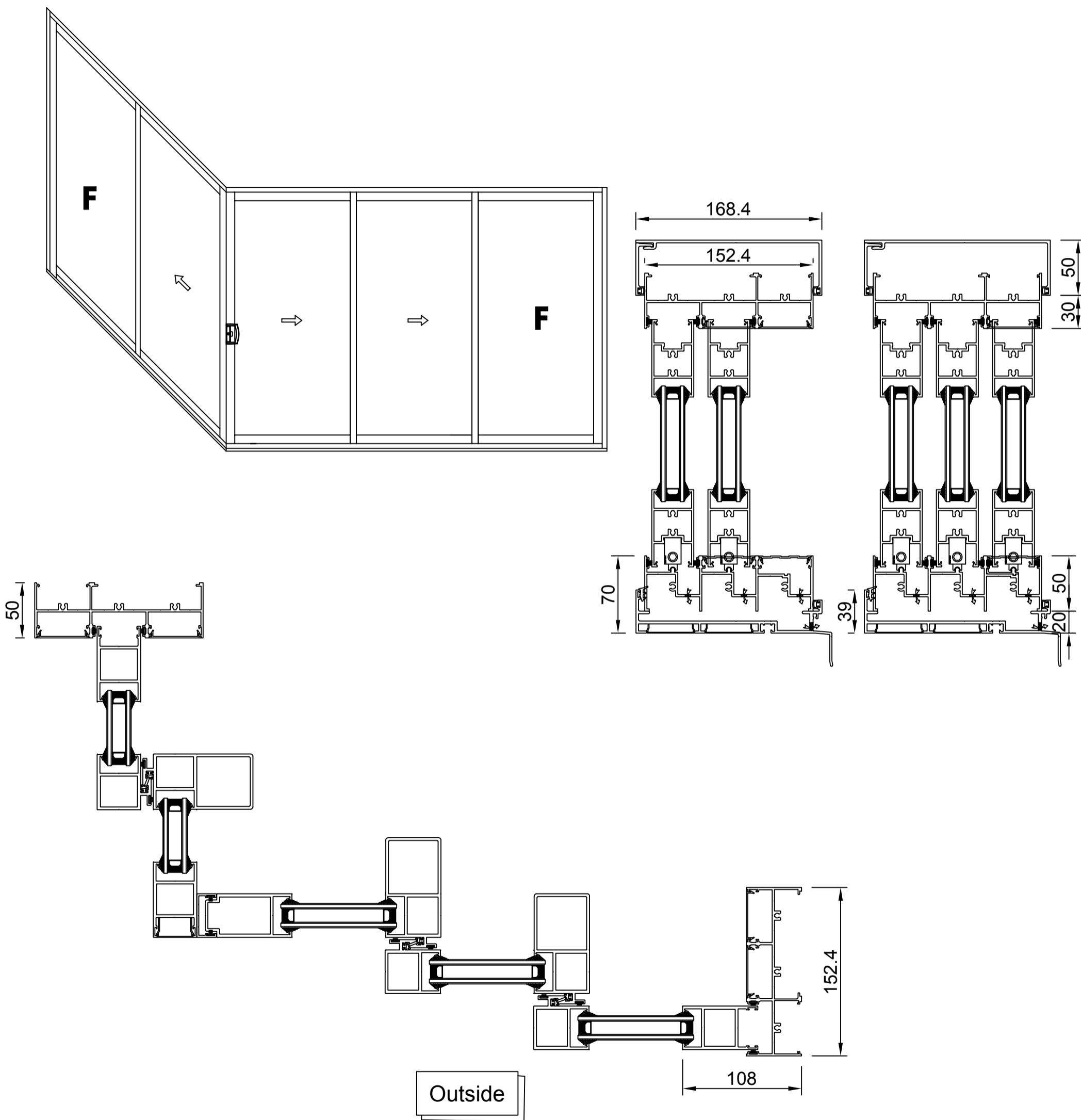
## Product Brief Introduction





# HDT150 Sliding Door

## Product Brief Introduction



# C150 Awning window+Fixed

## Product Brief Introduction

